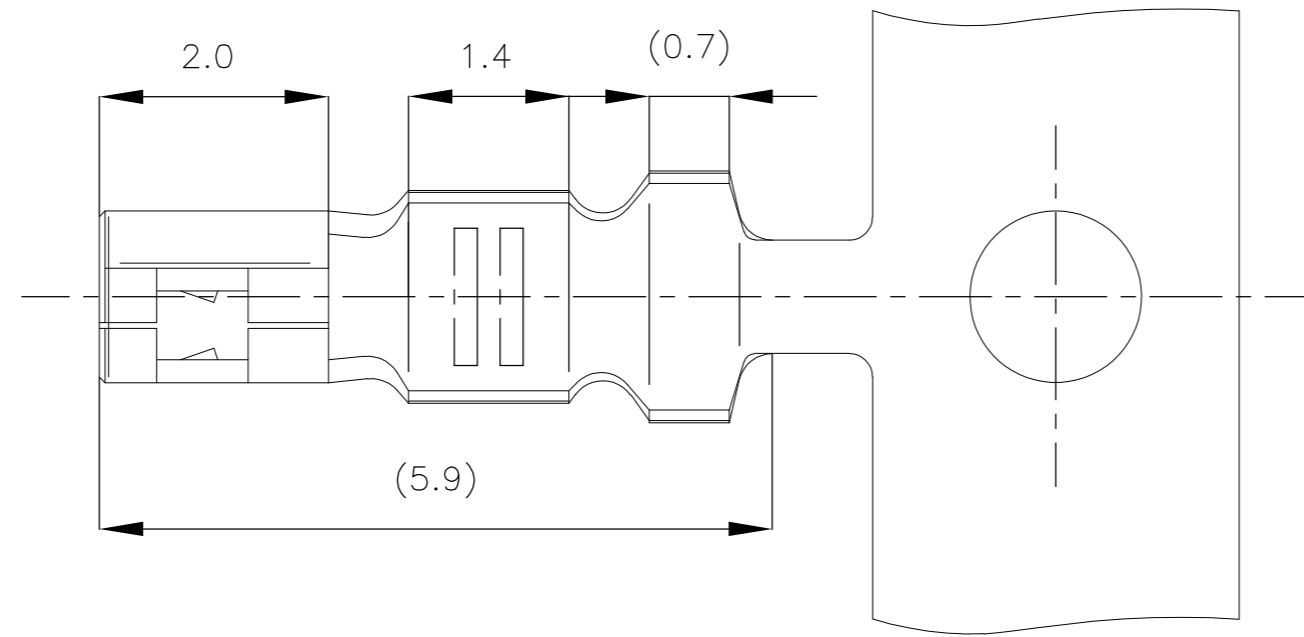
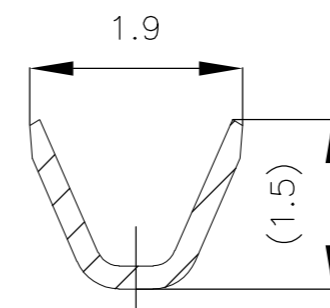
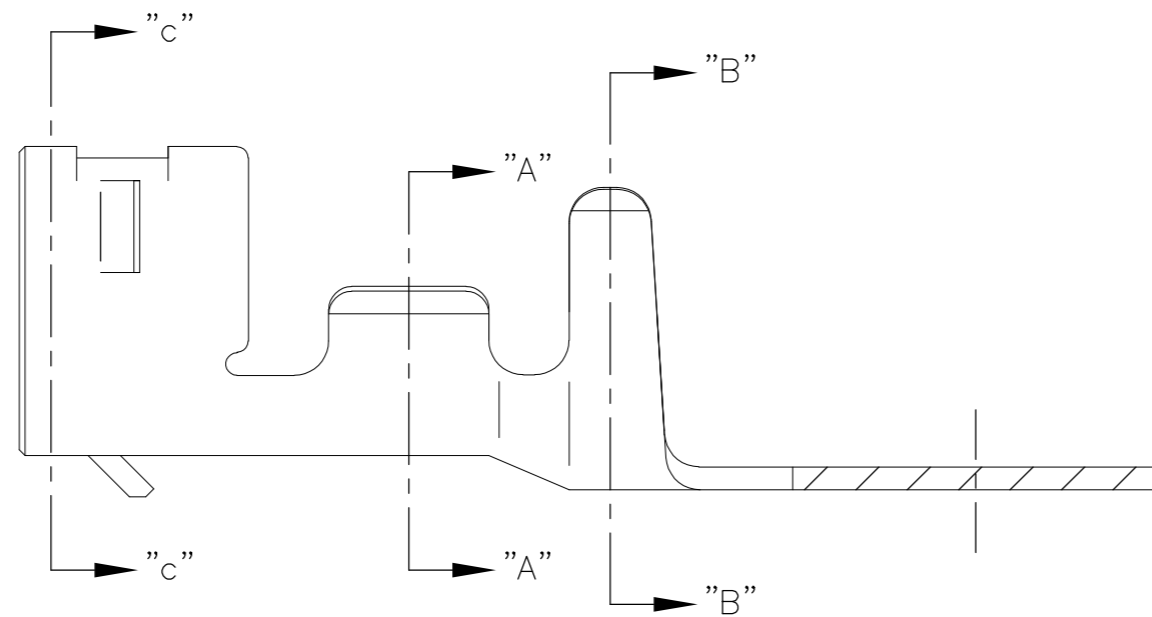
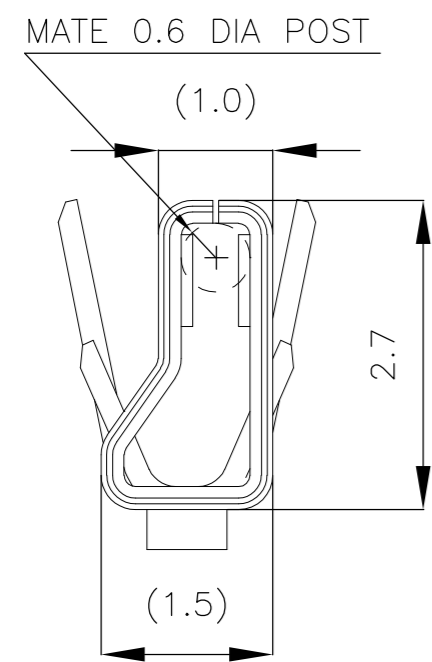


THIS DRAWING IS UNPUBLISHED. RELEASED FOR PUBLICATION  
 © COPYRIGHT - By - ALL RIGHTS RESERVED.

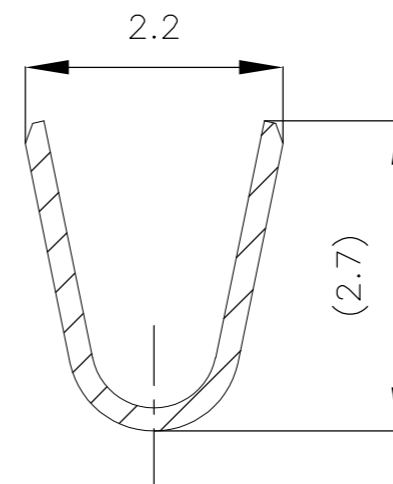
LOC	DIST	REVISIONS			
P	LTR	DESCRIPTION	DATE	DWN	APVD
ES	00	B3	REVISED PER ECO-11-005033	24MAR11	RK HMR



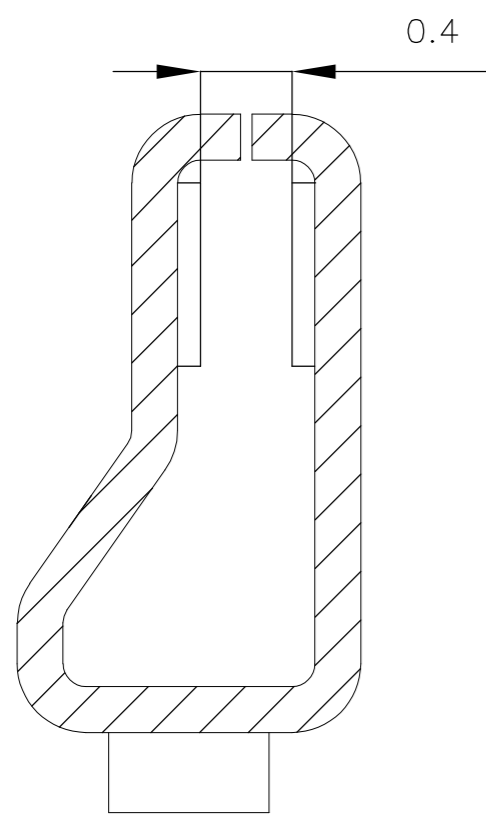
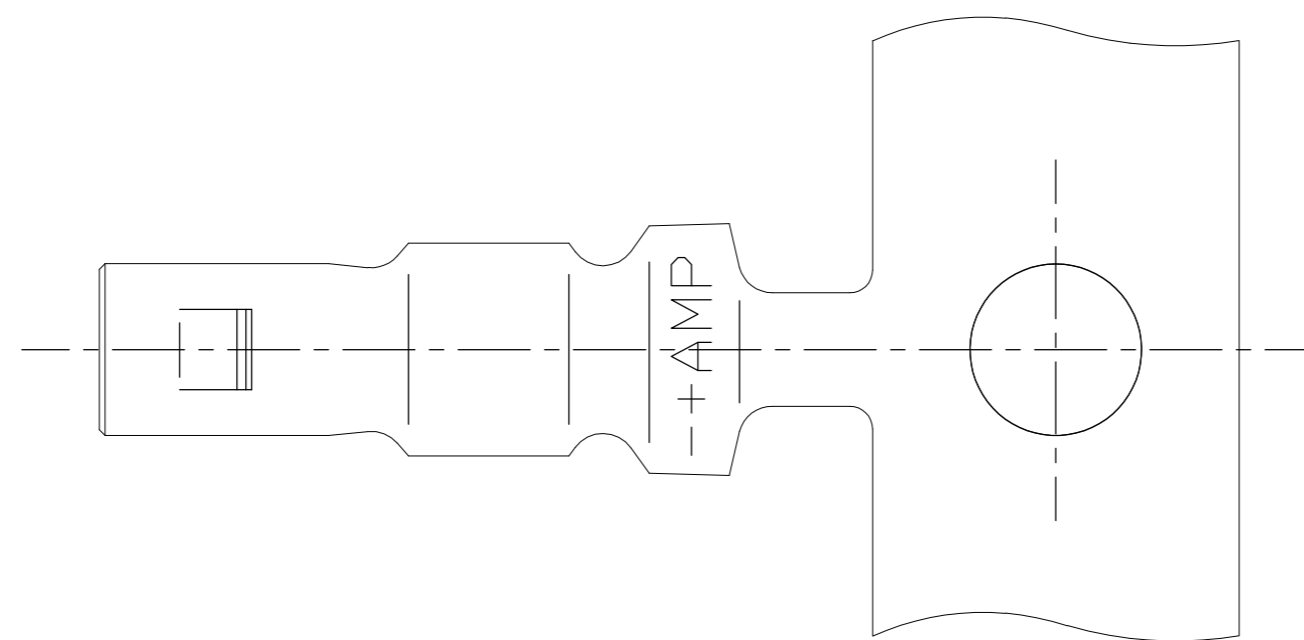
NOTES:  
 1. USE HOUSING: P/N 179228



SECT "A"- "A"



SECT "B"- "B"



SECT "C"- "C"  
 SCALE 20-1

GOLD PLT PHOSPHOR BRONZE (0.2t)	179227-4
PRE TINNED PHOSPHOR BRONZE (0.2t)	179227-1
MATERIAL & FINISH	PART NO.

GENERAL TOLERANCE  
 0 < \* ≤ 10: ±0.2  
 10 < \* ≤ 30: ±0.25  
 30 < \* ≤ 100: ±0.3  
 ANGLES: ±3°

THIS DRAWING IS A CONTROLLED DOCUMENT.		DWN T. FURUYA 12NOV93												
DIMENSIONS: mm		CHK S. KUBOUCHI 15NOV93												
TOLERANCES UNLESS OTHERWISE SPECIFIED		APVD S. KUBOUCHI 15NOV93												
<table border="1"> <tr><td>0 PLC</td><td>±</td></tr> <tr><td>1 PLC</td><td>± -</td></tr> <tr><td>2 PLC</td><td>± -</td></tr> <tr><td>3 PLC</td><td>± -</td></tr> <tr><td>4 PLC</td><td>± -</td></tr> <tr><td>ANGLES</td><td>± -</td></tr> </table>		0 PLC			±	1 PLC	± -	2 PLC	± -	3 PLC	± -	4 PLC	± -	ANGLES
0 PLC	±													
1 PLC	± -													
2 PLC	± -													
3 PLC	± -													
4 PLC	± -													
ANGLES	± -													
MATERIAL SEE TABLE		FINISH SEE TALBE	PRODUCT SPEC 108-60029	APPLICATION SPEC 114-5179	SIZE A2	CAGE CODE 00779	DRAWING NO. C=179227	RESTRICTED TO						
CUSTOMER DRAWING		SCALE NTS	SHEET 1 of 1	REV B3										