

Coding profile - CP-DMC 1,5 NAT - 1790647

Please be informed that the data shown in this PDF Document is generated from our Online Catalog. Please find the complete data in the user's documentation. Our General Terms of Use for Downloads are valid (<http://phoenixcontact.com/download>)

Coding profile, for insertion between the coding ribs of the connector and the header following the reflow soldering process, insulating material, color: natural



Key Commercial Data

Packing unit	1 STK
Minimum order quantity	60 STK
GTIN	 4 046356 622318
GTIN	4046356622318
Weight per Piece (excluding packing)	0.670 g
Custom tariff number	39269097
Country of origin	Germany

Technical data

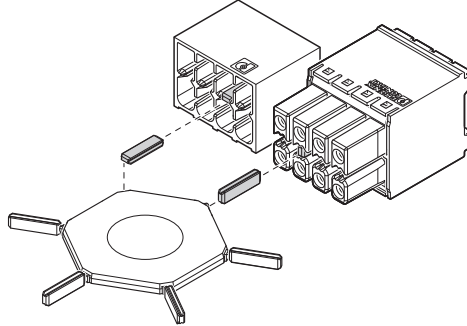
Environmental Product Compliance

China RoHS	Environmentally friendly use period: unlimited = EFUP-e
	No hazardous substances above threshold values

Drawings

Coding profile - CP-DMC 1,5 NAT - 1790647

Schematic diagram



Classifications

eCl@ss

eCl@ss 4.0	272607xx
eCl@ss 4.1	27260701
eCl@ss 5.0	27260701
eCl@ss 5.1	27260701
eCl@ss 6.0	27260704
eCl@ss 7.0	27440490
eCl@ss 8.0	27449203
eCl@ss 9.0	27440392

ETIM

ETIM 4.0	EC002498
ETIM 5.0	EC002311

UNSPSC

UNSPSC 6.01	30211810
UNSPSC 7.0901	39121409
UNSPSC 11	39121409
UNSPSC 12.01	39121409
UNSPSC 13.2	39121410