

THROTTLE ASSEMBLY



CURTIS

MODEL WW



DESCRIPTION

Model WW is a long life 0-5k Ω wig-wag throttle which provides an output for motion in both directions. The conductive plastic element in conjunction with unique wiper and shaft support design provides a durable throttle with longer mechanical cycle life.

APPLICATION

Curtis Model WW is specifically designed for mobility aids applications which utilize a wig-wag throttle.

ORDER CODES

Type	Output Voltage Range	Spring Torque	Part No.
WW-1	<5%...>95%Vs	20Ncm \pm 3Ncm	17679700-0001
WW-2	<5%...>95%Vs	33Ncm \pm 3Ncm	17679700-0002

FEATURES

- Long cycle life (>3,000,000).
- Self contained & compact package.
- Easy mechanical installation.
- Easy electrical connections.
- No mechanical adjustments.
- No electrical calibrations.
- Easy actuating lever orientation.
- Positive actuating lever attachment.

ELECTRICAL CHARACTERISTICS

- Resistance value, Rtot: 5k Ω .
- Resistance tolerance: \pm 10%.
- Wiper mid position: 1/2 Vs \pm 5%.
- Insulation resistance: 1000 M Ω .
- Dielectric strength: 500 V DC.
- Power dissipation: 0.2 W at 40° C.
- Maximum supply voltage Vs: 30 VDC.
- Maximum wiper current: 1 mA.
- Recommended wiper current: 1 mA.

MECHANICAL CHARACTERISTICS

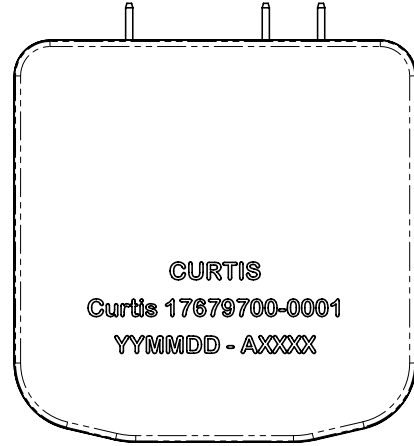
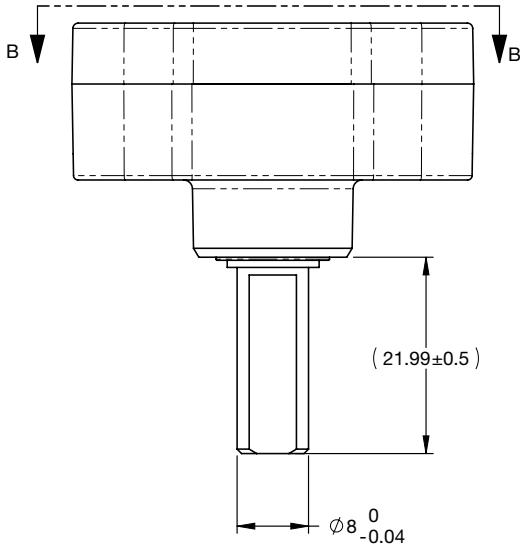
- Mechanical angle: \pm 20° (40° in total).
- Lifetime: 3 million movements.
- End stop maximum: 300Ncm.
- Shaft load Axial: max. 100g.
- Weight: 50g.

ENVIRONMENTAL SPECIFICATIONS

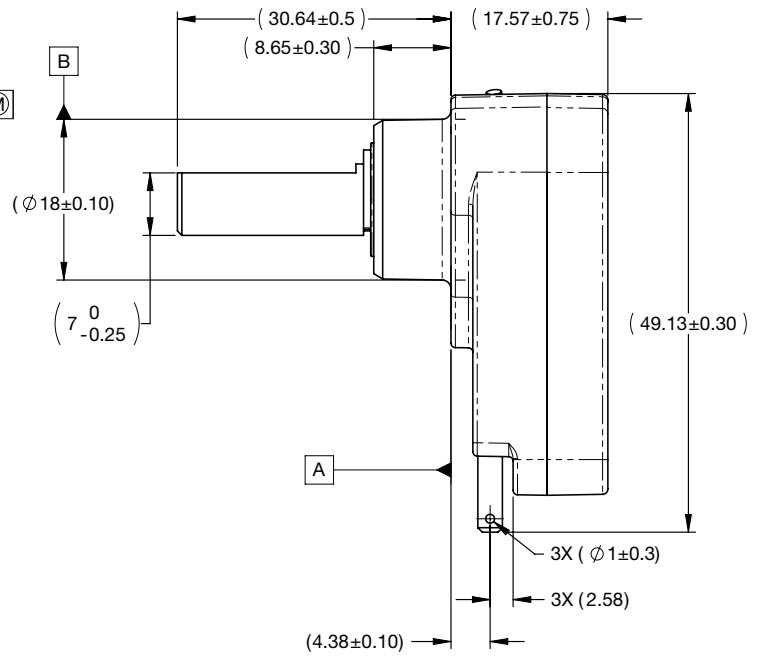
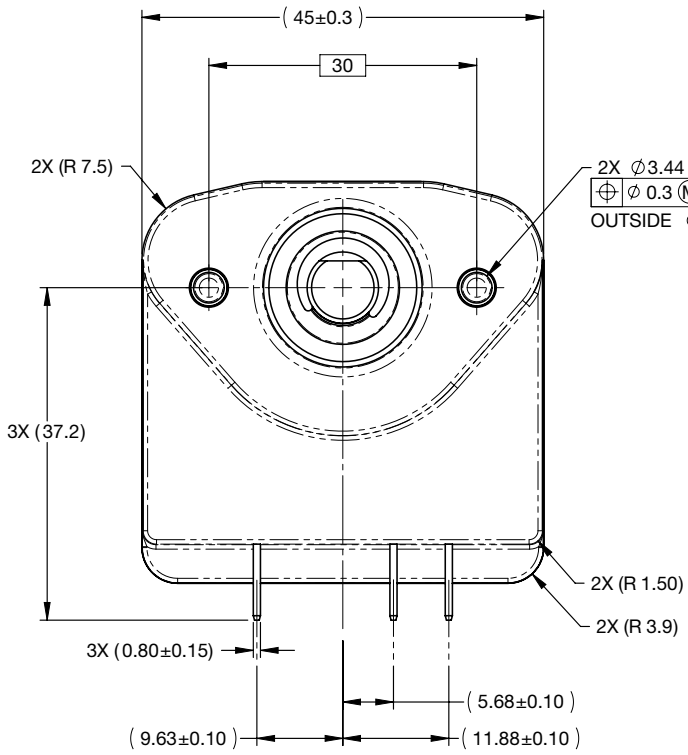
- Temperature range: -25° to +75° C.
- IP65 Sealed Shaft.

MODEL WW

DIMENSIONS mm (in)

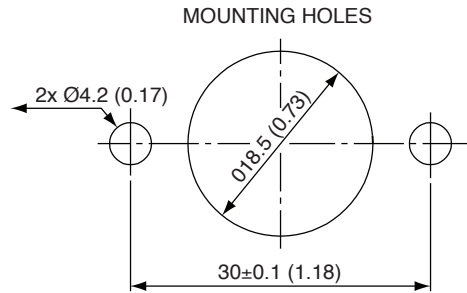


VIEW B-B

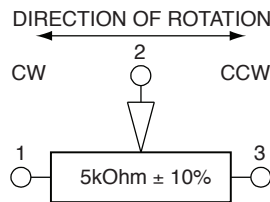


MODEL WW

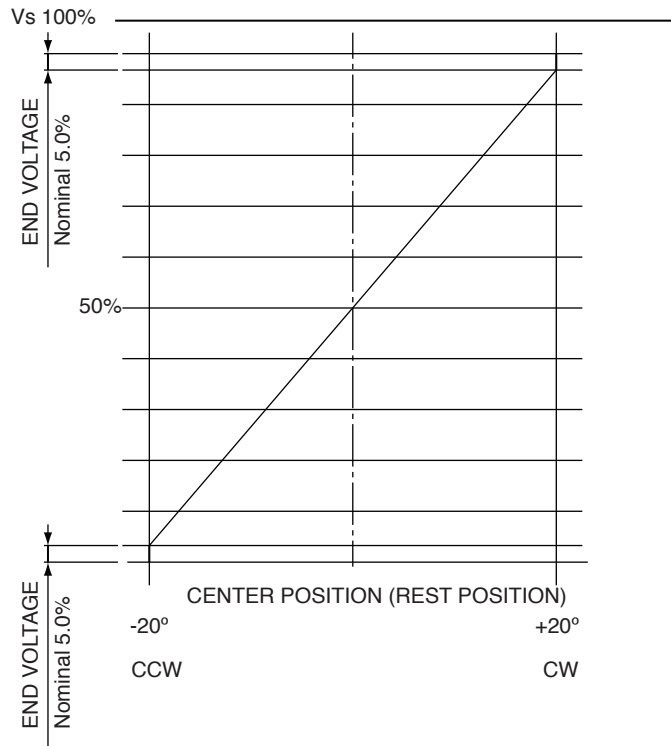
MOUNTING DIMENSIONS mm (in)



Mounting Plate thickness: 1–3mm (0.0–0.12 in)
Mounting torque: 1.5Nm



VOLTAGE OUTPUT



PREFERRED MOUNTING ORIENTATION Shaft vertical pointing down.

WARRANTY Two Year Limited Warranty from time of delivery.

