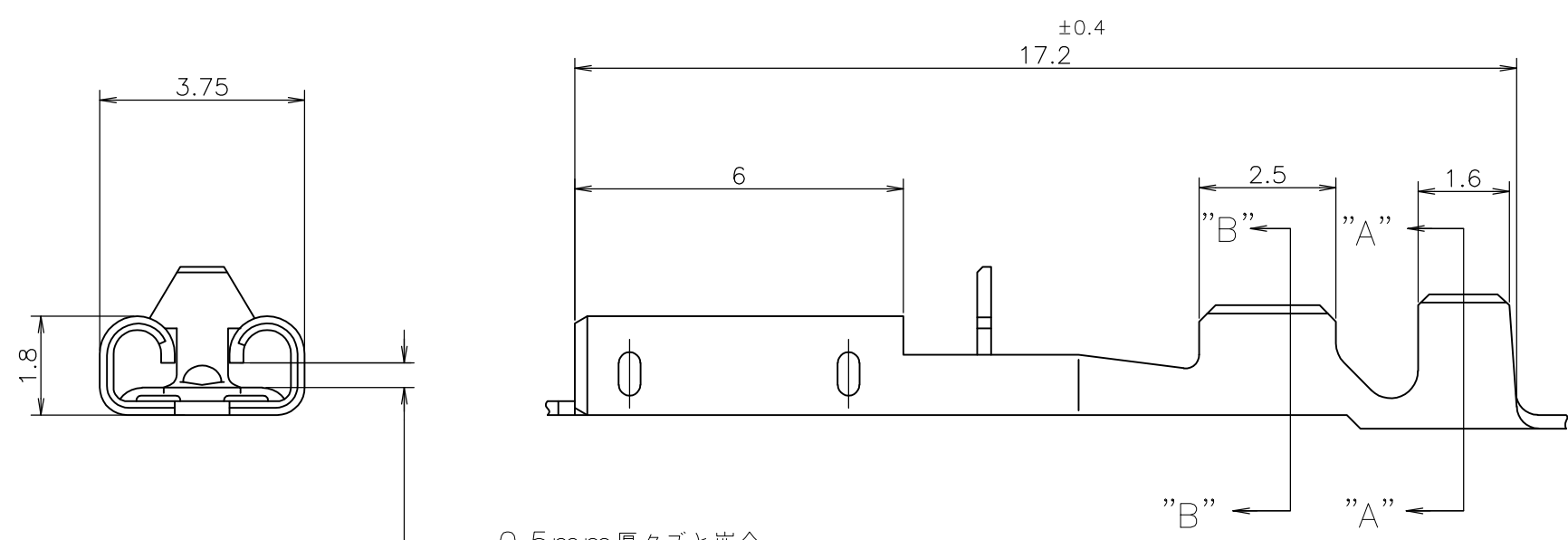
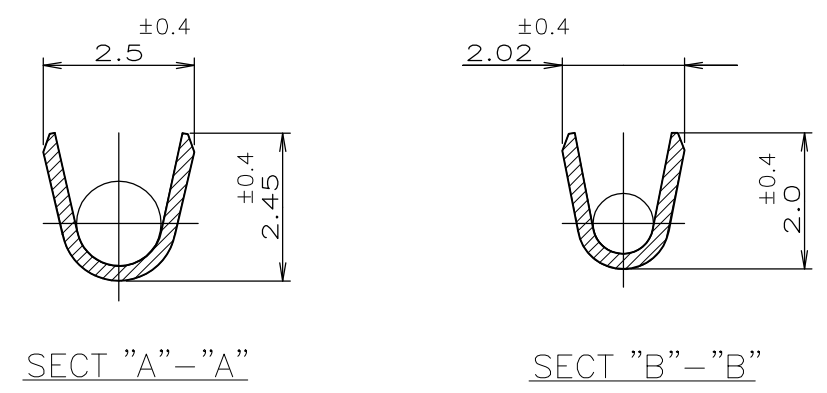
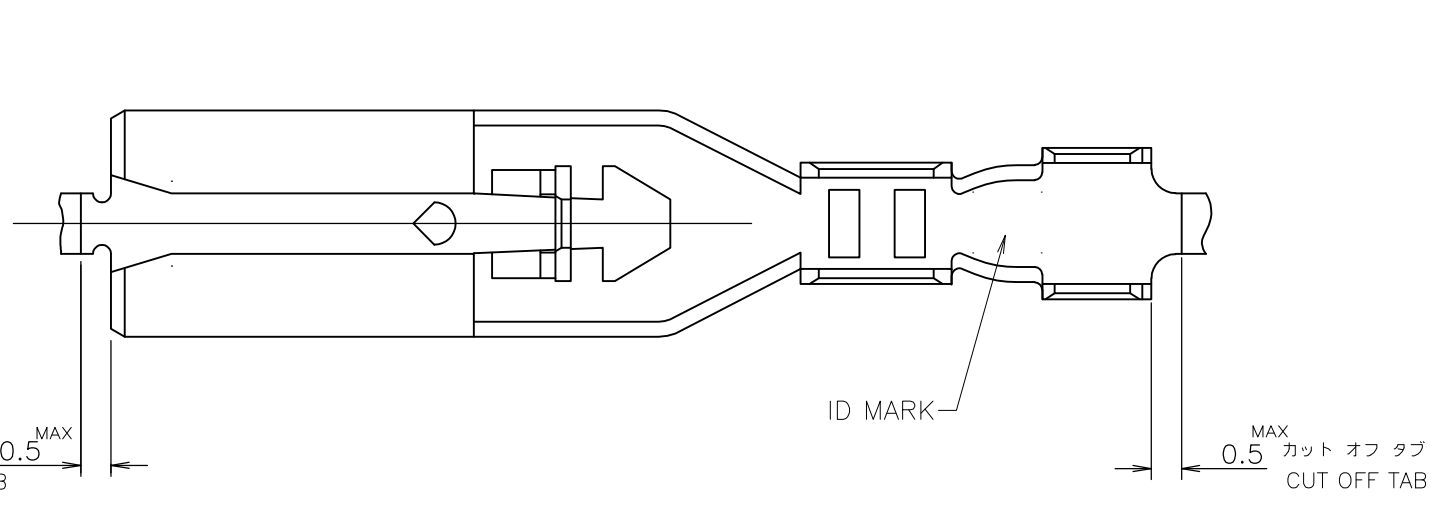


THIS DRAWING IS UNPUBLISHED. RELEASED FOR PUBLICATION
 © COPYRIGHT - By - ALL RIGHTS RESERVED.

LOC	DIST	REVISIONS					
J	-	変更					
		P	LTR	DESCRIPTION	DATE	DWN	APVD
			F2	REVISED PER ECO-11-005030	11MAR11	RK	HMR



0.5mm厚タブと嵌合
 MATE WITH 0.5mm THK. TAB

- 注
- 適用ハウジング型番 : 174779-1
 - 適用アプリケーション型番 : 909101-2
 - バラ状端子型番 : 表参照

- NOTES
- HOUSING P/N : 174779-1
 - APPLICATER P/N : 909101-2
 - LOOSE PIECE P/N : SEE TABLE
- △ OBSOLETE PARTS: OBSOLETE CIS STREAMLINING PER D.RENAUD/D.SINISI

#	めっきなし・黄銅 PLAIN BRASS	175411-5
175412-2	錫めっき済黄銅 PRE-TIN PHOS BRO	△175411-2
175412-1	錫めっき済黄銅 PRE-TIN BRASS	175411-1
バラ状・型番 LOOSE PIECE P/N	材料 MATERIAL	型番 P/N

WIRE RANGE 総合電線断面積 AWG #24~#20 INSULATION DIA 被覆外径 ϕ1.02~ϕ1.78

THIS DRAWING IS A CONTROLLED DOCUMENT.		DWN M.SUZUKI 27FEB08
DIMENSIONS: 単位: 耗 mm		CHK S.MANABE 27FEB08
TOLERANCES UNLESS OTHERWISE SPECIFIED: 一般公差		APVD S.MANABE 27FEB08
0 PLC ± 0.2		PRODUCT SPEC 製品規格 108-5252
1 PLC ± 0.25		APPLICATION SPEC 取付適用規格 114-5120
2 PLC ± 0.3		WEIGHT 0.244g
3 PLC ± 0.3		
4 PLC ±		
ANGLES ± 3DEG		
MATERIAL 材料 SHEE TABLE	FINISH 仕上 SHEE TABLE	

STE TE Connectivity			
NAME 名称 110SERIES POSITIVE LOCK REC. CONTACT			
SIZE A3	CAGE CODE 00779	DRAWING NO 番号 C-175411	RESTRICTED TO -
CUSTOMER DRAWING		SCALE 尺度 8:1	SHEET 1 OF 1 REV F2