

**PLEASE CHECK WWW.MOLEX.COM FOR LATEST PART INFORMATION**

**Part Number:** [1727040190](#)  
**Status:** **Active**  
**Overview:** [FCT D-Sub Connectors](#)  
**Description:** FCT High Power Contact, Female, Right-Angle, PCB Through Hole, 0.80µm Gold Plating, 40.0A, 5.08mm Four Pronged Footprint

**Documents:**

[RoHS Certificate of Compliance \(PDF\)](#)

**General**

Product Family	D-Sub Products
Series	<a href="#">172704</a>
Brochure Order No	987651-9941
Contact Type	High Power
Exclude SD Check	Yes
Overview	<a href="#">FCT D-Sub Connectors</a>
Product Category	Contacts
Product Name	FCT Products
UPC	889056062664

**Physical**

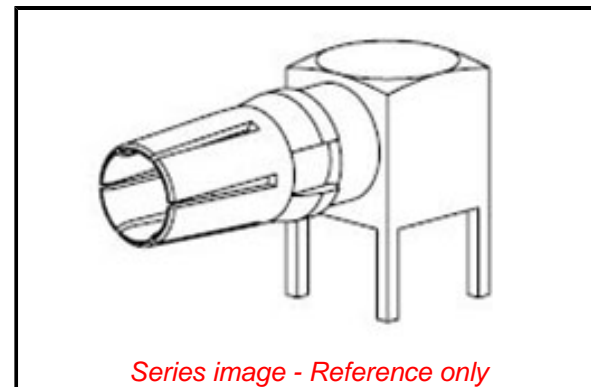
Durability (mating cycles max)	500
Gender	Female
Material - Contact	Copper Alloy
Material - Plating Mating	Gold over Nickel
Material - Plating Termination	Tin over Nickel
Material - Retaining Clip	Copper Alloy
Net Weight	2.500/g
Orientation	Right-Angle
Packaging Type	Bag
Plating min - Mating	0.800µm
Plating min - Termination	5.000µm
Temperature Range - Operating	-55° to +155°C
Termination Interface: Style	Through Hole

**Electrical**

Current - Maximum per Contact	40.0A
-------------------------------	-------

**Material Info**

Engineering Number	FMP012S104
--------------------	------------



*Series image - Reference only*

**EU ELV**

**Not Relevant**

**EU RoHS**

**Not Relevant**

**REACH SVHC**

Not Relevant

**Halogen-Free**

**Status**

**Not Relevant**

For more information, please visit [Contact US](#)

China ROHS

Not Relevant

ELV

Not Relevant

RoHS Phthalates

Not Relevant

**Search Parts in this Series**

[172704](#) Series

**Use With**

FCT Mixed Layout Connectors