

**PLEASE CHECK WWW.MOLEX.COM FOR LATEST PART INFORMATION**

**Part Number:** [1727040128](#)  
**Status:** **Active**  
**Description:** FCT Coaxial Contact, Male, Straight, Crimp Cable Termination, 75 Ohms, 1.30µm Gold Plating, for RG-179BU or RG-187AU Cable

**Documents:**

[RoHS Certificate of Compliance \(PDF\)](#)

**General**

Product Family	D-Sub Products
Series	<a href="#">172704</a>
Brochure Order No	987651-9941
Cable Attachment	Crimp
Contact Type	Coaxial Contact
Exclude SD Check	Yes
Impedance	75Ω
Product Category	Special Contacts
Product Name	FCT Products
UPC	889056020398
Wire/Cable Type	RG-179BU, RG-187AU

**Physical**

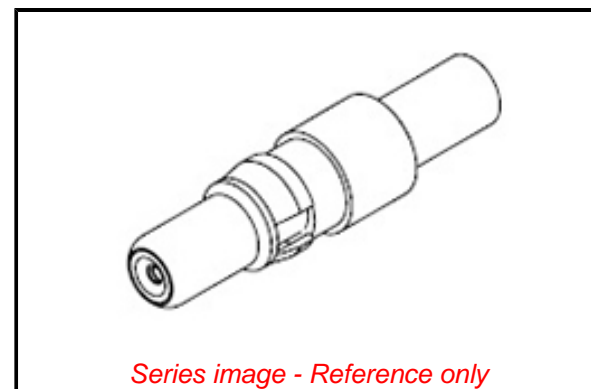
Durability (mating cycles max)	200
Gender	Male
Material - Contact	Copper Alloy
Material - Plating Mating	Gold
Net Weight	0.001/g
Orientation	Straight
Packaging Type	Bag
Temperature Range - Operating	-55° to +135°C

**Electrical**

Current - Maximum per Contact	2.0A
-------------------------------	------

**Material Info**

Engineering Number	FMS002P102
--------------------	------------



*Series image - Reference only*

**EU ELV**

**Not Relevant**

**EU RoHS**

**Not Reviewed**

**REACH SVHC**

Not Reviewed

**Halogen-Free**

**Status**

**Not Reviewed**

For more information, please visit [Contact US](#)

China ROHS

Not Reviewed

ELV

Not Relevant

RoHS Phthalates

Not Reviewed

**China RoHS**

**Search Parts in this Series**

[172704](#) Series

**Use With**

FCT Mixed Layout