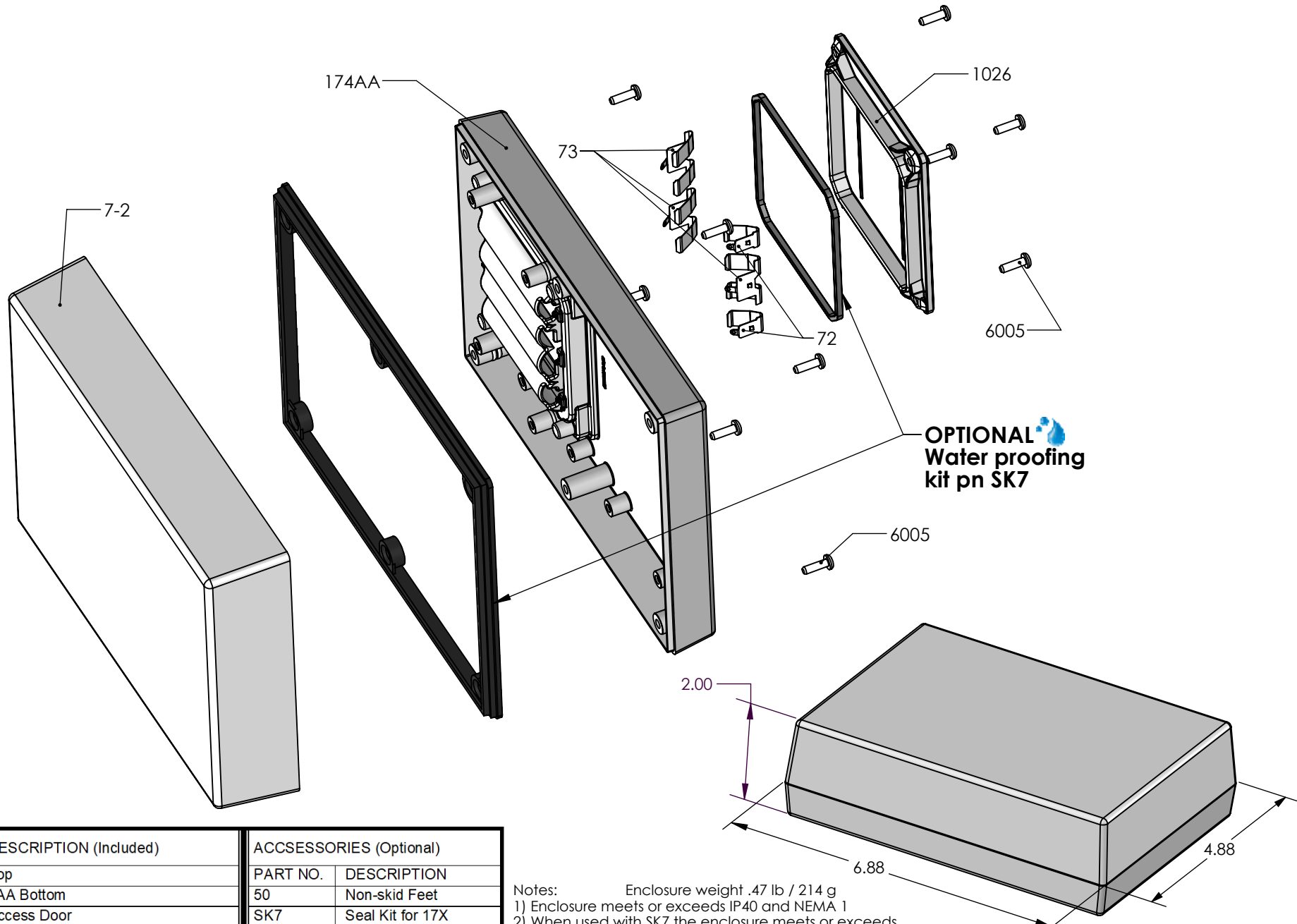


# SERPAC 1724AA (exploded isometric)

Electronic Enclosures



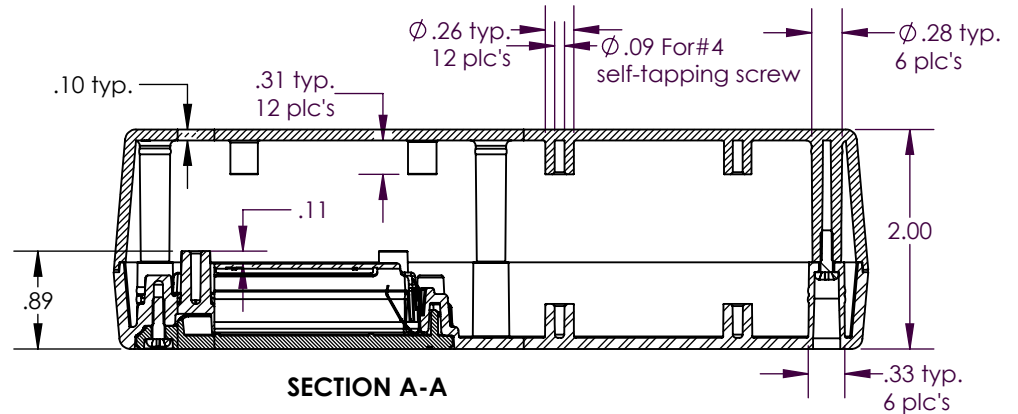
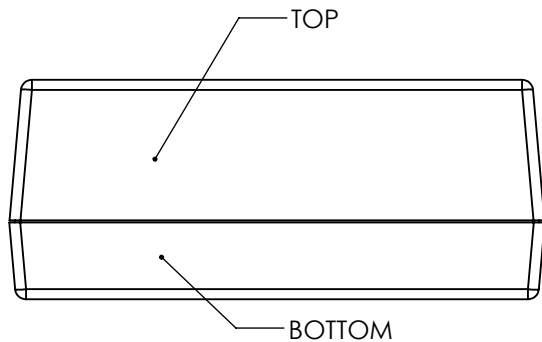
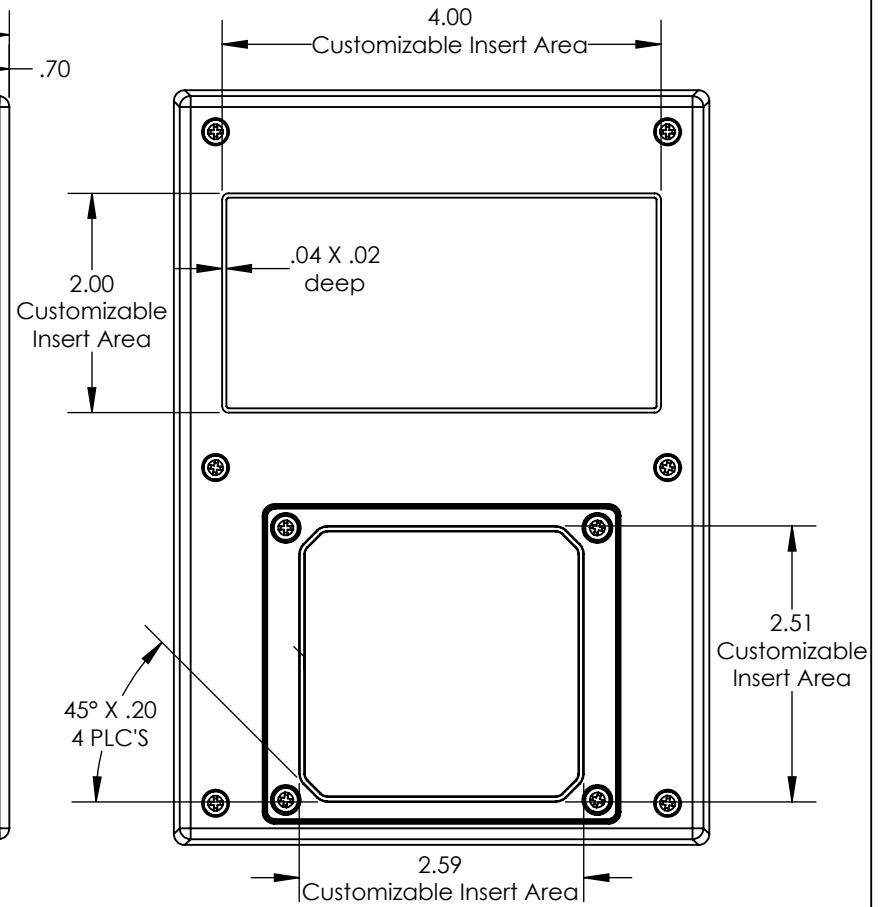
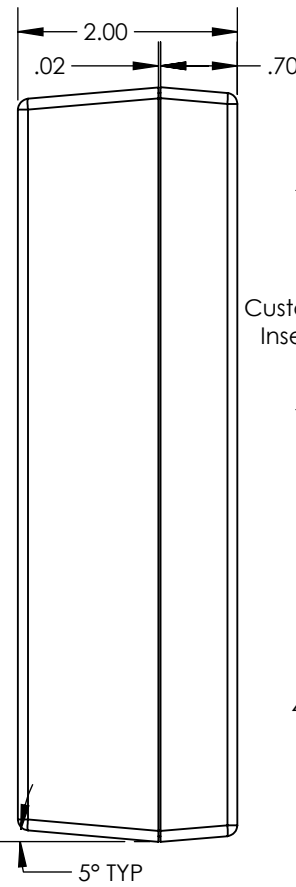
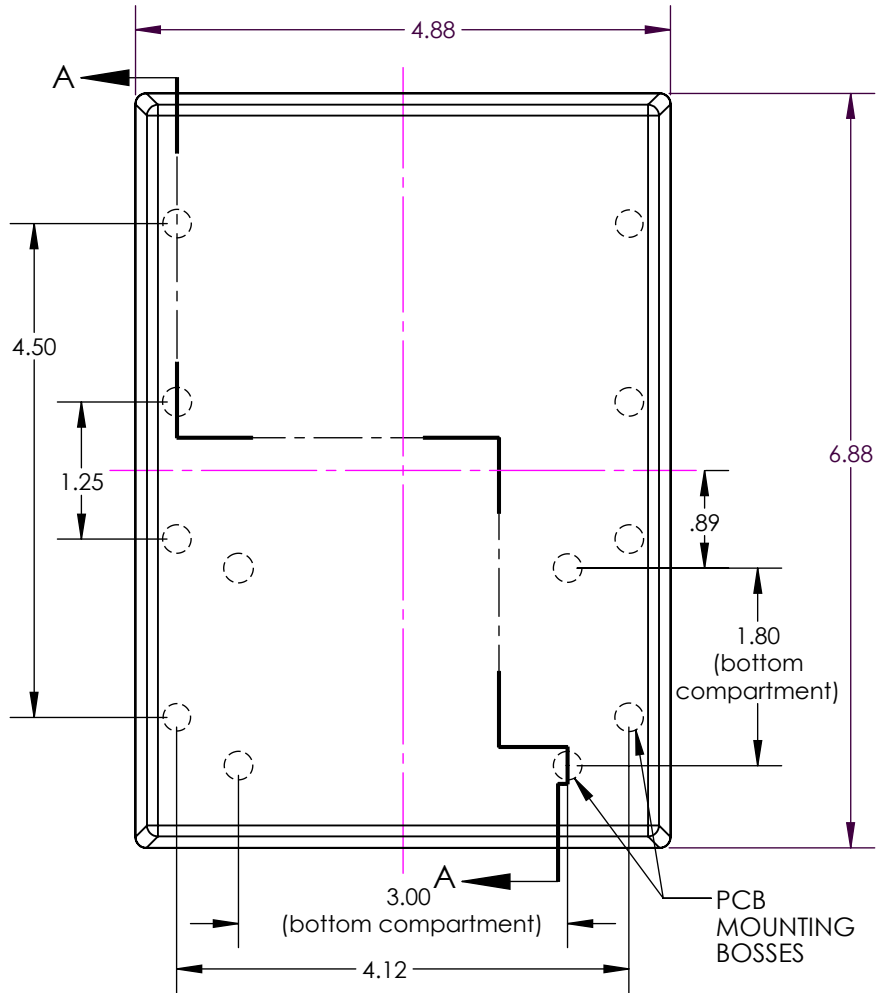
**OPTIONAL**  
Water proofing  
kit pn SK7

PART NO.	DESCRIPTION (Included)	ACCESSORIES (Optional)	
7-2	Top	PART NO.	DESCRIPTION
174AA	4AA Bottom	50	Non-skid Feet
1026	Access Door	SK7	Seal Kit for 17X
6005	#4X3/8" Self-Tapping Screw (10)		
72	Single Battery contact (2)		
73	Double Battery contact (3)		

Notes: Enclosure weight .47 lb / 214 g  
 1) Enclosure meets or exceeds IP40 and NEMA 1  
 2) When used with SK7 the enclosure meets or exceeds IP 67 and NEMA 4X, 12 and 13 MIL-STD-810G 506.5 (.03 lb / 14 g)  
 3) Circuit Board drawings see sheet 3.  
 4) All components are RoHS Compliant.

# SERPAC 1724AA

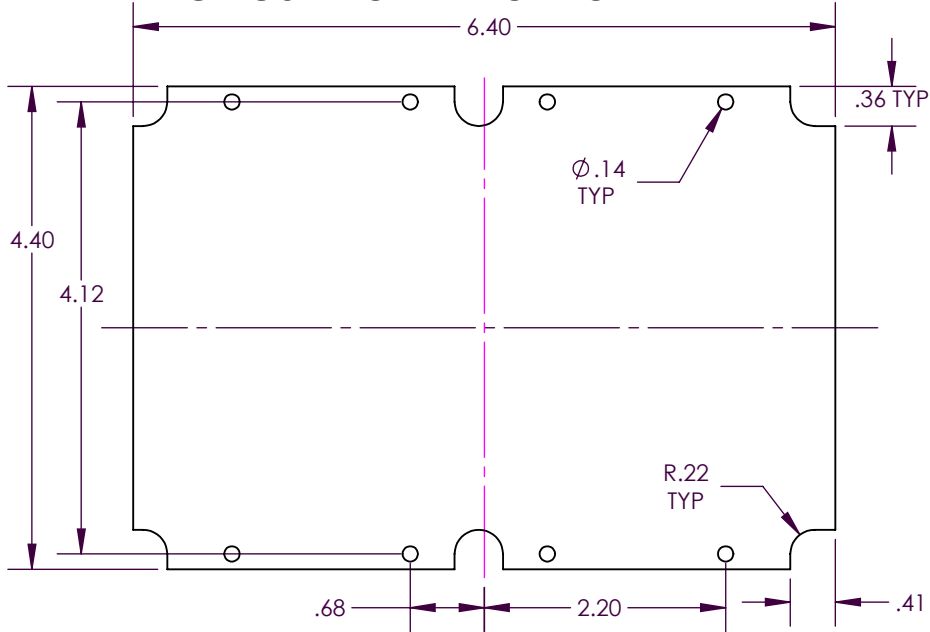
Electronic Enclosures



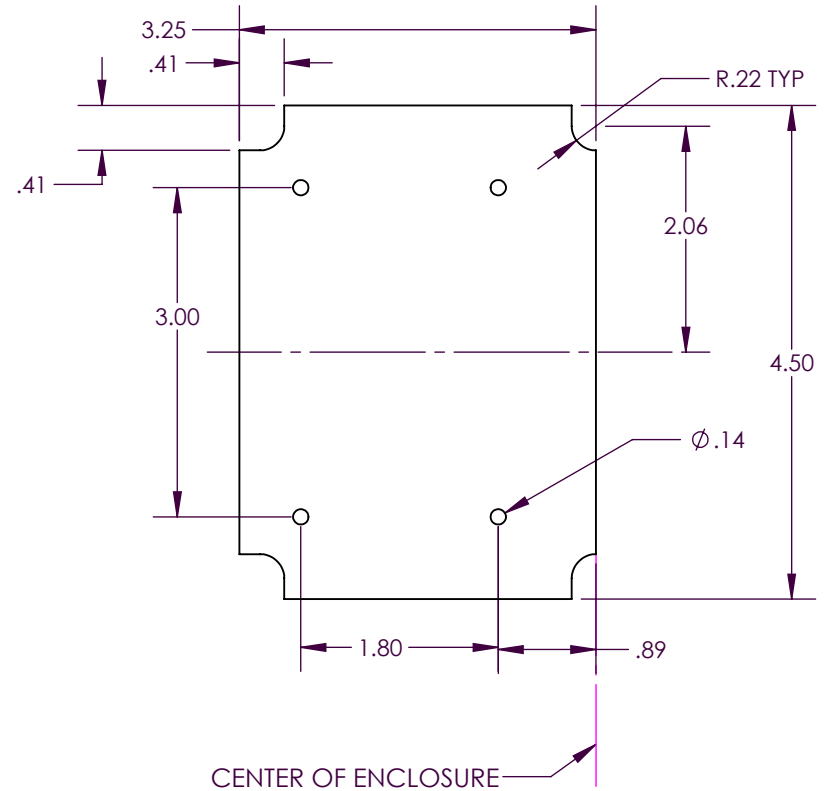
# SERPAC PCB for 17X compartment enclosures

Electronic Enclosures

**CIRCUIT BOARD FOR TOP**



**CIRCUIT BOARD FOR BOTTOM**



**SMALL CIRCUIT BOARD FOR BOTTOM**

