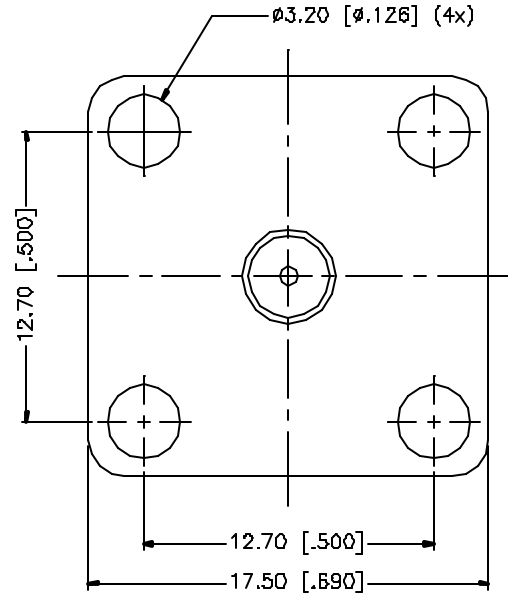
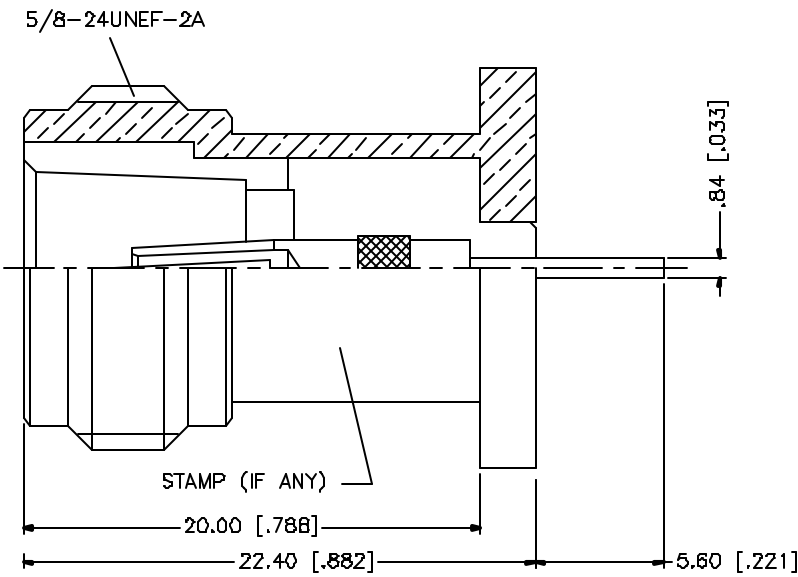


REV.	DATE	DESCRIPTION
NC	02/20/03	INITIAL RELEASE
A	04/19/07	REVISE BODY PLATING TO NEXCOTE



8				
7				
6				
5				
4	INNER BODY	BRASS	GOLD	1
3	CONTACT PIN	PHOS. BRONZE	GOLD	1
2	INSULATOR	TEFLON	NATURAL	1
1	BODY	BRASS	NEXCOTE	1
	DESCRIPTION	MATERIAL	FINISH	QTY

UNLESS OTHERWISE SPECIFIED DIMENSIONS ARE IN MILLIMETERS DIMENSIONS IN [] ARE IN INCHES AND FOR CUSTOMER REFERENCE ONLY.

UNLESS OTHERWISE SPECIFIED TOLERANCES FOR MILLIMETERS ARE:
 0.5 - 3mm ± 0.20mm
 3 - 30mm ± 0.40mm
 30 - 120mm ± 0.50mm

UNLESS OTHERWISE SPECIFIED TOLERANCES FOR INCHES ARE:
 .020 - .315 = ± 0.007"
 .315 - 1.180 = ± 0.015"
 1.180 - 4.724 = ± 0.020"

DO NOT SCALE DRAWING

APPROVALS	DATE
DRAWN G.R.S.	04/19/07
CHECKED	
ISSUED	
SHEET 1 OF 1	
CAD FILE C:/172/172190-10.DWG	

Amphenol Connex

PART DESCRIPTION
N PANEL RECEPTACLE JACK

PART NO.
172190-10

DWG. NO. 172190-10.DWG	REV. A	SIZE A	SCALE NA
------------------------	--------	--------	----------