

VHDCI Cable



Specifications

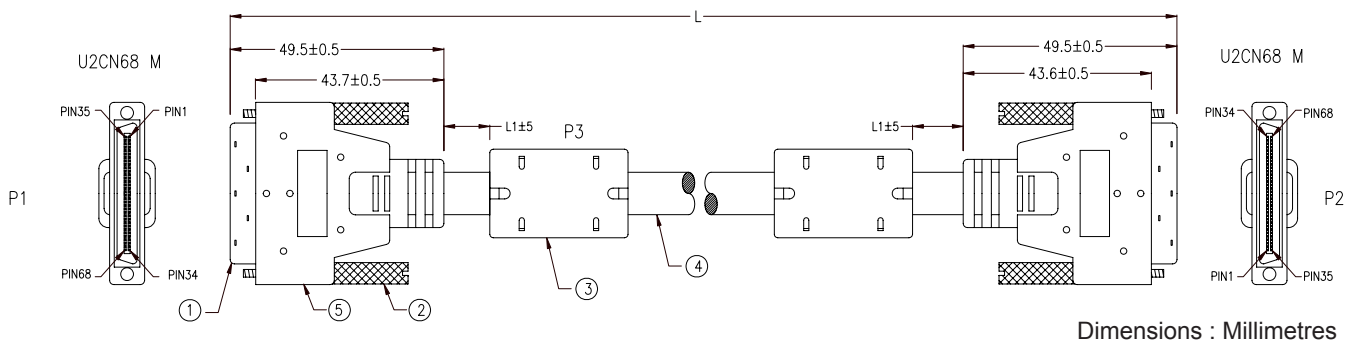
Connector Type A : VHDCI Plug
 Connector Type B : VHDCI Plug
 Cable Length : 1m / 3.28ft, 2m / 6.56ft

**RoHS
Compliant**

Electrical Test

100% Open, short test
 Min. Insulation Resistance : 1MΩ

Diagram



Wiring and Colour Code

| P1 | P2 | P1 | P2 | P1 | P2 |
|-----------------|----|-----------------|----|------------------|--------|
| BROWN 1 | 1 | YELLOW/RED 13 | 13 | PURPLE/YELLOW 25 | 25 |
| BROWN/WHITE 35 | 35 | YELLOW/BLUE 47 | 47 | PURPLE/BLACK 59 | 59 |
| BROWN/RED 2 | 2 | YELLOW/GREEN 14 | 14 | PURPLE/BROWN 26 | 26 |
| BROWN/BLUE 36 | 36 | GREEN/BROWN 48 | 48 | PURPLE/BROWN 60 | 60 |
| BROWN/BLACK 37 | 37 | BROWN/GREEN 15 | 15 | GREY 27 | 27 |
| RED 4 | 4 | YELLOW/BLACK 16 | 16 | GREY/BROWN 61 | 61 |
| RED/WHITE 38 | 38 | BROWN/YELLOW 50 | 50 | GREY/RED 28 | 28 |
| RED/GREEN 5 | 5 | GREEN 17 | 17 | GREY/BLUE 62 | 62 |
| RED/BLACK 39 | 39 | GREEN/WHITE 51 | 51 | GREY/YELLOW 29 | 29 |
| RED/BROWN 40 | 40 | GREEN/RED 18 | 18 | WHITE/BLACK 63 | 63 |
| RED/BLUE 7 | 7 | GREEN/BLUE 52 | 52 | WHITE/RED 30 | 30 |
| ORANGE/RED 41 | 41 | GREEN/YELLOW 19 | 19 | WHITE/BLUE 64 | 64 |
| ORANGE 8 | 8 | GREEN/BLACK 53 | 53 | WHITE/YELLOW 31 | 31 |
| ORANGE/WHITE 42 | 42 | BLUE 20 | 20 | WHITE/BLACK 65 | 65 |
| ORANGE/YELLOW 9 | 9 | BLUE/WHITE 54 | 54 | BLACK 32 | 32 |
| ORANGE/BLACK 43 | 43 | BLUE/YELLOW 21 | 21 | BLACK/WHITE 66 | 66 |
| ORANGE/GREEN 10 | 10 | BLUE/BLACK 55 | 55 | BLACK/RED 33 | 33 |
| ORANGE/BROWN 44 | 44 | BLUE/GREEN 22 | 22 | BLACK/BLUE 67 | 67 |
| ORANGE/BLUE 11 | 11 | BLUE/BROWN 56 | 56 | BLACK/GREEN 34 | 34 |
| BLUE/RED 45 | 45 | PURPLE 23 | 23 | BLACK/BROWN 68 | 68 |
| YELLOW 12 | 12 | PURPLE/RED 24 | 24 | SHIELD | SHIELD |
| YELLOW/WHITE 46 | 46 | PURPLE/BLUE 58 | 58 | | |

| No. | Description |
|-----|--|
| 1 | U2CN68 Male, Gold Flash on contacts, Black Insulator |
| 2 | Screw 5mm × 38.5mm |
| 3 | Molded PVC Black |
| | Ferrite Core 17.5mm × 10.5mm × 28.5mm |
| 4 | UL20276 34 Twisted Pairs 30AWG, Alum-Mylar and Copper Brand foil Shielding with Drain Wire, OD 9.8mm, Jacket Black |
| 5 | Molded PVC Black |
| | Molded PE Colour Transparent |
| | Copper Foil 33mm × 90mm |
| | PE Hood Colour Transparent |
| | Black Heat Shrink Tube 1×15mm |

Part Number Table

| Description | "L" | "L1" | Part Number |
|--------------|-----|------|-------------|
| Cable, VHDCI | 1m | 30mm | 1718937 |
| Cable, VHDCI | 2m | 50mm | 1718938 |

Important Notice : This data sheet and its contents (the "Information") belong to the members of the Premier Farnell group of companies (the "Group") or are licensed to it. No licence is granted for the use of it other than for information purposes in connection with the products to which it relates. No licence of any intellectual property rights is granted. The Information is subject to change without notice and replaces all data sheets previously supplied. The Information supplied is believed to be accurate but the Group assumes no responsibility for its accuracy or completeness, any error in or omission from it or for any use made of it. Users of this data sheet should check for themselves the Information and the suitability of the products for their purpose and not make any assumptions based on information included or omitted. Liability for loss or damage resulting from any reliance on the Information or use of it (including liability resulting from negligence or where the Group was aware of the possibility of such loss or damage arising) is excluded. This will not operate to limit or restrict the Group's liability for death or personal injury resulting from its negligence. Multicomp is the registered trademark of the Group. © Premier Farnell Limited 2016.

