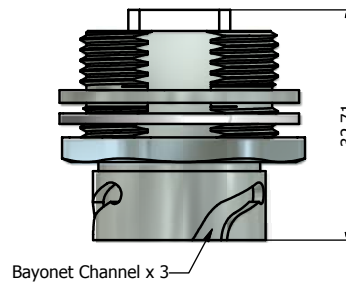
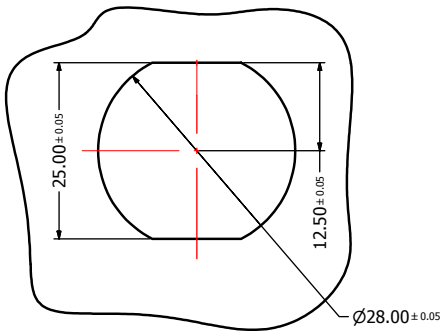
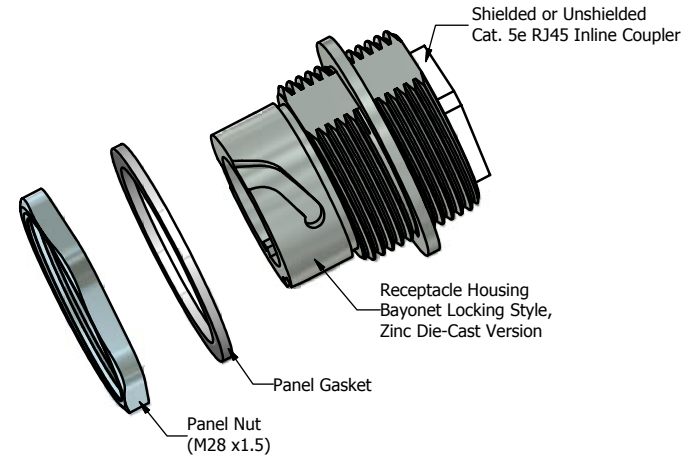


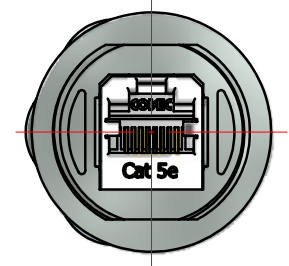
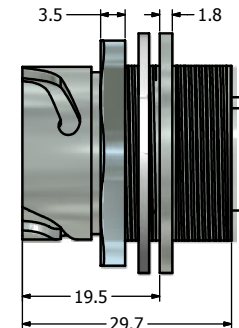
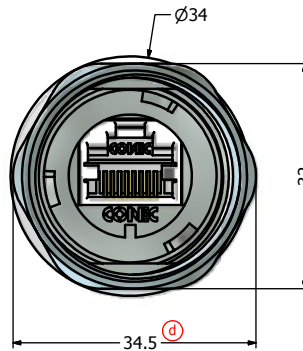
Recommended Single-D (d)
Panel Cutout



Bayonet Channel x 3



Recommended Double-D (c)
Panel Cutout



Notes:

- Electrical Specifications:
 - Meets EIA/TIA-568-B.2 Cat.5e Specification
 - Contact Resistance: 20mOhm max.
 - Insulation Resistance: 500MOhm min. @ 100 VDC
 - Current Rating: 1.2A max. at 25° C
 - Working Voltage: 100 VDC
 - DWV: 1000 VDC/60s Contact to Contact, 1500 VDC/60s Contact to Metal Shell
 - Operating Temperature: -40° C to +85° C
- Material and Finish:
 - Receptacle Housing: Zinc Die-Cast, Finish: Nickel Plated
 - Panel Nut: Brass, Finish: Nickel Plated
 - Panel Gasket: Silicon, Color: White
 - RJ45 Jack Metal Shell: Copper Alloy, Nickel Plated
 - RJ45 Jack Plastic Housing: Glass filled PBT UL94 V-0, Color: Black
 - RJ45 Jack Contacts: Phosphor Bronze, Finish: 50u" Gold min. over Nickel
- Connector can be front or rear mounted to a maximum panel thickness of 3.2mm.
- IP67 rated when covered or fully mated with the appropriate mating connector
- RoHS compliant

Directive 2002/95/EC RoHS Compliant

(b) (d)	Description	Part Number
	Nickel Plated Zinc Die-Cast with Shielded Cat5e Coupler	17-101754
	Nickel Plated Zinc Die-Cast with Unshielded Cat5e RJ45 Coupler	17-101764

THIS DRAWING MAY NOT BE COPIED, OR REPRODUCED IN ANY WAY AND MAY NOT BE PASSED ON TO A THIRD PARTY WITHOUT WRITTEN PERMISSION. OWNERSHIP AND COPYRIGHT OF CONEC CORPORATION. DOT NOT ALTER CAD DRAWING BY HAND	Customer:		Tolerance Unless otherwise specified		Scale: NTS	Dim. in mm
	Name		Autodesk Inventor			
	Title		Approval Date		Material: See Notes	
	2009		Date		Name	
Draw. Dec. 07		Vincent Ke		Title: Jack Receptacle Assembly Kit with Cat. 5e RJ45 Inline Coupler Nickel Plated Zinc Die-Cast Version		
Appd. Dec. 07		J. Chaudry		Drawing No.: 17K1A144		
d 3 x d		Mar/02/2011		Vincent ke		DIN A3
c 1 x c		Jan/28/2011		Vincent ke		
b 3 x b		Dec/16/2010		Vincent ke		Sheet 1/1
a original						
Rev. Changes		Date		Name		

