

## Printed-circuit board connector - PTSM 0,5/ 3-PL-2,5 WH - 1709459

Please be informed that the data shown in this PDF Document is generated from our Online Catalog. Please find the complete data in the user's documentation. Our General Terms of Use for Downloads are valid (<http://phoenixcontact.com/download>)



PCB connector, nominal current: 6 A, number of positions: 3, pitch: 2.5 mm, connection method: Push-in spring connection, color: white, contact surface: Tin

The figure shows a 3-pos. version of the product

### Your advantages

- ✓ White design: Stable color when welding and during use
- ✓ Time saving push-in connection, tools not required
- ✓ Defined contact force ensures that contact remains stable over the long term
- ✓ High current carrying capacity of 6 A in very compact dimensions
- ✓ Intuitive locking mechanism prevents accidental disconnection



### Key Commercial Data

|                                      |   |
|--------------------------------------|---|
| Packing unit                         | 1 pc  |
| Minimum order quantity               | 250 pc  |
| GTIN                                 | <br>4 055626 130453 |
| GTIN                                 | 4055626130453   |
| Weight per Piece (excluding packing) | 1.120 g   |
| Custom tariff number                 | 85366990  |
| Country of origin                    | Poland  |

### Technical data

#### Dimensions

|              |          |
|--------------|----------|
| Length [ l ] | 5.2 mm   |
| Width [ w ]  | 13.96 mm |
| Height [ h ] | 15 mm    |

# Printed-circuit board connector - PTSM 0,5/ 3-PL-2,5 WH - 1709459

## Technical data

### Dimensions

|             |        |
|-------------|--------|
| Pitch       | 2.5 mm |
| Dimension a | 5 mm   |

### General

|  |                           |
|--|---------------------------|
| Range of articles                      | PTSM 0,5/..-PL WH         |
| Number of positions                    | 3                         |
| Connection method                      | Push-in spring connection |
| Insulating material group              | I                         |
| Rated surge voltage (III/3)            | 2.5 kV                    |
| Rated surge voltage (III/2)            | 2.5 kV                    |
| Rated surge voltage (II/2)             | 2.5 kV                    |
| Rated voltage (III/3)                  | 100 V                     |
| Rated voltage (III/2)                  | 160 V                     |
| Rated voltage (II/2)                   | 320 V                     |
| Connection in acc. with standard       | EN-VDE                    |
| Nominal current $I_N$                  | 6 A                       |
| Nominal cross section                  | 0.5 mm <sup>2</sup>       |
| Maximum load current                   | 6 A                       |
| Insulating material                    | PA                        |
| Flammability rating according to UL 94 | V0                        |
| Stripping length                       | 6 mm                      |

### Connection data

|  |                      |
|--|----------------------|
| Conductor cross section solid min.   | 0.14 mm <sup>2</sup> |
| Conductor cross section solid max.   | 0.5 mm <sup>2</sup>  |
| Conductor cross section flexible min.                                      | 0.2 mm <sup>2</sup>  |
| Conductor cross section flexible max.                                      | 0.5 mm <sup>2</sup>  |
| Conductor cross section flexible, with ferrule without plastic sleeve min. | 0.25 mm <sup>2</sup> |
| Conductor cross section flexible, with ferrule without plastic sleeve max. | 0.5 mm <sup>2</sup>  |
| Conductor cross section flexible, with ferrule with plastic sleeve min.    | 0.25 mm <sup>2</sup> |
| Conductor cross section flexible, with ferrule with plastic sleeve max.    | 0.34 mm <sup>2</sup> |
| Conductor cross section AWG min.   | 24                   |
| Conductor cross section AWG max.   | 20                   |

### Standards and Regulations

|  |        |
|--|--------|
| Connection in acc. with standard       | EN-VDE |
| Flammability rating according to UL 94 | V0     |

### Environmental Product Compliance

# Printed-circuit board connector - PTSM 0,5/ 3-PL-2,5 WH - 1709459

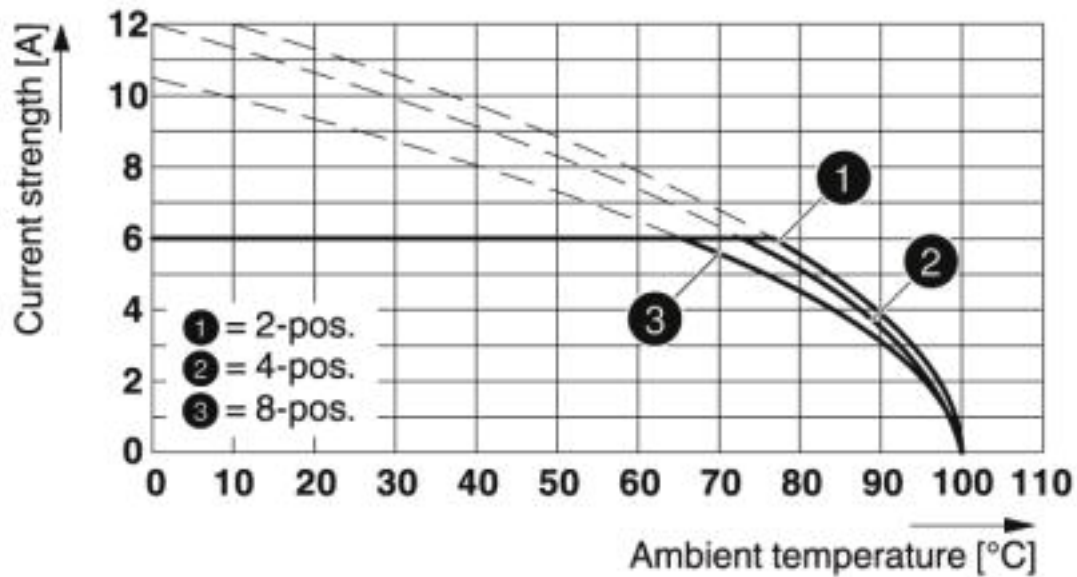
## Technical data

### Environmental Product Compliance

|            |   |
|------------|---|
| China RoHS | Environmentally friendly use period: unlimited = EFUP-e |
|            | No hazardous substances above threshold values          |

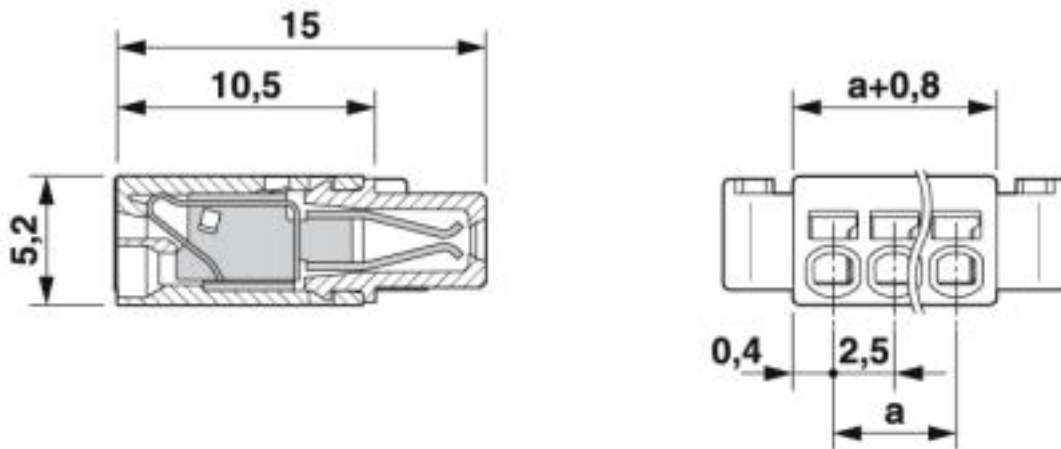
## Drawings

Diagram



Type: PTSM 0,5/...-PL-2,5 ... with PTSM 0,5/...-HH-2,5-SMD... R...

Dimensional drawing



# Printed-circuit board connector - PTSM 0,5/ 3-PL-2,5 WH - 1709459

## Classifications

### eCl@ss

|            |          |
|------------|----------|
| eCl@ss 4.0 | 27260700 |
| eCl@ss 4.1 | 27260700 |
| eCl@ss 5.0 | 27260700 |
| eCl@ss 5.1 | 27260700 |
| eCl@ss 6.0 | 27260700 |
| eCl@ss 7.0 | 27440309 |
| eCl@ss 8.0 | 27440309 |
| eCl@ss 9.0 | 27440309 |

### ETIM

|          |          |
|----------|----------|
| ETIM 3.0 | EC001121 |
| ETIM 4.0 | EC002638 |
| ETIM 5.0 | EC002638 |
| ETIM 6.0 | EC002638 |
| ETIM 7.0 | EC002638 |

### UNSPSC

|               |          |
|---------------|----------|
| UNSPSC 6.01   | 30211810 |
| UNSPSC 7.0901 | 39121409 |
| UNSPSC 11     | 39121409 |
| UNSPSC 12.01  | 39121409 |
| UNSPSC 13.2   | 39121409 |

## Approvals

### Approvals

---

#### Approvals

UL Recognized / VDE Zeichengenehmigung / cULus Recognized / EAC

---

#### Ex Approvals

---

### Approval details

# Printed-circuit board connector - PTSM 0,5/ 3-PL-2,5 WH - 1709459

## Approvals

|                            |       |   |                  |
|----------------------------|-------|---|------------------|
| UL Recognized              |       | <a href="http://database.ul.com/cgi-bin/XYV/template/LISEXT/1FRAME/index.htm">http://database.ul.com/cgi-bin/XYV/template/LISEXT/1FRAME/index.htm</a> | E118976-20130619 |
|                            |       | B   |                  |
| Nominal voltage UN         | 150 V |   |                  |
| Nominal current IN         | 5 A   |   |                  |
| mm <sup>2</sup> /AWG/kcmil | 26-18 |   |                  |

|                            |         |   |          |
|----------------------------|---------|---|----------|
| VDE Zeichengenehmigung     |         | <a href="http://www2.vde.com/de/Institut/Online-Service/VDE-gepruefteProdukte/Seiten/Online-Suche.aspx">http://www2.vde.com/de/Institut/Online-Service/VDE-gepruefteProdukte/Seiten/Online-Suche.aspx</a> | 40048497 |
|                            |         | B   |          |
| Nominal voltage UN         | 160 V   |   |          |
| Nominal current IN         | 6 A     |   |          |
| mm <sup>2</sup> /AWG/kcmil | 0.14-.5 |   |          |

|                            |       |   |                 |
|----------------------------|-------|---|-----------------|
| cULus Recognized           |       | <a href="http://database.ul.com/cgi-bin/XYV/template/LISEXT/1FRAME/index.htm">http://database.ul.com/cgi-bin/XYV/template/LISEXT/1FRAME/index.htm</a> | E60425-20101209 |
|                            |       | B   |                 |
| Nominal voltage UN         | 150 V |   |                 |
| Nominal current IN         | 5 A   |   |                 |
| mm <sup>2</sup> /AWG/kcmil | 26-20 |   |                 |

|     |  |         |  |
|-----|--|---------|--|
| EAC |  | B.01742 |  |
|-----|--|---------|--|

## Accessories

### Accessories

#### Cable end sleeve

Ferrule - AI 0,25- 6 BU - 3203040



Ferrule, sleeve length: 6 mm, length: 10.5 mm, color: blue

## Printed-circuit board connector - PTSM 0,5/ 3-PL-2,5 WH - 1709459

### Accessories

---

Ferrule - AI 0,25- 6 YE - 3203024



Ferrule, sleeve length: 6 mm, length: 10.5 mm, color: yellow

---

Ferrule - AI 0,34- 6 TQ - 3203053



Ferrule, sleeve length: 6 mm, length: 10.5 mm, color: turquoise

---

### Screwdriver tools

Screwdriver - SZS 0,4X2,0 - 1205202



Micro screwdriver, bladed, size: 0.4 x 2.0 x 60 mm, 2-component grip, with non-slip grip and twist cap

---

### Additional products

Feed-through header - PTSM 0,5/ 3-HH0-2,5-SMD WH R32 - 1814922



PCB headers, nominal current: 6 A, number of positions: 3, pitch: 2.5 mm, color: white, contact surface: Tin, mounting: SMD soldering

---

## Printed-circuit board connector - PTSM 0,5/ 3-PL-2,5 WH - 1709459

### Accessories

Feed-through header - PTSM 0,5/ 3-HV-2,5-SMD WH R44 - 1778706



PCB headers, nominal current: 6 A, number of positions: 3, pitch: 2.5 mm, color: white, contact surface: Tin, mounting: SMD soldering, Article with anti-rotation pin

---

Feed-through header - PTSM 0,5/ 3-HV0-2,5-SMD WH R44 - 1839208



PCB headers, nominal current: 6 A, number of positions: 3, pitch: 2.5 mm, color: white, contact surface: Tin, mounting: SMD soldering

---

Feed-through header - PTSM 0,5/ 3-HTB-2,5-SMD WH R44 - 1830139



PCB headers, nominal current: 6 A, number of positions: 3, pitch: 2.5 mm, color: white, contact surface: Tin, mounting: SMD soldering

---

Feed-through header - PTSM 0,5/ 3-HH-2,5-THR WH R32 - 1814854



PCB headers, nominal current: 6 A, number of positions: 3, pitch: 2.5 mm, color: white, contact surface: Tin, mounting: THR soldering

---

Feed-through header - PTSM 0,5/ 3-HV-2,5-THR WH R32 - 1815277



PCB headers, nominal current: 6 A, number of positions: 3, pitch: 2.5 mm, color: white, contact surface: Tin, mounting: THR soldering

---

## Printed-circuit board connector - PTSM 0,5/ 3-PL-2,5 WH - 1709459

### Accessories

Printed-circuit board connector - PTSM 0,5/ 3-PI-2,5 WH - 1709451



PCB connector, nominal current: 6 A, number of positions: 3, pitch: 2.5 mm, connection method: Push-in spring connection, color: white, contact surface: Tin

---

Feed-through header - PTSM 0,5/ 3-HH-2,5-SMD WH R32 - 1708005



PCB headers, nominal current: 6 A, number of positions: 3, pitch: 2.5 mm, color: white, contact surface: Tin, mounting: SMD soldering, Article with anti-rotation pin

---

Connector set - SAMPLE PTSM 0,5 PI/PL-3 SET - 1714623

Connector set, number of positions: 3, pitch: 2.5 mm, color: white

---

---