

Printed-circuit board connector - PTSM 0,5/ 2-PL-2,5 WH - 1709457

Please be informed that the data shown in this PDF Document is generated from our Online Catalog. Please find the complete data in the user's documentation. Our General Terms of Use for Downloads are valid (<http://phoenixcontact.com/download>)



PCB connector, nominal current: 6 A, number of positions: 2, pitch: 2.5 mm, connection method: Push-in spring connection, color: white, contact surface: Tin


The figure shows a 3-pos. version of the product

Your advantages

- ✓ White design: Stable color when welding and during use
- ✓ Time saving push-in connection, tools not required
- ✓ Defined contact force ensures that contact remains stable over the long term
- ✓ High current carrying capacity of 6 A in very compact dimensions
- ✓ Intuitive locking mechanism prevents accidental disconnection



Key Commercial Data

Packing unit	1 pc
Minimum order quantity	250 pc
GTIN	 4 055626 130439
GTIN	4055626130439
Weight per Piece (excluding packing)	0.800 g
Custom tariff number	85366990
Country of origin	Germany

Technical data

Dimensions

Length [l]	15 mm
Width [w]	11.46 mm
Height [h]	5.2 mm

Printed-circuit board connector - PTSM 0,5/ 2-PL-2,5 WH - 1709457

Technical data

Dimensions

Pitch	2.5 mm
Dimension a	2.5 mm

General

Range of articles	PTSM 0,5/..-PL WH
Number of positions	2
Connection method	Push-in spring connection
Insulating material group	I
Rated surge voltage (III/3)	2.5 kV
Rated surge voltage (III/2)	2.5 kV
Rated surge voltage (II/2)	2.5 kV
Rated voltage (III/3)	100 V
Rated voltage (III/2)	160 V
Rated voltage (II/2)	320 V
Connection in acc. with standard	EN-VDE
Nominal current I_N	6 A
Nominal cross section	0.5 mm ²
Maximum load current	6 A
Insulating material	PA
Flammability rating according to UL 94	V0
Stripping length	6 mm

Connection data

Conductor cross section solid min.	0.14 mm ²
Conductor cross section solid max.	0.5 mm ²
Conductor cross section flexible min.	0.2 mm ²
Conductor cross section flexible max.	0.5 mm ²
Conductor cross section flexible, with ferrule without plastic sleeve min.	0.25 mm ²
Conductor cross section flexible, with ferrule without plastic sleeve max.	0.5 mm ²
Conductor cross section flexible, with ferrule with plastic sleeve min.	0.25 mm ²
Conductor cross section flexible, with ferrule with plastic sleeve max.	0.34 mm ²
Conductor cross section AWG min.	24
Conductor cross section AWG max.	20

Standards and Regulations

Connection in acc. with standard	EN-VDE
Flammability rating according to UL 94	V0

Environmental Product Compliance

Printed-circuit board connector - PTSM 0,5/ 2-PL-2,5 WH - 1709457

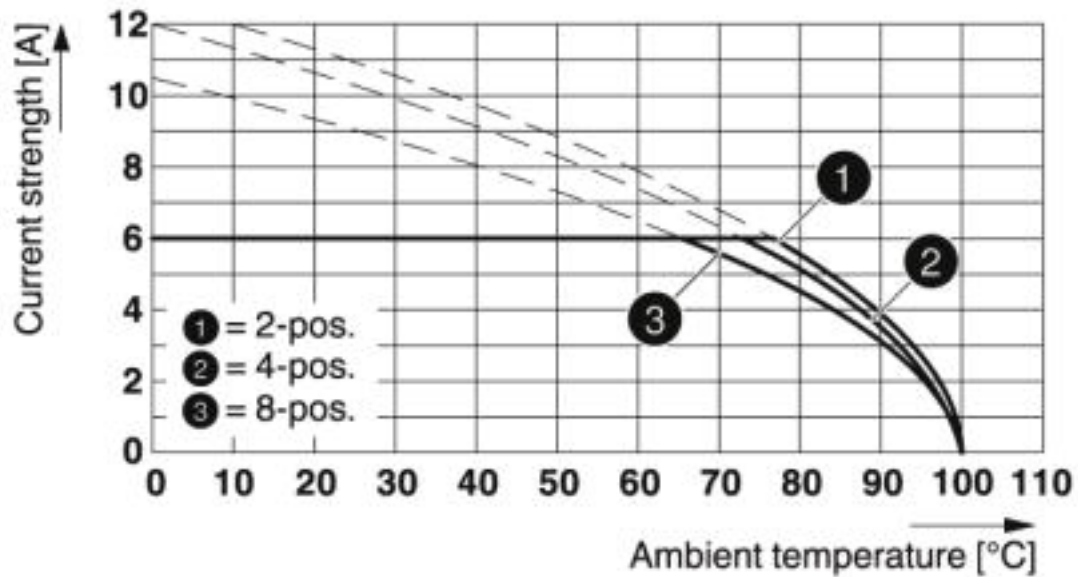
Technical data

Environmental Product Compliance

China RoHS	Environmentally friendly use period: unlimited = EFUP-e
	No hazardous substances above threshold values

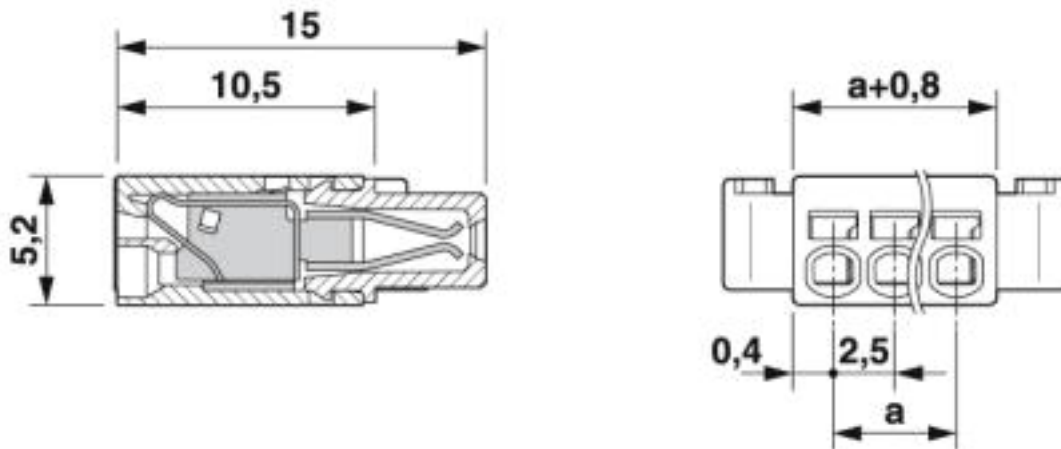
Drawings

Diagram



Type: PTSM 0,5/...-PL-2,5 ... with PTSM 0,5/...-HH-2,5-SMD... R...

Dimensional drawing



Printed-circuit board connector - PTSM 0,5/ 2-PL-2,5 WH - 1709457

Classifications

eCl@ss

eCl@ss 4.0	27260700
eCl@ss 4.1	27260700
eCl@ss 5.0	27260700
eCl@ss 5.1	27260700
eCl@ss 6.0	27260700
eCl@ss 7.0	27440309
eCl@ss 8.0	27440309
eCl@ss 9.0	27440309

ETIM

ETIM 3.0	EC001121
ETIM 4.0	EC002638
ETIM 5.0	EC002638
ETIM 6.0	EC002638
ETIM 7.0	EC002638

UNSPSC

UNSPSC 6.01	30211810
UNSPSC 7.0901	39121409
UNSPSC 11	39121409
UNSPSC 12.01	39121409
UNSPSC 13.2	39121409

Approvals

Approvals

Approvals

UL Recognized / VDE Zeichengenehmigung / cULus Recognized / EAC

Ex Approvals

Approval details

Printed-circuit board connector - PTSM 0,5/ 2-PL-2,5 WH - 1709457

Approvals

UL Recognized		http://database.ul.com/cgi-bin/XYV/template/LISEXT/1FRAME/index.htm	E118976-20130619
		B	
Nominal voltage UN	150 V		
Nominal current IN	5 A		
mm ² /AWG/kcmil	26-18		

VDE Zeichengenehmigung		http://www2.vde.com/de/Institut/Online-Service/VDE-gepruefteProdukte/Seiten/Online-Suche.aspx	40048497
		B	
Nominal voltage UN	160 V		
Nominal current IN	6 A		
mm ² /AWG/kcmil	0.14-.5		

cULus Recognized		http://database.ul.com/cgi-bin/XYV/template/LISEXT/1FRAME/index.htm	E60425-20101209
		B	
Nominal voltage UN	150 V		
Nominal current IN	5 A		
mm ² /AWG/kcmil	26-20		

EAC		B.01742	
-----	--	---------	--

Accessories

Accessories

Cable end sleeve

Ferrule - AI 0,25- 6 BU - 3203040



Ferrule, sleeve length: 6 mm, length: 10.5 mm, color: blue

Printed-circuit board connector - PTSM 0,5/ 2-PL-2,5 WH - 1709457

Accessories

Ferrule - AI 0,25- 6 YE - 3203024



Ferrule, sleeve length: 6 mm, length: 10.5 mm, color: yellow

Ferrule - AI 0,34- 6 TQ - 3203053



Ferrule, sleeve length: 6 mm, length: 10.5 mm, color: turquoise

Screwdriver tools

Screwdriver - SZS 0,4X2,0 - 1205202



Micro screwdriver, bladed, size: 0.4 x 2.0 x 60 mm, 2-component grip, with non-slip grip and twist cap

Additional products

Printed-circuit board connector - PTSM 0,5/ 2-PI-2,5 WH - 1709450



PCB connector, nominal current: 6 A, number of positions: 2, pitch: 2.5 mm, connection method: Push-in spring connection, color: white, contact surface: Tin

Printed-circuit board connector - PTSM 0,5/ 2-PL-2,5 WH - 1709457

Accessories

Feed-through header - PTSM 0,5/ 2-HH0-2,5-SMD WH R32 - 1814919



PCB headers, nominal current: 6 A, number of positions: 2, pitch: 2.5 mm, color: white, contact surface: Tin, mounting: SMD soldering

Feed-through header - PTSM 0,5/ 2-HV-2,5-SMD WH R24 - 1778696



PCB headers, nominal current: 6 A, number of positions: 2, pitch: 2.5 mm, color: white, contact surface: Tin, mounting: SMD soldering, Article with anti-rotation pin

Feed-through header - PTSM 0,5/ 2-HV0-2,5-SMD WH R24 - 1839198



PCB headers, nominal current: 6 A, number of positions: 2, pitch: 2.5 mm, color: white, contact surface: Tin, mounting: SMD soldering

Feed-through header - PTSM 0,5/ 2-HTB-2,5-SMD WH R24 - 1830126



PCB headers, nominal current: 6 A, number of positions: 2, pitch: 2.5 mm, color: white, contact surface: Tin, mounting: SMD soldering

Feed-through header - PTSM 0,5/ 2-HH-2,5-THR WH R16 - 1814841



PCB headers, nominal current: 6 A, number of positions: 2, pitch: 2.5 mm, color: white, contact surface: Tin, mounting: THR soldering

Printed-circuit board connector - PTSM 0,5/ 2-PL-2,5 WH - 1709457

Accessories

Feed-through header - PTSM 0,5/ 2-HV-2,5-THR WH R32 - 1815264



PCB headers, nominal current: 6 A, number of positions: 2, pitch: 2.5 mm, color: white, contact surface: Tin, mounting: THR soldering

Feed-through header - PTSM 0,5/ 2-HH-2,5-SMD WH R32 - 1708004



PCB headers, nominal current: 6 A, number of positions: 2, pitch: 2.5 mm, color: white, contact surface: Tin, mounting: SMD soldering, Article with anti-rotation pin

Connector set - SAMPLE PTSM 0,5 PI/PL-2 SET - 1714622

Connector set, number of positions: 2, pitch: 2.5 mm, color: white
