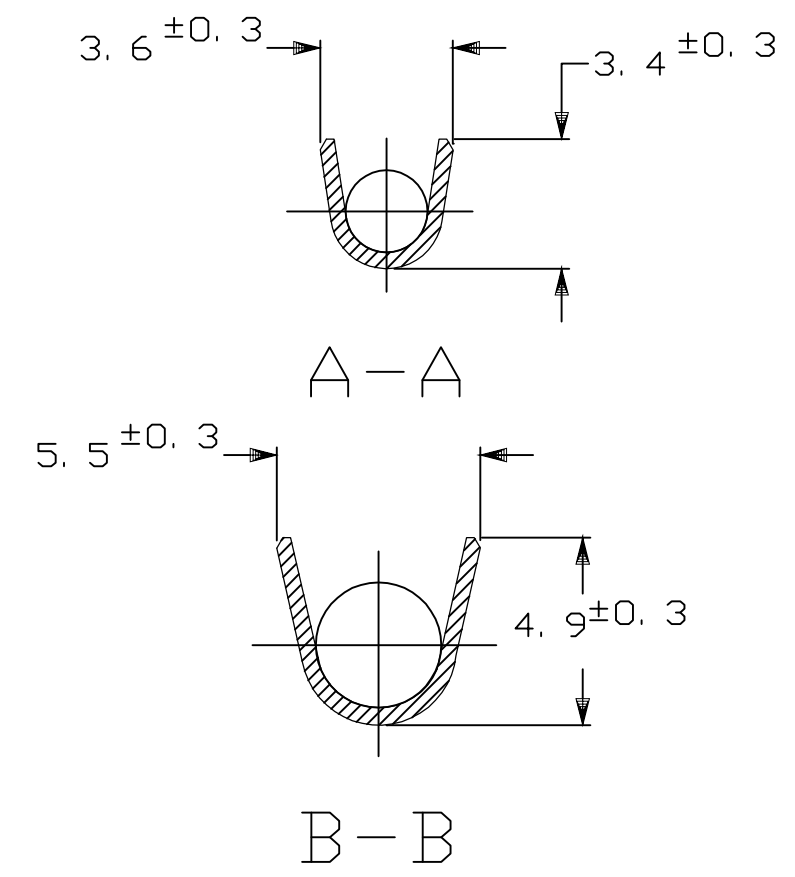
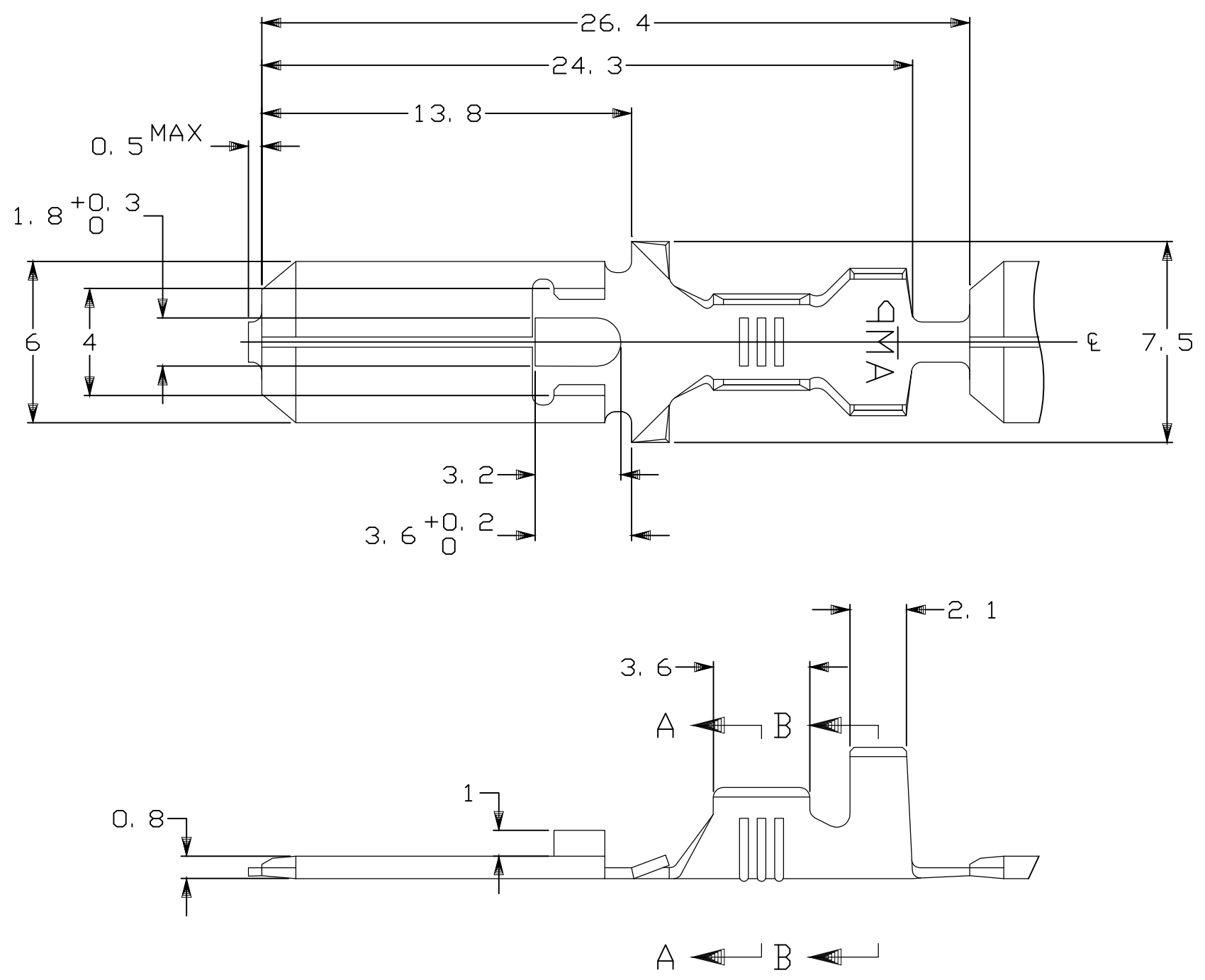


THIS DRAWING IS UNPUBLISHED. RELEASED FOR PUBLICATION  
 © COPYRIGHT - By - ALL RIGHTS RESERVED.

LOC	DIST	REVISIONS					
J	-	P	LTR	DESCRIPTION	DATE	DWN	APVD
			C3	REVISED PER ECO-11-005030	11MAR11	RK	HMR



△ REVERSE REEL OF 170340-3  
 △ 170340-3、逆巻リール

△	---	PRE-TIN BRASS t0.41	---	1-170340-3
	---	PRE-TIN BRASS t0.41	179462-3	170340-3
	---	BRASS t0.41	---	170340-1
	FINISH	MATERIAL	LOOSE PIECE NUMBER	PART NUMBER

THIS DRAWING IS A CONTROLLED DOCUMENT.	
DIMENSIONS: 単位: 耗 mm	TOLERANCES UNLESS OTHERWISE SPECIFIED: 一般公差
0 PLC ± -	1 PLC 10 ± - ±0.2
2 PLC 30 ± - ±0.25	3 PLC ANGLE: ±3°
4 PLC ± -	ANGLES ± -
MATERIAL 材料 SEE TABLE	FINISH 仕上 SEE TABLE

DWN	19AUG98
A.YAMAGUCHI	
CHK	26AUG98
K.BETSUI	
APVD	26AUG98
K.BETSUI	
PRODUCT SPEC	108-5147
製品規格	
APPLICATION SPEC	114-5052
取付適用規格	
WEIGHT	0.76g

WIRE RANGE 包合電線断面積	<0.5~2.27mm SQ> #20~#14	INSULATION DIA 被覆外径	2.1~3.4 DIA
<b>STE</b> TE Connectivity			
NAME 名称		250 SERIES TAB WITHOUT LATCH 250シリーズ ラッチ無しタブ	
SIZE	CAGE CODE	DRAWING NO 番号	RESTRICTED TO
A3	00779	C-170340	-
CUSTOMER DRAWING		SCALE 尺度	5:1
		SHEET	1 OF 1
		REV	C3