


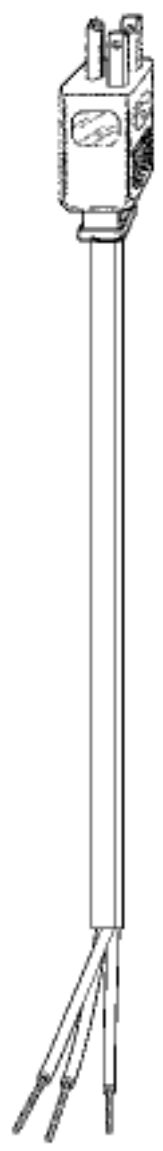


**Back**

Selected Cable: 17022A				
End View	Plug	Cord	Connector	End View
				
5-15P	813	SJT	3"STRIP	NONE

**Cord View**



<b>Part Number</b>	17022A
<b>Category</b>	3 conductor medicord special purpose cords
<b>Jacket Color</b>	matte gray
<b>Length Feet</b>	10'
<b>Length Meters</b>	3.05
<b>Temperature Rating</b>	60 C°C
<b>Packaging Units Per Carton</b>	S-15
<b>Color Coding</b>	North America
<b>AWG Stranding</b>	18 (41x34)
<b>Nominal OD Inch</b>	0.315
<b>Nominal OD millimeter</b>	8
<b>Rating</b>	1250 Watts 10A-125V
<b>Notes</b>	CSA certified. Medical. See 17030 for 8ft version. See 17039A for right-angle plug version.

**Approvals**



Qty:

Back

Volex Power Cord Products Division, 5350 Lakeview Parkway S. Drive #D Indianapolis, IN 46268  
800-246-CORD. [info@volexpowercords.com](mailto:info@volexpowercords.com)

Proposition 65 warning for California residents: This product contains chemicals, including lead, known to the State of California to cause (cancer, and) birth defects or other reproductive harm. Wash hands after handling.

