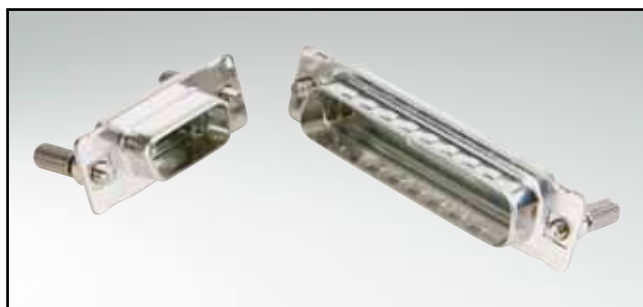


# D-SUB SHIELDED CAP

Metal design – Shielded – 9-50 pos. – For use with shell size 1-5 – Jack screws

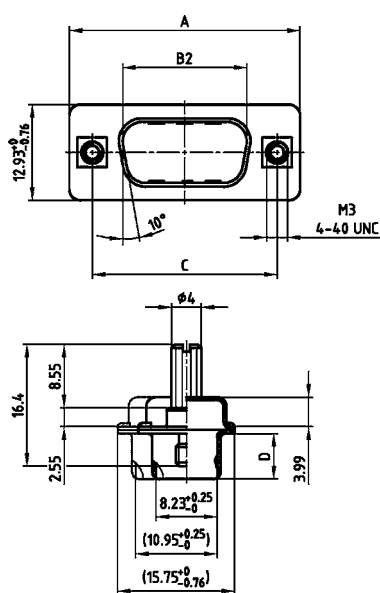


RoHS compliant

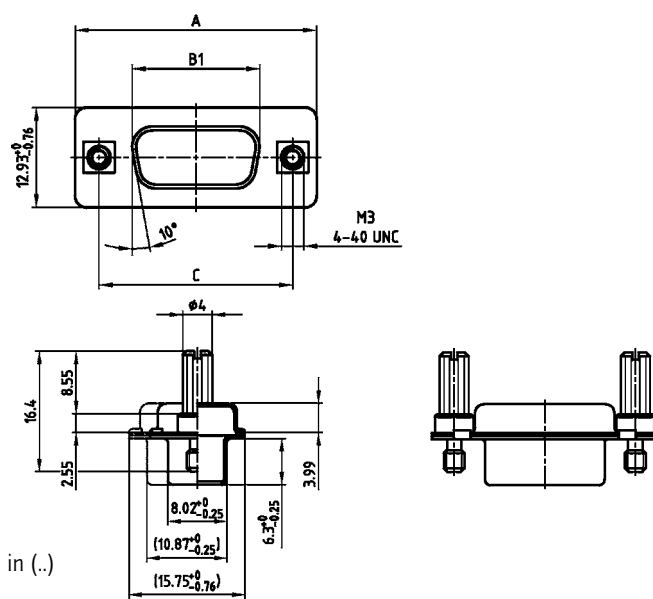
## DESCRIPTION

- Shielded cap protecting against EMI/RFI
- Material: Steel tin plated
- Mounting style:
  - with jack screw M3 or
  - with jack screw 4-40 UNC
- Bulk packaged

## FOR SOCKET CONNECTOR



## FOR PLUG CONNECTOR



50 pos. = Dim. in (..)

No. of pos.	A <sub>0.76</sub>	B1 <sub>0.25</sub>	B2 <sub>0.25</sub>	C	D <sub>0.3</sub>
09	31.19	16.46	16.79	25.00	6.12
15	39.52	24.79	25.12	33.30	6.12
25	53.42	38.50	38.84	47.04	5.99
37	69.70	54.96	55.30	63.50	5.99
50	67.31	52.55	52.68	61.10	5.99

## ORDER DATA

SHIELDED CAP FOR SOCKET CONNECTOR		
No. of pos.	Design	Part Number
09	Metal / M3 Jack screw	165 X 16859 X
15	Metal / M3 Jack screw	165 X 16869 X
25	Metal / M3 Jack screw	165 X 16879 X
37	Metal / M3 Jack screw	165 X 16889 X
50	Metal / M3 Jack screw	165 X 16899 X
09	Metal / 4-40 UNC Jack screw	165 X 16909 X
15	Metal / 4-40 UNC Jack screw	165 X 16919 X
25	Metal / 4-40 UNC Jack screw	165 X 16929 X
37	Metal / 4-40 UNC Jack screw	165 X 16939 X
50	Metal / 4-40 UNC Jack screw	165 X 16949 X

SHIELDED CAP FOR PLUG CONNECTOR		
No. of pos.	Design	Part Number
09	Metal / M3 Jack screw	165 X 16959 X
15	Metal / M3 Jack screw	165 X 16969 X
25	Metal / M3 Jack screw	165 X 16979 X
37	Metal / M3 Jack screw	165 X 16989 X
50	Metal / M3 Jack screw	165 X 16999 X
09	Metal / 4-40 UNC Jack screw	165 X 17009 X
15	Metal / 4-40 UNC Jack screw	165 X 17019 X
25	Metal / 4-40 UNC Jack screw	165 X 17029 X
37	Metal / 4-40 UNC Jack screw	165 X 17039 X
50	Metal / 4-40 UNC Jack screw	165 X 17049 X