

D-SUB PLASTIC HOOD

Straight cable entry – 9-50 pos.



RoHS compliant – CSA listed, File No.: LR 115000-1 – UL listed, File No.: E202784

DESCRIPTION

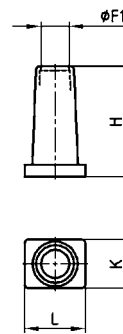
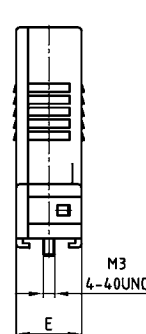
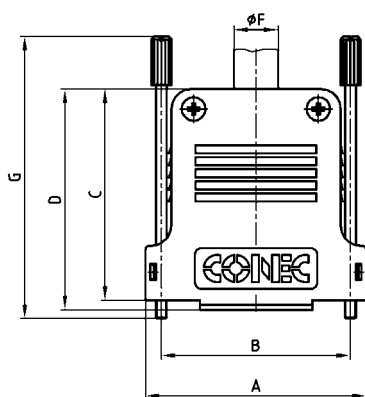
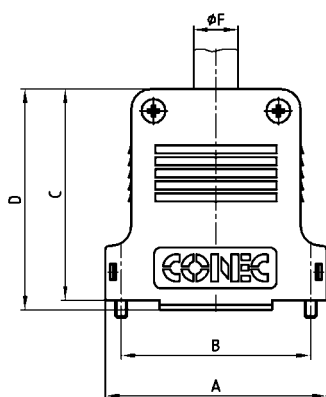
- Suitable for Combination D-SUB Connectors
- Large internal space for crimp, high power and coaxial contacts
- Material:
 - Plastic hood black: Polyester, UL 94 V-0
 - Plastic hood metallized: ABS, UL 94 V-0
- Fastening:
 - 4-40 UNC jack screw or M3
 - 4-40 UNC short screw or M3
- Bulk or single packaged units

PRODUCT DRAWING

Short screw

Jack screw

Cable grommet



No. of pos.	A	B	C	D	E	Ø F	Ø F1	G	H	K	L
09	32.90	25.00	39.50	41.80	16.30	11.00	5.00	60.00	24.50	11.20	11.20
15	41.20	33.30	45.50	47.80	16.30	11.00	5.00	60.00	24.50	11.20	11.20
25	54.90	47.00	52.50	54.80	16.30	12.00	7.00	70.00	27.50	12.20	15.00
37	71.40	63.50	55.50	57.80	18.70	15.00	7.00	70.00	27.50	12.20	15.00
50	69.00	61.10	55.00	57.80	19.50	14.00	9.30	70.00	29.20	15.00	20.00

ORDER DATA

D-SUB PLASTIC HOOD BLACK		
No. of pos.	Design	Part Number
09	Black housing / 4-40 UNC Short screw	165 X 13369 X
15	Black housing / 4-40 UNC Short screw	165 X 13379 X
25	Black housing / 4-40 UNC Short screw	165 X 13389 X
37	Black housing / 4-40 UNC Short screw	165 X 13399 X
50	Black housing / 4-40 UNC Short screw	165 X 13409 X
09	Black housing / M3 Short screw	165 X 14509 X
15	Black housing / M3 Short screw	165 X 14519 X
25	Black housing / M3 Short screw	165 X 14529 X
37	Black housing / M3 Short screw	165 X 14539 X
50	Black housing / M3 Short screw	165 X 14549 X
09	Black housing / 4-40 UNC Jack screw	165 X 03309 A
15	Black housing / 4-40 UNC Jack screw	165 X 03319 A
25	Black housing / 4-40 UNC Jack screw	165 X 03329 A
37	Black housing / 4-40 UNC Jack screw	165 X 03339 A
50	Black housing / 4-40 UNC Jack screw	165 X 03349 A
09	Black housing / M3 Jack screw	165 X 03359 A
15	Black housing / M3 Jack screw	165 X 03369 A
25	Black housing / M3 Jack screw	165 X 03379 A
37	Black housing / M3 Jack screw	165 X 03389 A
50	Black housing / M3 Jack screw	165 X 03399 A

D-SUB PLASTIC HOOD METALLIZED		
No. of pos.	Design	Part Number
09	Metallized housing / 4-40 UNC Short screw	165 X 13469 X
15	Metallized housing / 4-40 UNC Short screw	165 X 13479 X
25	Metallized housing / 4-40 UNC Short screw	165 X 13489 X
37	Metallized housing / 4-40 UNC Short screw	165 X 13499 X
50	Metallized housing / 4-40 UNC Short screw	165 X 13509 X
09	Metallized housing / M3 Short screw	165 X 14609 X
15	Metallized housing / M3 Short screw	165 X 14619 X
25	Metallized housing / M3 Short screw	165 X 14629 X
37	Metallized housing / M3 Short screw	165 X 14639 X
50	Metallized housing / M3 Short screw	165 X 14649 X

CABLE GROMMET		
No. of pos.	Design	Part Number
09/15	Cable grommet for 9 and 15 pos. hood	795-907600
25/37	Cable grommet for 25 and 37 pos. hood	795-907700
50	Cable grommet for 50 pos. hood	795-907800

For single packaged add the letter „E“ at the end of the part number.