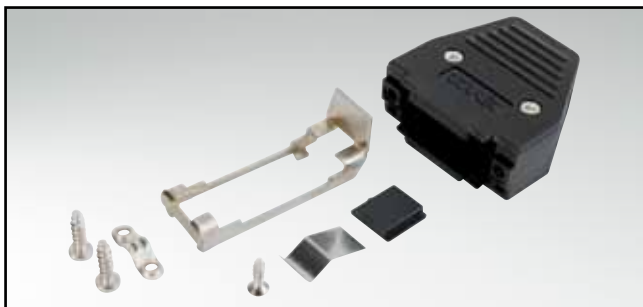


D-SUB PLASTIC HOOD

Straight or side cable entry – 9-50 pos. – Jack screws or slide lock mounting



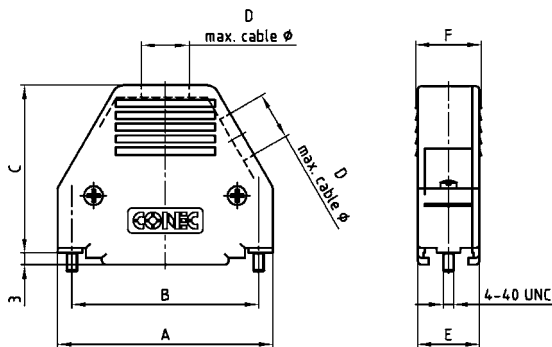
RoHS compliant – CSA listed, File No.: LR 115000-1 – UL listed, File No.: E202784

DESCRIPTION

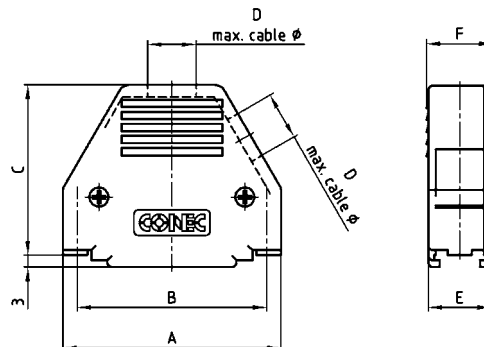
- Integrated strain relief
- Entries not in use are blanked off with blanking plugs
- Material:
 - Plastic hood black: ABS, UL 94 V-0
 - Plastic hood metallized: ABS, UL 94 V-0
- Fastening:
 - 4-40 UNC short screws
 - Slide lock
- Bulk or single packaged units

PRODUCT DRAWING

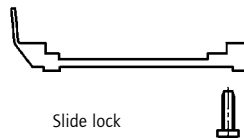
Housing with short slotted screw



Housing with slide lock



No. of pos.	A	B	C	Ø D	E	F
09	32.00	25.00	36.70	6.30	15.50	16.50
15	40.00	33.30	38.20	8.00	15.50	16.50
25	54.20	47.00	42.20	10.50	15.50	16.50
37	70.60	63.50	47.20	11.50	15.50	16.50
50	68.20	61.10	47.20	13.70	19.60	20.60



ORDER DATA

D-SUB PLASTIC HOOD – BLACK		
No. of pos.	Design	Part Number
09	4-40 UNC Short screw	165 X 11239 X
15	4-40 UNC Short screw	165 X 11249 X
25	4-40 UNC Short screw	165 X 11259 X
37	4-40 UNC Short screw	165 X 11269 X
50	4-40 UNC Short screw	165 X 16539 X
09	Slide lock version	165 X 11279 X
15	Slide lock version	165 X 11289 X
25	Slide lock version	165 X 11299 X
37	Slide lock version	165 X 11309 X
50	Slide lock version	165 X 16549 X

D-SUB PLASTIC HOOD – METALLIZED		
No. of pos.	Design	Part Number
09	4-40 UNC Short screw	165 X 11319 X
15	4-40 UNC Short screw	165 X 11329 X
25	4-40 UNC Short screw	165 X 11339 X
37	4-40 UNC Short screw	165 X 11349 X
50	4-40 UNC Short screw	165 X 16559 X
09	Slide lock version	165 X 11359 X
15	Slide lock version	165 X 11369 X
25	Slide lock version	165 X 11379 X
37	Slide lock version	165 X 11389 X
50	Slide lock version	165 X 16569 X

For single packaged add the letter „E“ at the end of the part number.

LOCKING FOR SLIDE LOCK

No. of pos.	Design	Part Number
09-37	Locking hooks for 9-37 pos. hood	795-907600
50	Locking hooks 50 pos. hood	795-907700