


## Protective covers - VS-08-SD-F - 1652606

Please be informed that the data shown in this PDF Document is generated from our Online Catalog. Please find the complete data in the user's documentation. Our General Terms of Use for Downloads are valid (<http://phoenixcontact.com/download>)

Protective cover, IP67, flat design, to cover the contact insert in the panel mounting frame, color: gray



### Key Commercial Data

Packing unit	1 pc
Minimum order quantity	5 pc
GTIN	 4 017918 953034
GTIN	4017918953034
Weight per Piece (excluding packing)	3.640 g
Custom tariff number	39235090
Country of origin	Germany

### Technical data

#### Mechanical characteristics

Connection profile	RJ45
Locking type	without
Color	gray
Degree of protection	IP67

#### Ambient conditions

Ambient temperature (operation)	-40 °C ... 80 °C
Ambient temperature (assembly)	-5 °C ... 55 °C
Ambient temperature (storage/transport)	-40 °C ... 70 °C

#### Material data

## Protective covers - VS-08-SD-F - 1652606

### Technical data

#### Material data

Flammability rating according to UL 94	V0
Housing material	PA
Material	Plastic
Sealing material	EDPM, self-greasing
Seal material	EDPM, self-greasing
Height	10 mm

#### Standards and Regulations

Flammability rating according to UL 94	V0
--	----

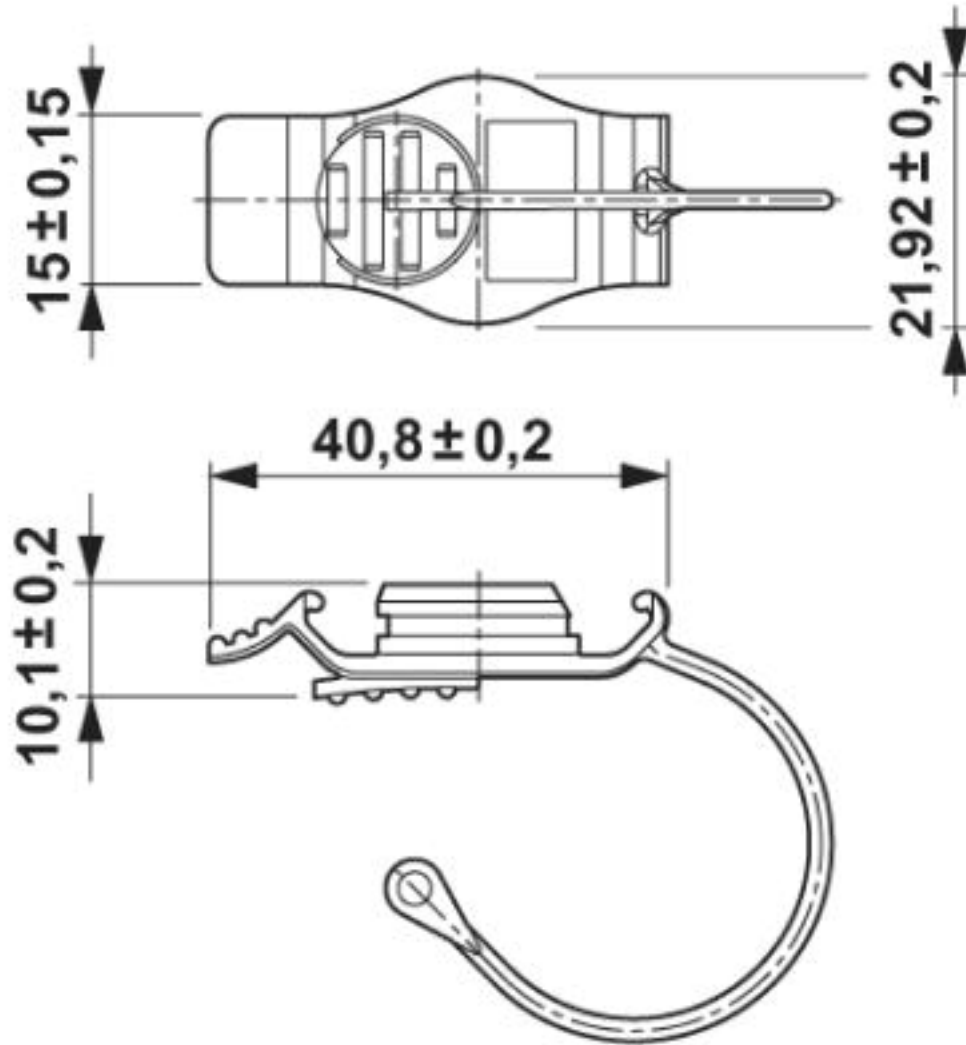
#### Environmental Product Compliance

China RoHS	Environmentally friendly use period: unlimited = EFUP-e
	No hazardous substances above threshold values

### Drawings

# Protective covers - VS-08-SD-F - 1652606

Dimensional drawing



Protective cover, IP67

## Classifications

eCl@ss

eCl@ss 4.0	27141200
eCl@ss 4.1	27141200
eCl@ss 5.0	27149100
eCl@ss 5.1	27149100
eCl@ss 6.0	27261200

## Protective covers - VS-08-SD-F - 1652606

### Classifications

#### eCl@ss

eCl@ss 7.0	27440208
eCl@ss 8.0	27440208
eCl@ss 9.0	27440208

#### ETIM

ETIM 2.0	EC000241
ETIM 3.0	EC002040
ETIM 4.0	EC002314
ETIM 5.0	EC002314
ETIM 6.0	EC002314
ETIM 7.0	EC002314

#### UNSPSC

UNSPSC 6.01	30212113
UNSPSC 7.0901	39121712
UNSPSC 11	39121712
UNSPSC 12.01	39121712
UNSPSC 13.2	39121421

### Approvals

#### Approvals

---

Approvals


EAC

---

Ex Approvals

---

#### Approval details

EAC		B.01742
-----	---	---------

### Accessories

Accessories

Female insert

## Protective covers - VS-08-SD-F - 1652606

### Accessories

RJ45 socket insert - VS-08-BU-RJ45/LP-1 - 1688586



RJ45 socket insert, 1x, for PCB assembly, CAT5, 8-pos., shielded, with angled solder pins

---

RJ45 socket insert - VS-08-BU-RJ45-6/LH-1 - 1653087



RJ45 socket insert, type: RJ45, degree of protection: IP20, number of positions: 8, 1 Gbps, CAT5 (IEC 11801:2002), connection method: Solder connection

---

---