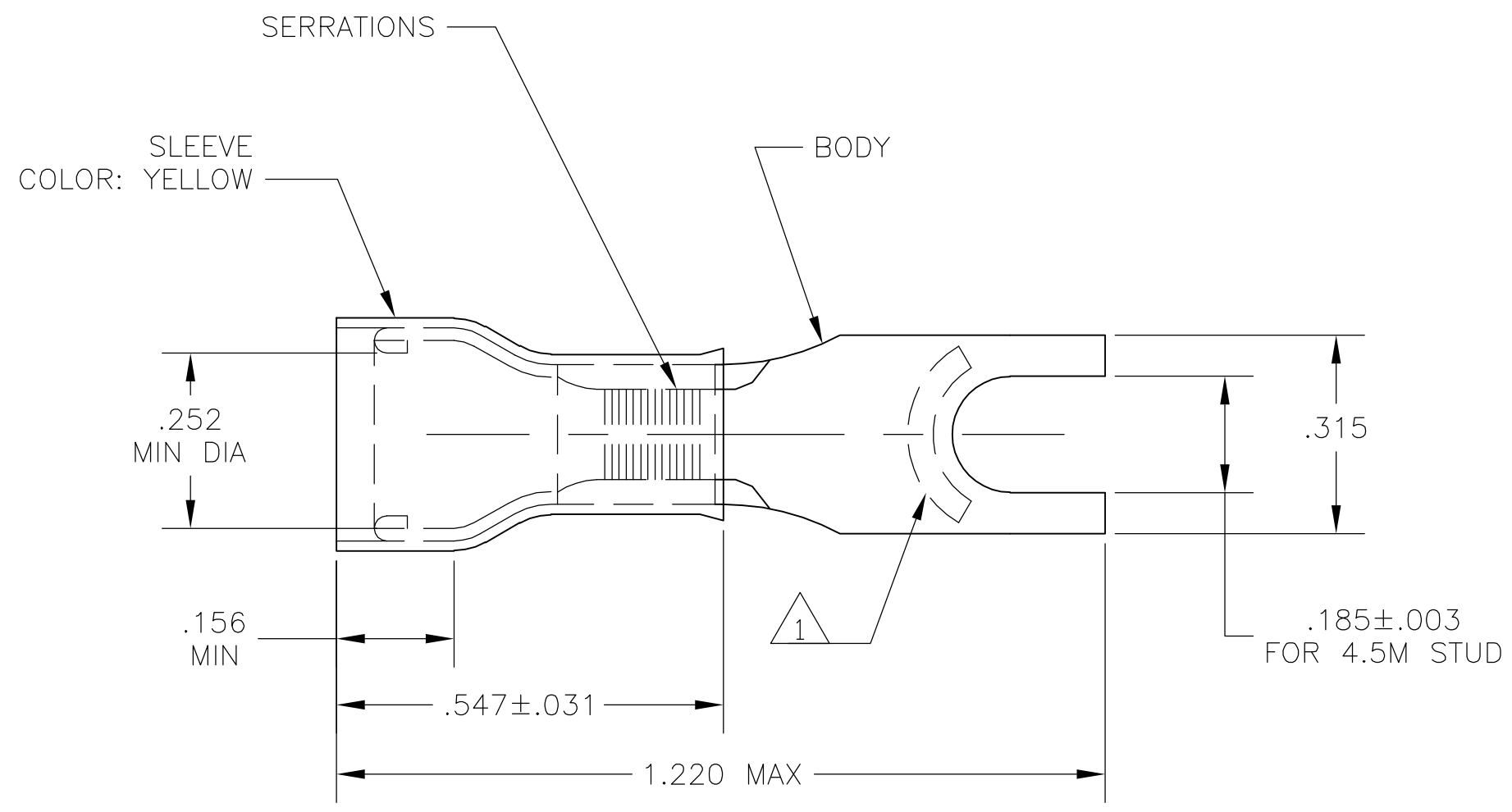


THIS DRAWING IS UNPUBLISHED. RELEASED FOR PUBLICATION  
 © COPYRIGHT - BY TYCO ELECTRONICS CORPORATION. ALL RIGHTS RESERVED.

LOC	DIST	REVISIONS					
G	14	P	LTR	DESCRIPTION	DATE	DWN	APVD
		A	DRAWN		-		-

- 1 STAMP "AMP 12-10\*", LOCATION APPROX AS SHOWN.
- 2 TONGUE THICKNESS IS .039±.002



REEL, ON TAPE	2-165015-1
LOOSE PIECE	165015
PACKAGE TYPE	PART NO

THIS DRAWING IS A CONTROLLED DOCUMENT.		DWN	jr_ruth	20FEB06	<b>tyco</b> <b>Electronics</b>	Tyco Electronics Corporation Harrisburg, PA 17105-3608		
DIMENSIONS: INCHES		CHK	T MICHIELUTTI	20FEB06		NAME		
TOLERANCES UNLESS OTHERWISE SPECIFIED:		APVD	T MICHIELUTTI	20FEB06	PRODUCT SPEC			
0 PLC ± -		APPLICATION SPEC		SIZE		CAGE CODE	DRAWING NO	RESTRICTED TO
1 PLC ± -		-		A3		00779	C-165015	-
2 PLC ± -		-		CUSTOMER DRAWING		SCALE	SHEET	REV
3 PLC ± .008		-		-		4:1	1 OF 1	A
4 PLC ± -		-		-				
ANGLES ± 5'		-		-				
MATERIAL		FINISH		-				
-		-		-				