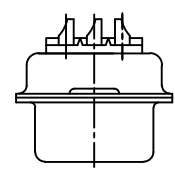
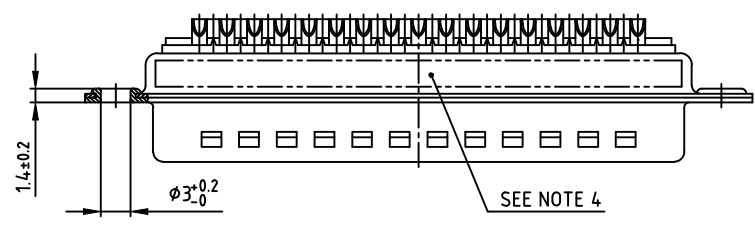
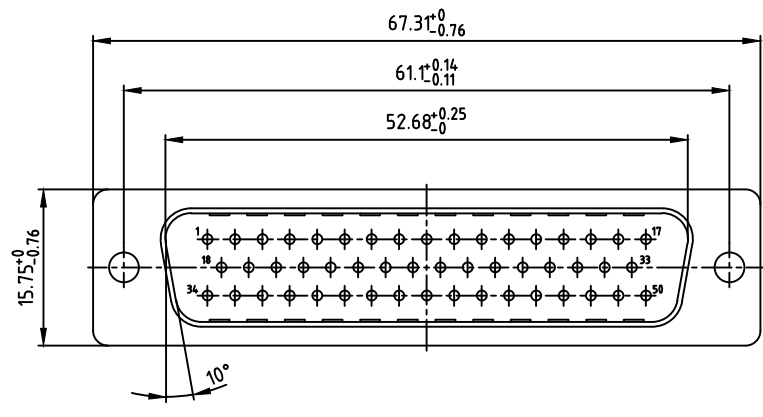
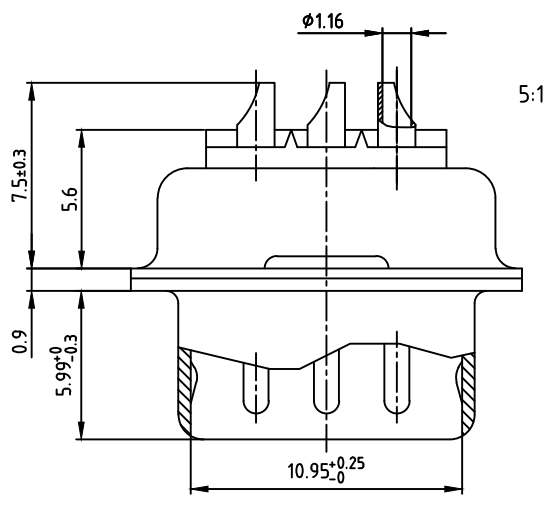


used for: D-SUB



- NOTES:
1. METALSHELLS: STEEL; min. 320µin TIN
 2. INSULATORS: PBT GF UL 94 V-0, BLACK
 3. CONTACTS: COPPER ALLOY
PLATING: GOLD FLASH over NICKEL
SOLDER CUP ACCEPTS CABLE AWG 20
 4. CONNECTOR IS PART MARKED: 163A11109X CONEC ABC

Directive 2002/95/EC RoHS compliant

APPROVAL # FREIGABE # DEBLOCAGE # AUTOR/ZACION # APPROVAL	
CUSTOMER APPROVAL DATE:	
NAME:	TITLE:
COMPANY NAME:	
APPROVAL # FREIGABE # DEBLOCAGE # AUTOR/ZACION # APPROVAL	

THIS DRAWING MAY NOT BE COPIED OR REPRODUCED IN ANY WAY, AND MAY NOT BE PASSED ON TO A THIRD PARTY WITHOUT WRITTEN PERMISSION. OWNERSHIP AND COPYRIGHT OF CONEC GmbH DO NOT ALTER CAD DRAWING BY HAND

rev.	description	date	name
a	Origin		

tolerance		scale: 2:1 (5:1)
		material: SEE NOTES
2006	date	name
drawn	08.02.	Lehmenkühler
appd.	08.02.	Mickenbecker
norm		
d-old		
title:		D-SUB MALE 50pos. SOLDER CUP
dwg no:		
part no:		AutoCAD 2004
		DIN-A
		3
		sh: 1/1
		16K1A1740
		163A11109X

