

16

1634 02

Power supply connectors

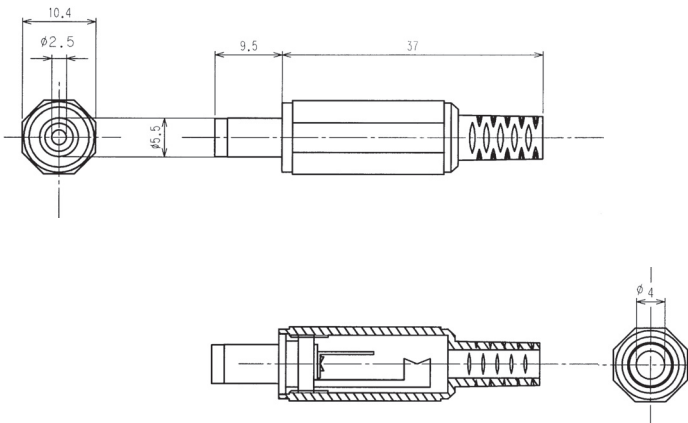


Power supply plug, straight version, with solder eyes and bend protection

State: Active

16

1634 02



Environmental conditions

Temperature range -20 °C/+70 °C

Materials

Insulating body	PF
Contact	Cu alloy, nickel-plated
Insulation	POM
Housing	PE

Mechanical data

Outer diameter	5,5 mm
Inner diameter	2,5 mm

Connectable conductors for solder area

Cable diameter 4 mm

Electrical data (at T_{amb} 20 °C)

Rated current	3 A
Rated voltage	24 V DC
Rated impulse voltage	500 V/60 s
Insulation resistance	≥ 100 MΩ

Associated products

Counterparts		
☞ 1610 05	☞ 1613 21	☞ 1614 10
☞ 1614 15	☞ 1614 20	☞ NEB/J 25
☞ NEB/J 25 C	☞ NEB/J 25 R	☞ NEK/J 250
☞ NES/J 25	☞ NES/J 250	

16

1634 02

Designation	Pole Number	PU (Pieces)	MDQ (Pieces)
1634 02	2	100	500

Packaging:

in bulk, in a cardboard box or a plastic bag