

16

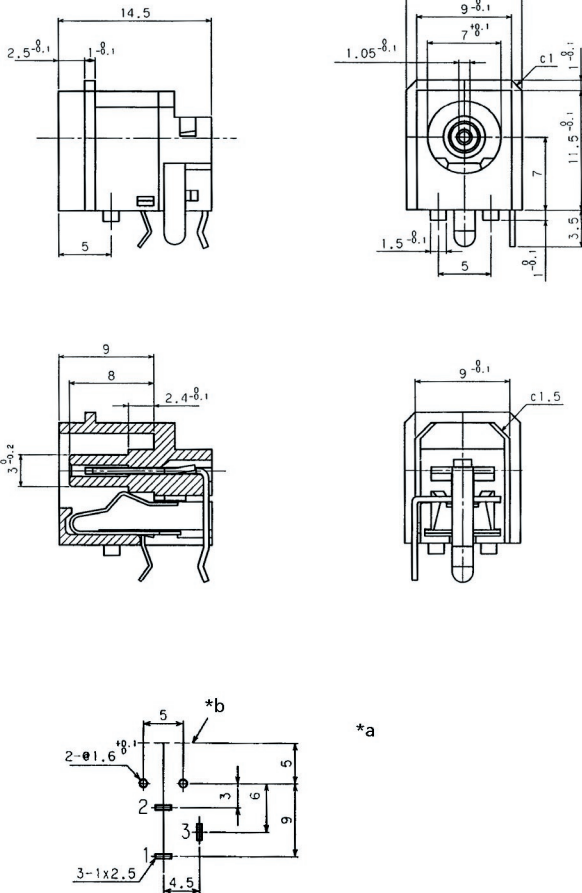
1613 19

Power supply connectors



Power supply chassis socket acc. to JEITA RC-5322 JCBJ11, angular version, with break contact, for printed circuit boards

State: Active



*a printed circuit board layout, solder side view
*b socket front

Environmental conditions

Temperature range -20 °C/+70 °C

Materials

Insulating body PBT GF, V-0 according to UL94
Contact CuZn, silver-plated

Mechanical data

Diameter opening 7,0 mm
Diameter insulation 3,0 mm
Diameter central hole 1,05 mm
Mating cycles ≥ 5000
Insertion force 5–20 N
Withdrawal force 4–15 N

Electrical data (at T_{amb} 20 °C)

Contact resistance ≤ 30 mΩ
Rated current 2 A
Rated voltage 24 V DC
Rated impulse voltage 500 V/60 s
Insulation resistance ≥ 100 MΩ

Associated products

Counterparts
☑ 1636 06

16

1613 19

Designation	Pole Number	PU (Pieces)	MDQ (Pieces)
1613 19	2	250	500

Packaging:

in bulk, in a cardboard box or a plastic bag