



Produktname | *Product name*: COB Kopflampe / *COB Headlight*

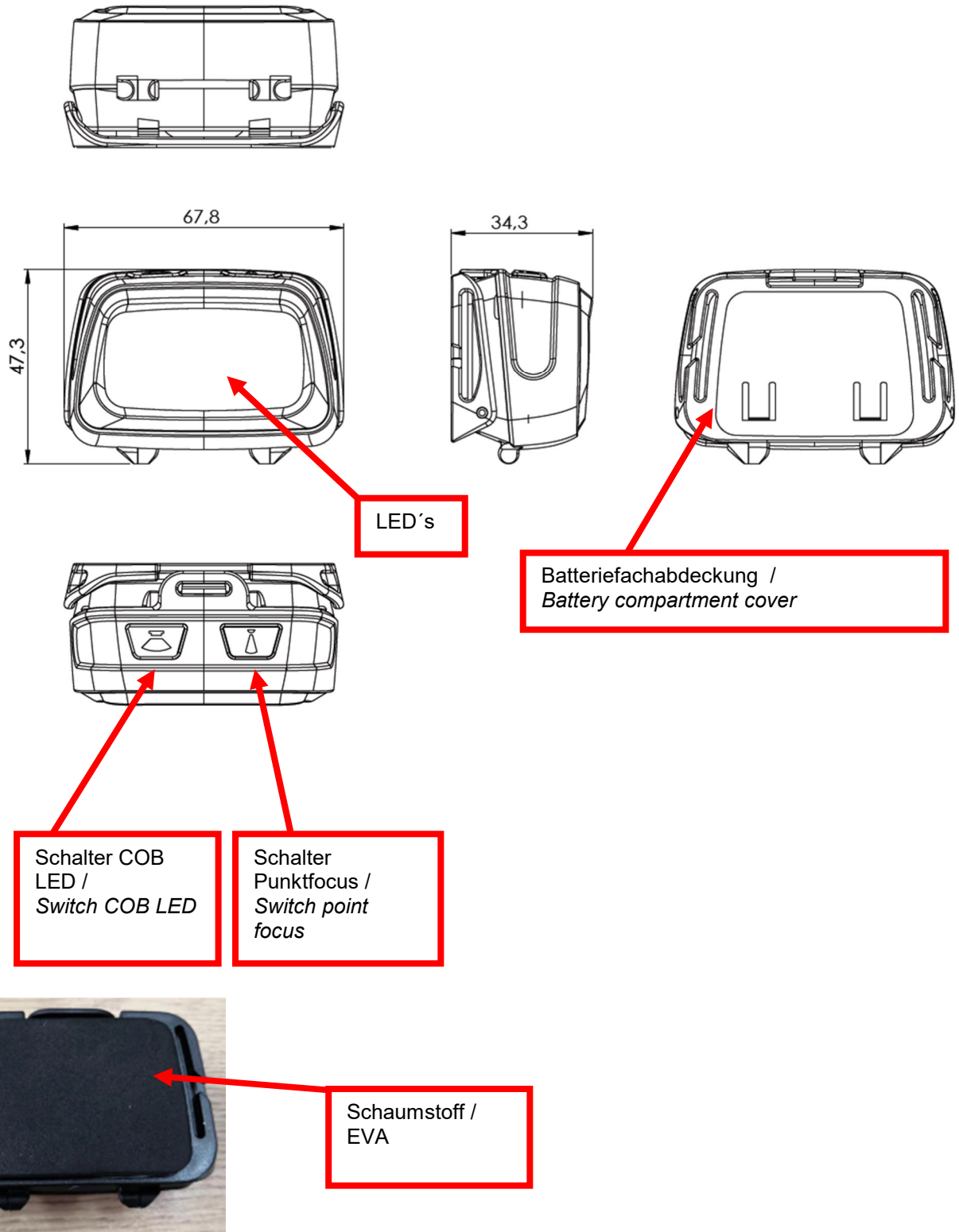
Artikelnummer | *Part Number*: 1600-0198

Anfragenummer | *Inquiry Number*: AN-ML-2017-181

Ersteller / Datum | *Creator / Date*: LHE / 2017-09-11

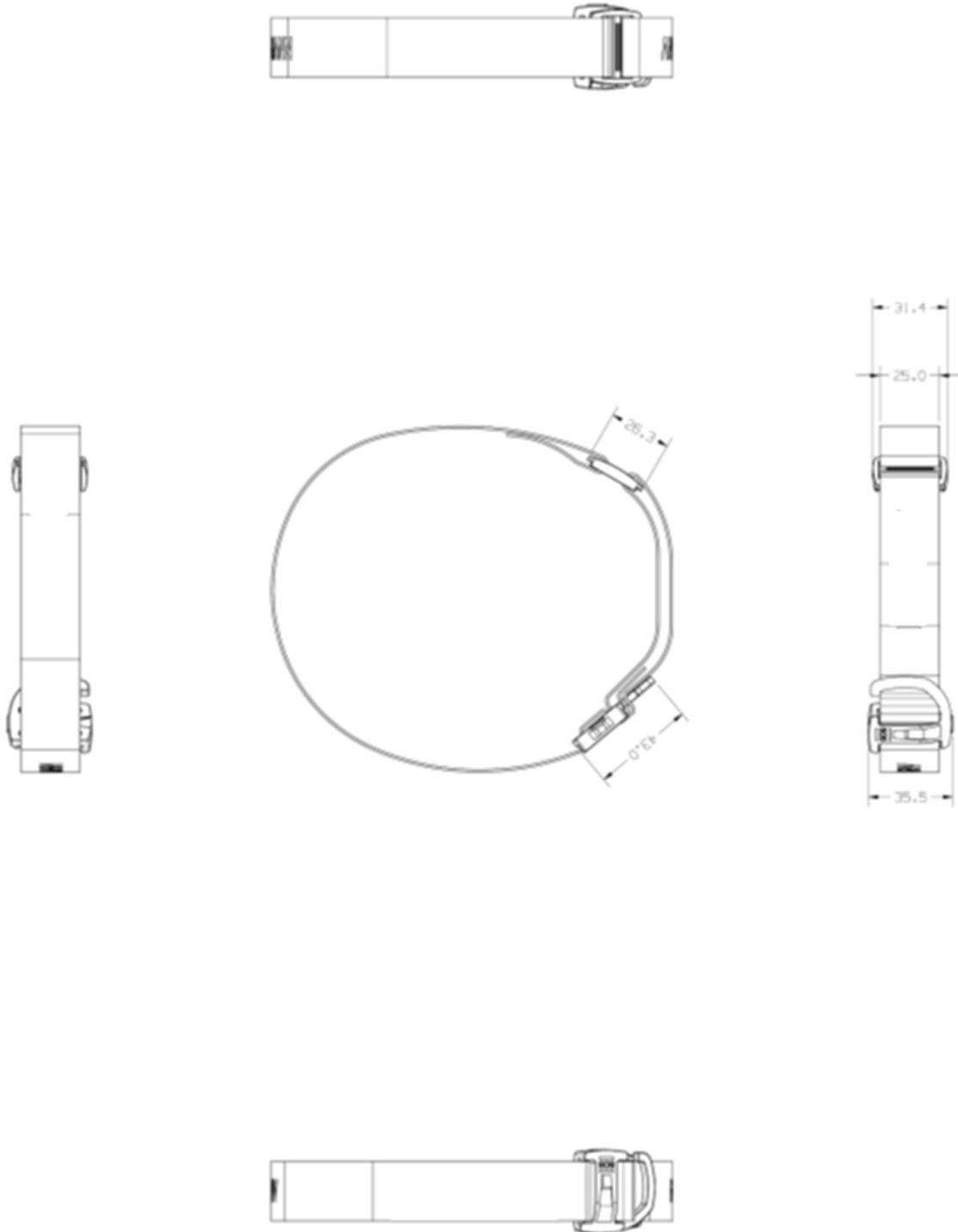
Version	Change	Date	Name
V3	EVA added	2019-12-02	LHE
V2	weight changed	2017-12-04	LHE
V1	Runtime added	2017-10-20	LHE
V0	---	2017-09-11	LHE

Kopflampe / Headlight:



Allowable deviation / general tolerances DIN ISO 2768-c

Kopfband/ Headstrap:



Kopfband-Länge inkl. Verschluss / Headband length incl. lock: 64cm +/- 2cm

Allowable deviation / general tolerances DIN ISO 2768-c

Technische Daten der Kopflampe / Technical data of the headlight:



Mittel-LED-Leuchtmittel:	1 x 3W LED (Punktfokussiert mit etwas Weitwinkel- ausleuchtung)	<i>Middle-LED illuminant:</i>	1x 3W LED (Point focus with some wide angle illumination)
COB-LED:	1x 1.5W LED (Weitwinkel- ausleuchtung)	<i>COB-LED:</i>	1x 1.5W LED (wide angle illumination)
Schalterfunktion:	Schalter 1: 1. Mittel LED 100% + COB LED 100% 2. Mittel LED 100% 3. Aus Schalter 2: 1. COB LED 100% 2. COB LED 30% 3. Aus	<i>Switch function:</i>	Switch 1: 1. Middle LED 100% + COB LED 100% 2. Middle LED 100% 3. Off Switch 2: 1. COB LED 100% 2. COB LED 30% 3. Off

Lichtstrom max.S1 (100% Mittel- und COB- LED): [Lumen]	185lm	<i>Luminous flux (light output) max. S1 (100% - middle and COB LED): [Lumen]</i>	185lm
Lichtstrom max.S2 (COB LED weiß): [Lumen]	125lm	<i>Luminous flux (light output) max. S2 (COB LED white): [Lumen]</i>	125lm
Lichtstrom min. S1 (100% nur Mittel-LED): [Lumen]	130lm	<i>Luminous flux (light output) min. S1 (100% only middle LED): [Lumen]</i>	130lm
Lichtstrom min. S2 (30% nur COB LED): [Lumen]	45lm	<i>Luminous flux (light output) max.S2 (30% only COB LED): [Lumen]</i>	45lm
Leuchtdauer max. S1:	ca. 3Stunden	<i>Run time max. S1:</i>	<i>approx. 3h</i>
Leuchtdauer min. S1:	ca. 5Stunden 30min	<i>Run time min. S1:</i>	<i>approx. 5h 30min</i>
Leuchtdauer max. COB weiß:	ca. 10Stunden	<i>Run time max. COB white:</i>	<i>approx. 10h</i>
Leuchtdauer min. COB weiß:	ca. 15Stunden	<i>Run time min. COB white:</i>	<i>approx. 15h</i>
Leuchtweite max.:	50m	<i>Beam distance max.:</i>	50m
Maximale Beleuchtungsstärke max.: [Lux]	1200lx (Abstand: 1m)	<i>Peak beam illuminance max.: [Lux]</i>	1200lx (Distance: 1m)
Risikogruppe (EN 62471; Bewertet nach DIN IEC/TR 62778 Anhang C.2)	2	<i>Risk group (EN 62471; Assessed with TR 62778 Annex C.2)</i>	2

Benötigte Zellen:	3x AAA Micro 1.5V Batterien (Alkaline; LR03/AM4/MN2400)	<i>Battery:</i>	3x AAA Micro 1.5V batteries (Alkaline; LR03/AM4/MN2400)
Weitere Funktionen:	- 45° drehbares Gelenk	<i>Further functions:</i>	- 45° turn able hinge
Schutzart des Gehäuses:	IP44	<i>Degree of protection by the enclosure:</i>	IP44
Gehäusematerial:	ABS	<i>Housing material:</i>	ABS
Betriebstemperatur:	-10°C...25°C	<i>Operating temperature:</i>	-10°C...25°C
Lagertemperatur:	-10°C...50°C (Nur Alkaline Batterie/Batterien) -20°C...70°C (Nur Lampe)	<i>Storage temperature:</i>	-10°C...50°C (Alkaline battery/batteries only) -20°C...70°C (Torch only)
Empfohlene Lagerbedingungen: (Nur Alkaline Batterie/Batterien)	Temperatur: 5..25°C Luftfeuchtigkeit: 45..75%	<i>Recommended storage conditions: (Alkaline battery/batteries only)</i>	Temperature: 5...25°C Rel. humidity: 45...75 %
Approbationen:	CE	<i>Approvals:</i>	CE
Gewicht:	61g nur die Lampe 94g mit 3 x Batterien (wie oben beschrieben)	<i>Weight:</i>	61g only the torch 94g with 3 x batteries (as described above)
Lieferumfang:	- 3x Batterien (wie oben beschrieben) ANSMANN Label - Kopfband	<i>Shipment:</i>	- 3x batteries (as described above) ANSMANN label - headband
Verpackung:	Klemm-Blister-Verpackung	<i>Package:</i>	Clamp-blister-shell