

# Product data sheet

Specifications

SQUARE D

Green Premium™



## TRANSFORMER DRY 1.5KVA 240X480V-120/240V

1.5S1F

Product availability : Stock - Normally stocked in distribution facility

**Price\* : 724.00 USD**

### Main

Product or Component Type	Dry Sealed Transformer
Primary to Secondary Voltage	240 x 480 V 120/240 V
Full Capacity Taps	0

### Complementary

Enclosure Code	8A
Phase	1 phase
Power Rating	1.5 kVA
Temperature rise	115 °C
Height	8.25 in (209.55 mm)
Width	8.68 in (220.47 mm)
Depth	6.56 in (166.62 mm)
Enclosure mounting	Wall mounted
Net Weight	30.1 lb(US) (13.65 kg) 30.09 lb(US) (13.65 kg)
Enclosure Material	Painted sheet steel

### Environment

Enclosure Type	NEMA 3R
Insulation temperature	356 °F (180 °C)
Product certifications	CSA cULus UL Listed

### Ordering and shipping details

Category	16277-RESIN LVGP XFMR
Discount Schedule	PE2
GTIN	785901019879
Nbr. of units in pkg.	1
Package weight(Lbs)	36.91 lb(US) (16.742 kg)

\* Price is "List Price" and may be subject to a trade discount – check with your local distributor or retailer for actual price.

Returnability	Yes
Country of origin	MX

## Packing Units

Unit Type of Package 1	PCE
Package 1 Height	9.70 in (24.638 cm)
Package 1 width	11.00 in (27.94 cm)
Package 1 Length	12.80 in (32.512 cm)

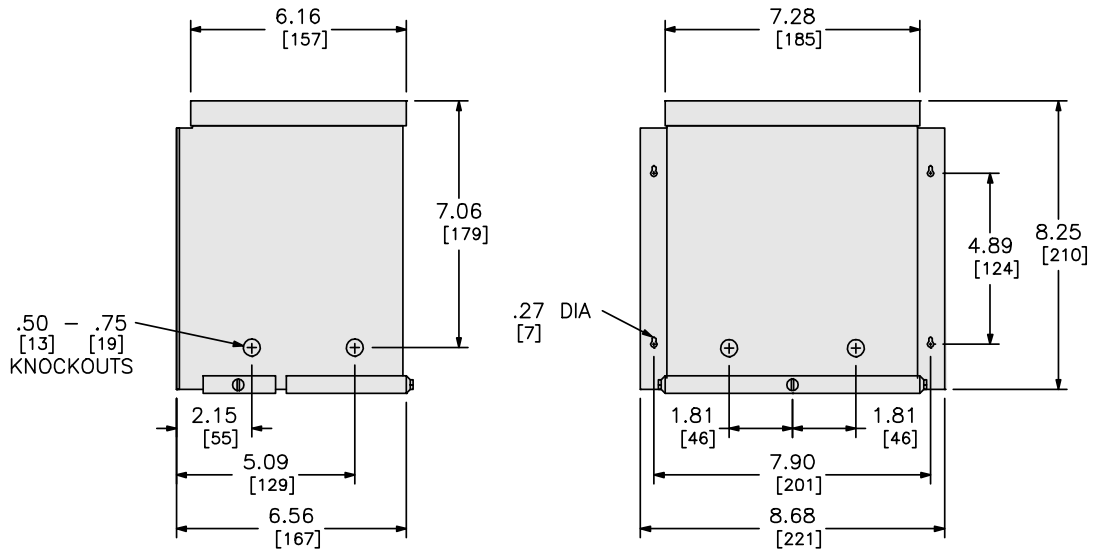
## Offer Sustainability

Sustainable offer status	Green Premium product
California proposition 65	WARNING: This product can expose you to chemicals including: Phenyl glycidyl ether, which is known to the State of California to cause cancer and birth defects or other reproductive harm. For more information go to <a href="http://www.P65Warnings.ca.gov">www.P65Warnings.ca.gov</a>
REACH free of SVHC	Yes
EU RoHS Directive	Compliant <a href="#">EU RoHS Declaration</a>
Toxic heavy metal free	Yes
Mercury free	Yes
RoHS exemption information	<a href="#">Yes</a>
China RoHS Regulation	<a href="#">China RoHS declaration</a> Pro-active China RoHS declaration (out of China RoHS legal scope)
Environmental Disclosure	<a href="#">Product Environmental Profile</a>
PVC free	Yes

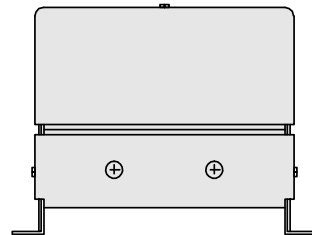
## Contractual warranty

Warranty	18 months
----------	-----------

**Dimensions**

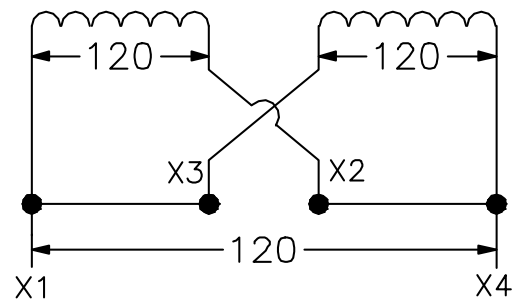
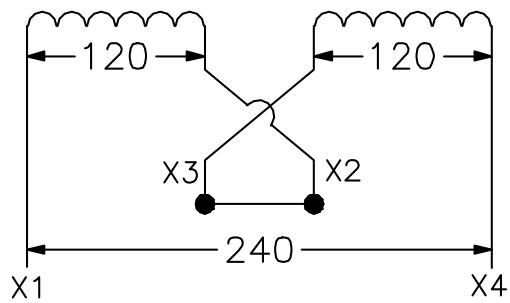
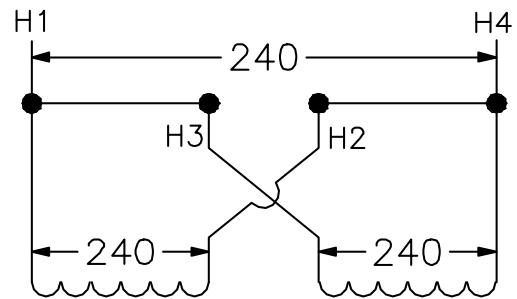
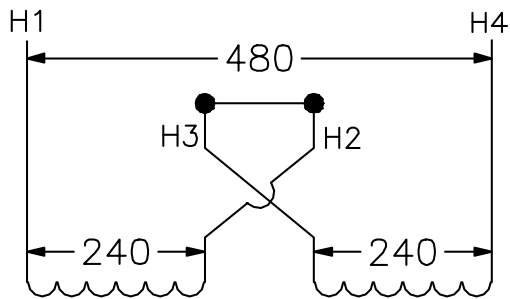


in.  
[mm]



All dimensions are approximate.  
 Also refer to technical drawings and documentation.

Wiring Diagram



SERIES CONNECTION

PARALLEL CONNECTION

240 X 480 VOLT PRIMARY

1.5S1F