



Setting Standards

Home > Products > Industrial Cable Glands > HSK for special applications > HSK-K-MULTI > 1.597.2003.51

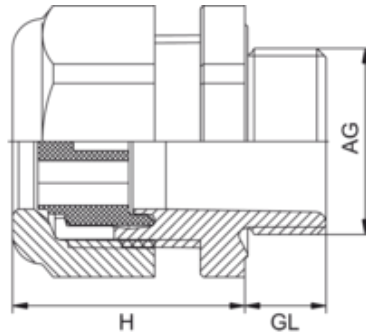
Online Catalogue

1.597.2003.51

HSK-K-MULTI / Metr.



add to list



Advice:

- With additional pre-assembled O-Ring upon request
- Please find suitable O-Ring on page 86
- Other colours and sealing materials upon request
- The shown inserts are samples, more inserts upon request
- Elongated threads on request
- Installation instruction see page 174

Protection:	IP 65/IP 68 possible with ideal fit, only with optional O-Ring	Material	Polyamide V0 according to UL 94
Seal:	Elastomer	Male thread	M20 x 1,5
		colour	black
		Thread Length	9 mm
		Wrench size	24 mm
		H	27 mm
		Number of Holes x d	2 x 5
		Operating-Temperature	-40 - 100 °C