

# SEALCON

**SPECIFICATIONS:**

**Pressure rating:**

IP 65 NEMA 4x, 70 PSIG (5 BAR)

IP 68 possible with Ideal Fit & O-Ring (Customer Tested)

**Materials:**

Body, Dome Nut: Nylon

Spring (Flex extension): Stainless Steel

Splined Bushing: Nylon 6/6

Form Seal & O-Ring: Buna-N (Viton® optional)

**Operating Temperature:**

-40°F to 212°F (-40°C to 100°C)

Short term exposure: 248°F (120°C)

**Note 1: To Substitute a different thread type replace the 5th position with the following: "A" PG Thread, "N" NPT Thread, "M" Metric Thread. e.g. CD09N1-BK becomes CD09A1-BK.**

**Note 2: Not available in Nickel Plated Brass with NPT Threads**

**To Specify Non-Listed Parts:**

• **Strain Relief Fittings with Flex Nut**

Substitute "F" for "D" e.g. CD09N1-BK becomes CF09N1-BK.

• **Snap Elbow Fittings with Dome Nut**

Substitute "E" for "C" e.g. CD09N1-BK becomes ED09N1-BK.

• **Snap Elbow Fittings with Flex Nut**

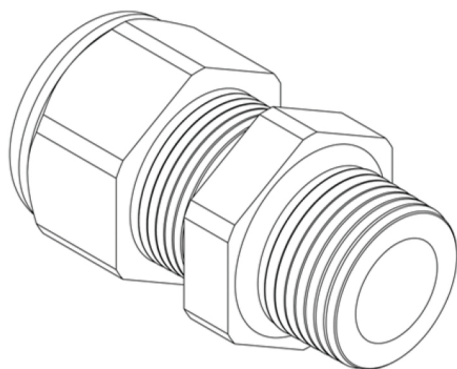
Substitute "EF" for "CD" e.g. CD09N1-BK becomes EF09N1-BK.

• **Nickel Plated Brass Strain Relief Fittings**

Substitute "BR" for "BK" e.g. CD09N1-BK becomes CD09N1-BR.

• **Gray Strain Relief Fittings**

Substitute "GY" for "BK" e.g. CD09N2-BK becomes CD09N2-GY.



Part Numbers		Thread Type & Size	Dimensions in Inches (mm)			
-40°F to 212°F (-40°C to 100°C)			No. of Holes	Diameter of Holes		Part Numbers of Inserts Only
Black	Gray	mm		Inches		
CD07NP-BK	CD07NP-GY	PG 7 / 1/4" NPT	Solid Insert			1.089.0799.19
CD09N1-BK	CD09N1-GY	3/8" NPT	4	1.4	.06	1.089.0900.19
CD09N2-BK	CD09N2-GY		2	3.0	.12	1.089.0901.19
CD09N3-BK	CD09N3-GY		5	1.6	.06	1.089.0902.19
CD09N4-BK	CD09N4-GY		2	1.7	.07	1.089.0903.19
CD09N5-BK	CD09N5-GY		10	1.4	.06	1.089.0904.19
CD09N6-BK	CD09N6-GY		6	1.4	.06	1.089.0905.19
CD09N7-BK	CD09N7-GY		3	1.7	.07	1.089.0906.19
CD09N8-BK	CD09N8-GY		4	1.7	.07	1.089.0907.19
CD09N9-BK	CD09N9-GY		4	2.3	.09	1.089.0908.19
CD09NP-BK	CD09NP-GY		Solid Insert			1.089.0999.19
CD13N1-BK	CD13N1-GY	1/2" NPT	3	2.0	.08	1.089.1300.19
CD13N2-BK	CD13N2-GY		6	3.0	.12	1.089.1301.19
CD13N3-BK	CD13N3-GY		3	4.0	.16	1.089.1302.19
CD13N4-BK	CD13N4-GY		2	5.0	.20	1.089.1303.19
CD13N5-BK	CD13N5-GY		3	3.0	.12	1.089.1304.19
CD13N6-BK	CD13N6-GY		2	5.2	.20	1.089.1305.19
CD13N7-BK	CD13N7-GY		2	3.8	.15	1.089.1306.19
CD13N8-BK	CD13N8-GY		2	4.2	.17	1.089.1307.19
CD13N9-BK	CD13N9-GY		2	2.5	.10	1.089.1308.19
CD13NP-BK	CD13NP-GY		Solid Insert			1.089.1399.19
CD16N1-BK	CD16N1-GY	1/2" NPT (Enlarged)	3	3.0	.12	1.089.1600.19
CD16N2-BK	CD16N2-GY		3	4.0	.16	1.089.1601.19
CD16N3-BK	CD16N3-GY		4	4.0	.16	1.089.1602.19
CD16N4-BK	CD16N4-GY		5	4.0	.16	1.089.1603.19
CD16N5-BK	CD16N5-GY		6	4.0	.16	1.089.1604.19
CD16N6-BK	CD16N6-GY		2	6.0	.24	1.089.1605.19
CD16N7-BK	CD16N7-GY		3	5.6	.22	1.089.1606.19
CD16N8-BK	CD16N8-GY		6	3.0	.12	1.089.1607.19
CD16N9-BK	CD16N9-GY		*4	3.0	.12	*1.089.1610.19
CD16N0-BK	CD16N0-GY		6	3.8	.15	1.089.1909.19
CD16NP-BK	CD16NP-GY		Solid Insert			1.089.1699.19

\*Note: UL F1 rating applies to Black Nylon Fittings onl

\*Note: This Insert has slotted holes.

Part Numbers		Thread Type & Size	Dimensions in Inches (mm)			
-40°F to 212°F (-40°C to 100°C)			No. of Holes	Diameter of Holes		Part Numbers of Inserts Only
Black	Gray	mm		Inches		
CD21N1-BK	CD21N1-GY	3/4" NPT	4	6.0	.24	1.089.2100.19
CD21N2-BK	CD21N2-GY		3	7.0	.28	1.089.2101.19
CD21N3-BK	CD21N3-GY		2	8.0	.31	1.089.2102.19
CD21N4-BK	CD21N4-GY		4	5.0	.20	1.089.2103.19
CD21N5-BK	CD21N5-GY		1	8.0	.31	1.089.2104.19
CD21N6-BK	CD21N6-GY		4	5.2	.20	1.089.2105.19
CD21N7-BK	CD21N7-GY		3	5.2	.20	1.089.2106.19
CD21N8-BK	CD21N8-GY		4/1	5.2/3.7	.20/.15	1.089.2107.19
CD21N9-BK	CD21N9-GY		2	7.4	.29	1.089.2108.19
CD21NP-BK	CD21NP-GY		Solid Insert			1.089.2199.19
CD29N1-BK	CD29N1-GY	1" NPT	6	6.5	.26	1.089.2900.19
CD29N2-BK	CD29N2-GY		4	9.0	.35	1.089.2901.19
CD29N3-BK	CD29N3-GY		4	9.5	.37	1.089.2902.19
CD29N9-BK	CD29N9-GY		2	11.0	.43	1.089.2908.19
CD29NP-BK	CD29NP-GY		Solid Insert			1.089.2999.19
CD29L1-BK	CD29L1-GY	1-1/4" NPT	6	6.5	.26	1.089.2900.19
CD29L2-BK	CD29L2-GY		4	9.0	.35	1.089.2901.19
CD29L3-BK	CD29L3-GY		4	9.5	.37	1.089.2902.19
CD29LP-BK	CD29LP-GY		Solid Insert			1.089.2999.19
CD36A1-BK	CD36A1-GY	1-1/2" NPT	5	9.0	.35	1.089.3600.19
CD36A2-BK	CD36A2-GY		7	9.0	.35	1.089.3601.19
CD36A3-BK	CD36A3-GY		6	8.0	.31	1.089.3602.19
CD36A4-BK	CD36A4-GY		2	15.0	.59	1.089.3603.19
CD36AP-BK	CD32AP-GY		Solid Insert			1.089.3699.19

**NOTES:**

- 1) GENERAL DIMENSIONS DRAWINGS.
- 2) DIMENSIONS [ ] ARE IN INCHES.
- 3) DIMENSIONS NOTED ARE FOR REFERENCE ONLY.

Third angle projection

**SEALCON**

7374 S. Eagle Street Centennial, CO 80112  
 800-456-9012 Toll Free  
 303-699-1135 Phone  
[www.sealconusa.com](http://www.sealconusa.com)  
[info@sealconusa.com](mailto:info@sealconusa.com)