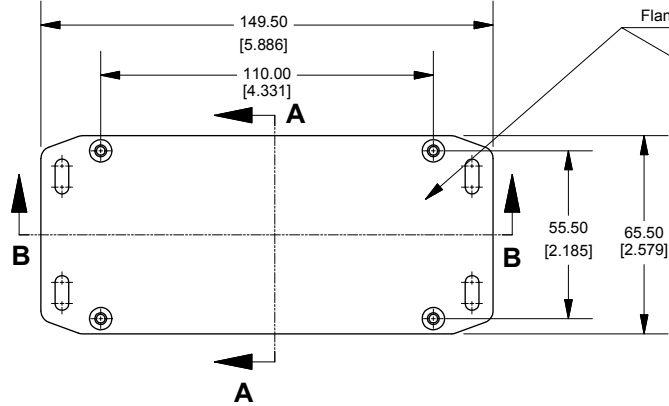
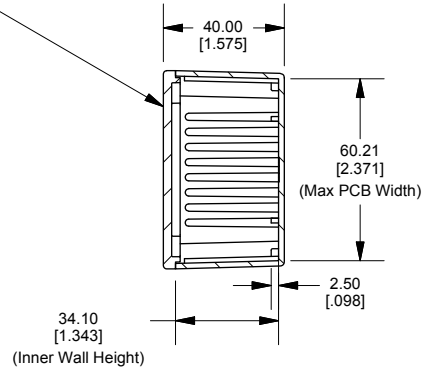


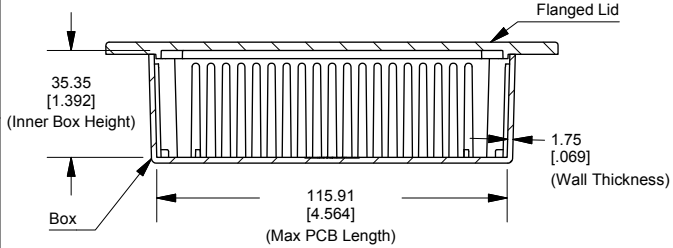
Top View of Assembly



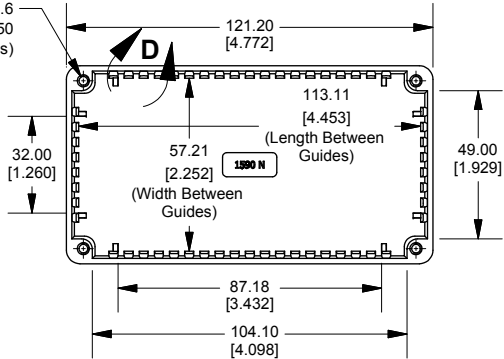
SECTION A-A End View of Assembly



SECTION B-B Side View of Assembly



Top View Looking Inside Box



Enclosures can be Factory Modified (Milling, Drilling, Printing etc.)
 Contact Factory mjm@hammondmfg.com for quotes
 Solid models of this enclosure available in STEP or IGES.

NOTE

Purchased assembly includes box, lid and 4 cover screws.
 Box and lid are made from Diecast Aluminum Alloy.
 Silicone Gasket supplied with liquid resistant enclosure.

PART NUMBERS

1590NFL Enclosure	
Natural Finish Enclosure	1590NFL
Black Textured Enclosure	1590NFLBK
1590NFL Liquid Resistant Enclosure (Silicone Gasket)	
Natural Finish Enclosure	1590WNFL
Black Textured Enclosure	1590WNFLBK

ACCESSORIES

Recommended Torque: 75 ozf.in / 55 cN.m

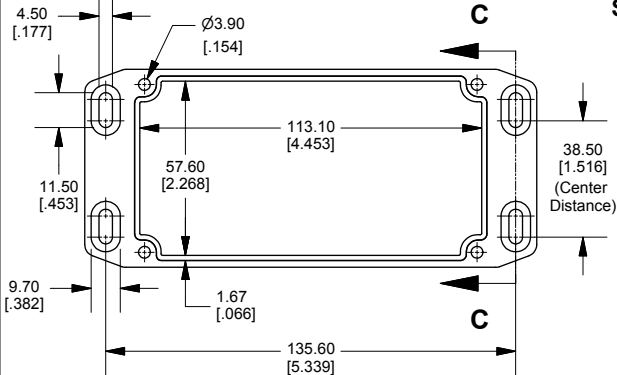
Liquid Resistant Cover Screws

Stainless Steel Cover Screws (Pkg 100) [M3.5 x 12mm, With O-Ring]	1550WMS100
Black Stainless Steel Cover Screws (Pkg 100) [M3.5 x 12mm, With O-Ring]	1550WMS100BK

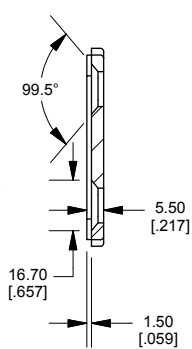
Standard Cover Screws

Plated Cover Screws (Pkg 100) [M3.5 x 12mm]	1550MS100
Black Cover Screws (Pkg 100) [M3.5 x 12mm]	1550MS100BK

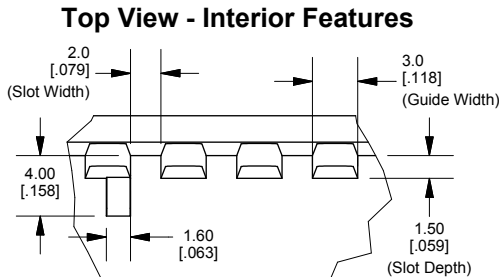
Flanged Lid



SECTION C-C Side View of Slot



DETAIL D



Dimensions:
mm
[inches]