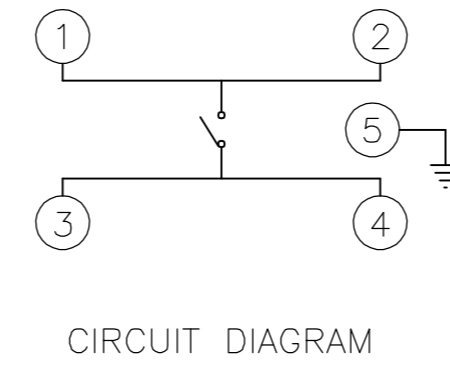
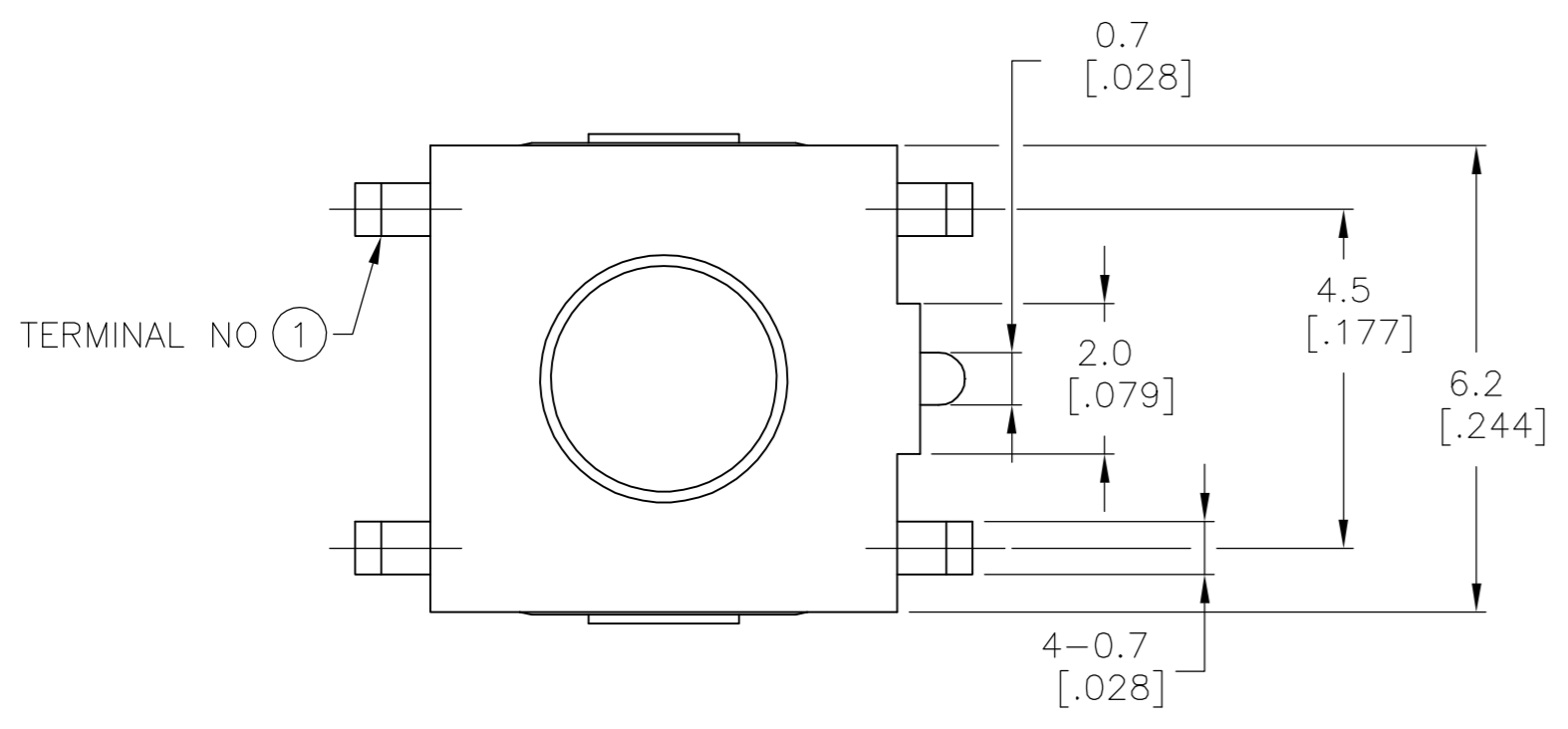


THIS DRAWING IS UNPUBLISHED. RELEASED FOR PUBLICATION  
 © COPYRIGHT BY TYCO ELECTRONICS CORPORATION. ALL RIGHTS RESERVED.

Loc		DIST		REVISIONS			
P	LTR	DESCRIPTION		DATE	DWN	APVD	
B		ECO 06 002417		18AUG06	BSV	MS	

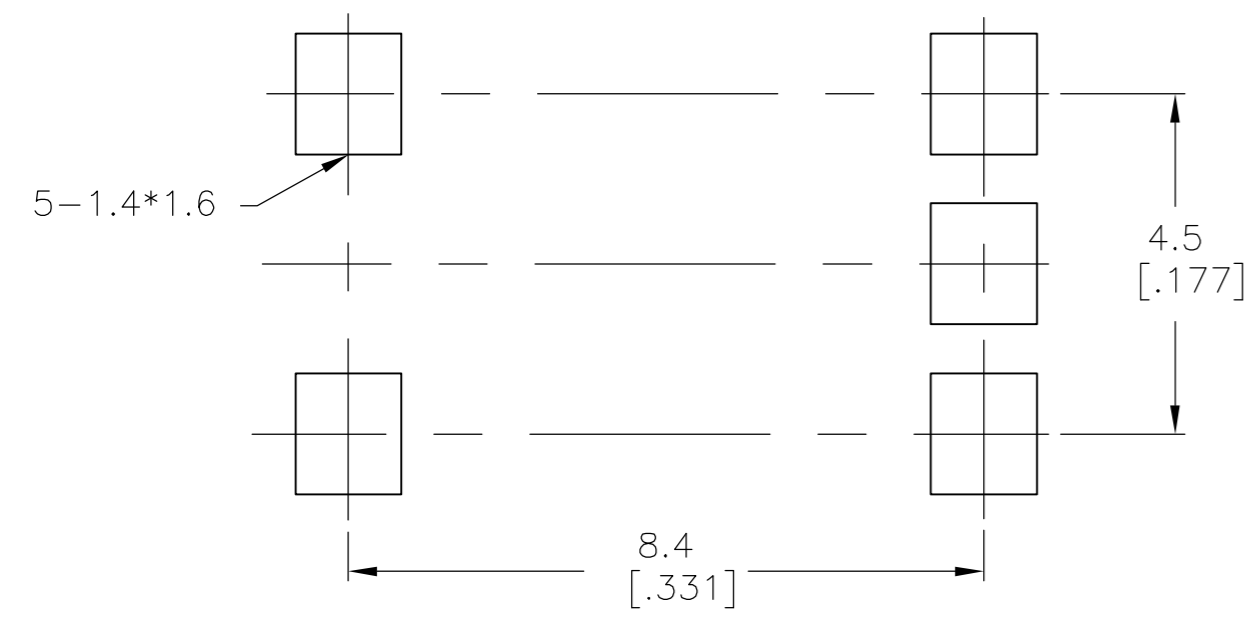
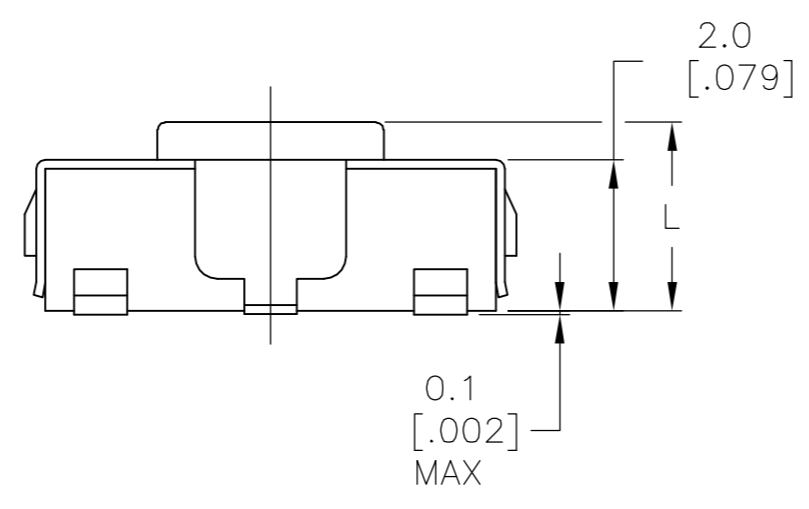
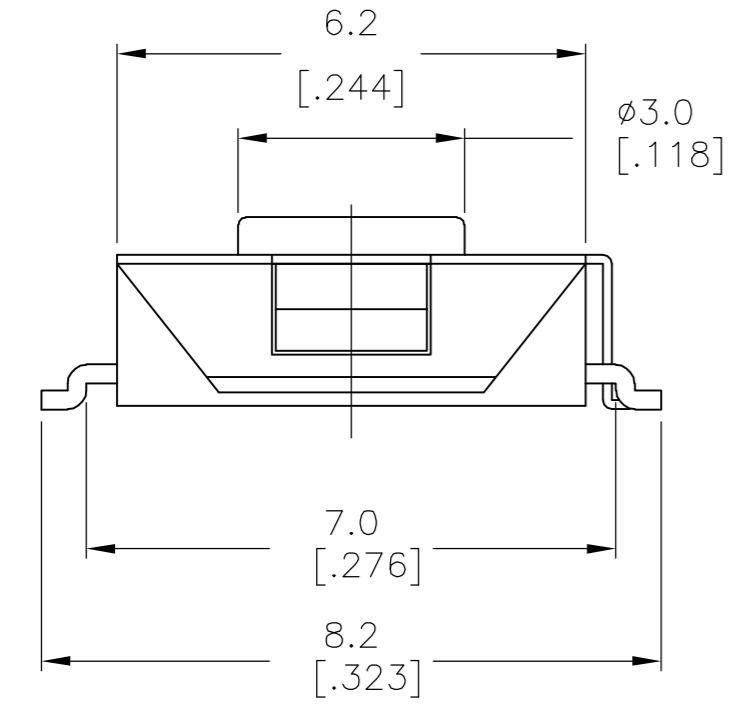


**SPECIFICATIONS:**  
**MATERIALS:**  
 HOUSING, THERMOPLASTIC, UL94-V0, BLACK  
 ACTUATOR, THERMOPLASTIC, UL94-V0, COLOR SEE TABLE  
 TERMINAL, COPPER ALLOY, PLATE- SILVER OVER NICKEL  
 COVER, COPPER ALLOY, TIN PLATE  
 CONTACT, STAINLESS STEEL, SILVER PLATE

**ELECTRICAL:**  
 CONTACT RATING, 50MA@12VDC, PER EIA-448, METHOD 6  
 INITIAL CONTACT RESISTANCE, 100 MILLIOHMS MAX, PER EIA-364-23B, EACH POSITION  
 INSULATION RESISTANCE, 100 MEGOHM MIN. PER EIA-364-21C EACH POSITION  
 DIELECTRIC STRENGTH, 250 V AC FOR 1 MINUTE, PER EIA-364-20B, CONDITION 1, EACH POSITION.  
 CONTACT BOUNCE, 10 MILLISECOND MAX, PER EIA 448-1B, METHOD 15

**MECHANICAL:**  
 ACTUATION FORCE, SEE TABLE  
 ACTUATION TRAVEL, .35 +/- .2 MM  
 LIFE EXPECTANCY, SEE TABLE, VALUES GIVEN ARE MINIMUM, (2 CYCLES PER SECOND AND 150% ACTUATION FORCE), PER EIA-448 METHODS 8 & 9  
 VIBRATION, PER EIA 364-28D, CONDITION VII, LEVEL E, DURATION 1.5 HOURS  
 MECHANICAL SHOCK, PER EIA-364-27C, CONDITION A

**ENVIRONMENTAL:**  
 OPERATING TEMPERATURE, -20 TO +70 DEGREES C, PER EIA-448, METHOD 10 (2 CYCLES PER SECOND)  
 STORAGE TEMPERATURE, -30 TO +80 DEGREES C  
 HUMIDITY AND TEMPERATURE CYCLING PER EIA-364-31B, METHOD III  
 THERMAL SHOCK, PER EIA-364-32C, -30 TO +80 DEGREES C  
 SOLDERABILITY, PER EIA-364-52, CLASS 2, CATEGORY 1, TEMP, 245 DEGREES C MAX, TIME, 2.5 SECONDS MAX, 95% MINIMUM COVERAGE  
 RESISTANCE TO SOLDER HEAT, PER EIA-364-56A, PROCEDURE 4 & 5, LEVEL 3  
 1. NO CHANGE IN INITIAL ELECTRICAL AND MECHANICAL CHARACTERISTICS  
 TAPE AND REEL PACKAGING PER EIA 481, TAPE WIDTH 12MM, PITCH 8.0MM, 3000 PER REEL



P.C.B MOUNTING SOLDER LAND DIMENSION

COLOR	PACKAGING	CYCLE LIFE	FORCE	DIM L	PART NUMBER
VIOLET	T&R	100,000	260±50gf	2.5mm	1-1571636-0
VIOLET	BULK	100,000	260±50gf	2.5mm	1571636-9
RED	T&R	1,000,000	160±50gf	2.0mm	1571636-8
RED	BULK	1,000,000	160±50gf	2.0mm	1571636-7
RED	T&R	1,000,000	160±50gf	2.5mm	1571636-6
RED	BULK	1,000,000	160±50gf	2.5mm	1571636-5
GREEN	T&R	1,000,000	100±50gf	2.5mm	1571636-4
GREEN	BULK	1,000,000	100±50gf	2.5mm	1571636-3
IVORY	T&R	1,000,000	50±30gf	2.5mm	1571636-2
IVORY	BULK	1,000,000	50±30gf	2.5mm	1571636-1

THIS DRAWING IS A CONTROLLED DOCUMENT.

DWN	M.BINNER	22SEP03	Tyco Electronics Corporation Harrisburg, Pa 17105-3608
CHK	M.SARVER	22SEP03	
APVD	M.SARVER	22SEP03	
PRODUCT SPEC			
NAME	PUSHBUTTON SWITCH, 6X6 mm, SMT, GULL WING, W/ESD TERMINAL		
APPLICATION SPEC			
WEIGHT	-	SIZE	A2
CUSTOMER DRAWING	SCALE	10:1	SHEET 1 OF 1

RESTRICTED TO: -

1571636