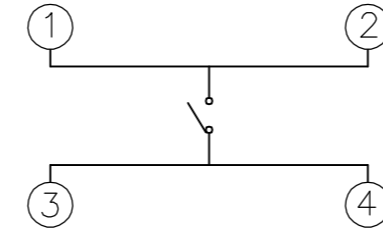
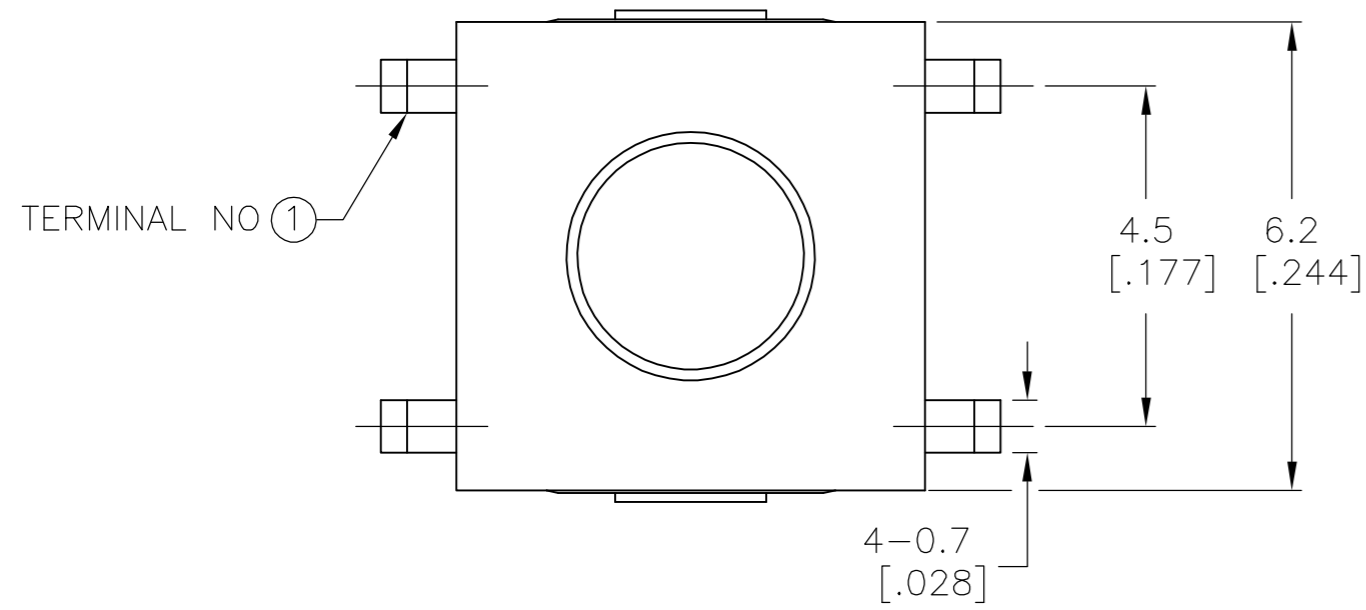
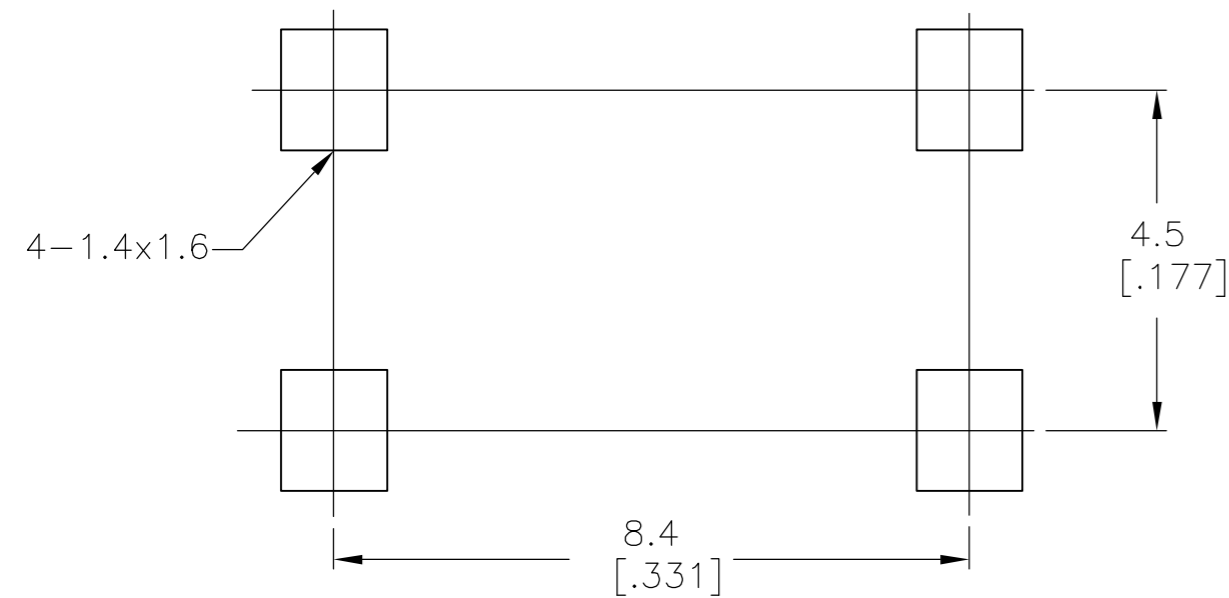
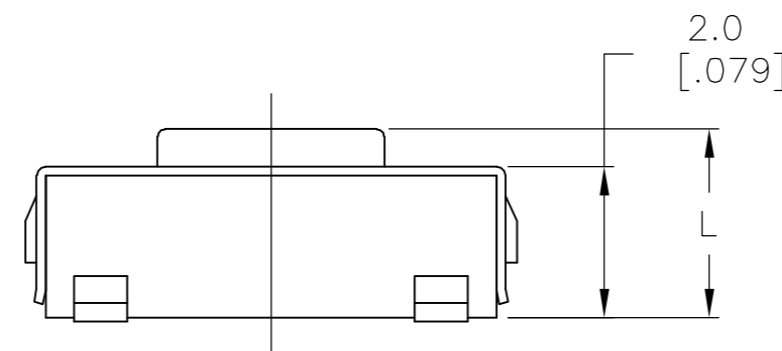
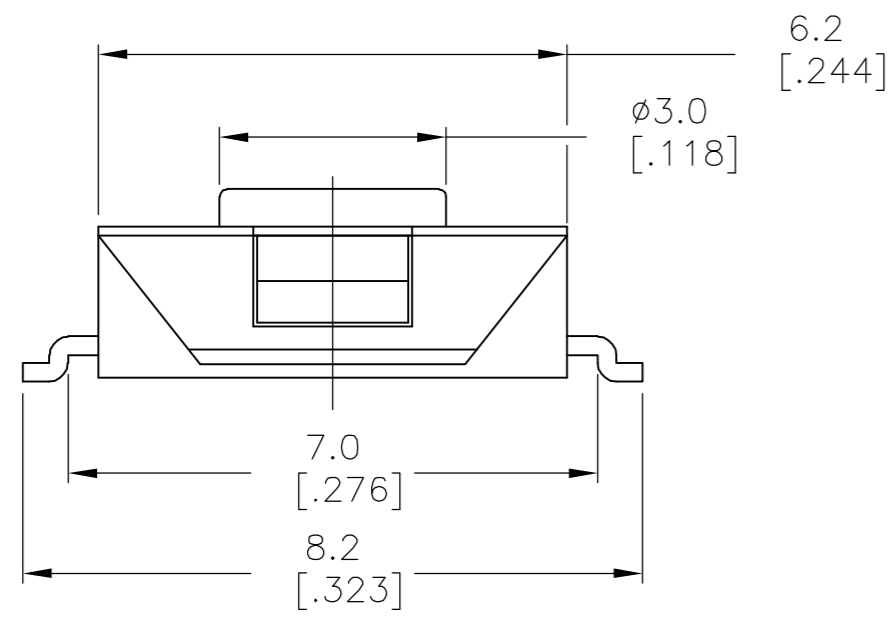


THIS DRAWING IS UNPUBLISHED. RELEASED FOR PUBLICATION 1571626, 1571626  
 © COPYRIGHT 1571626 BY TYCO ELECTRONICS CORPORATION. ALL RIGHTS RESERVED.

LOC	DIST	REVISIONS					
		P	LTR	DESCRIPTION	DATE	DWN	APVD
AD	00	B		ECO 06 002417	18AUG06	BSV	MS



CIRCUIT DIAGRAM



P.C.B MOUNTING SOLDER LAND DIMENSION

SPECIFICATIONS:

MATERIAL:

HOUSING, THERMOPLASTIC, UL94-V0, BLACK  
 ACTUATOR, THERMOPLASTIC, UL94-V0, COLOR SEE TABLE  
 TERMINAL, COPPER ALLOY, PLATE- SILVER OVER NICKEL  
 COVER, COPPER ALLOY, TIN PLATE  
 CONTACT, STAINLESS STEEL, SILVER PLATE

ELECTRICAL:

CONTACT RATING, 50mA@12VDC, PER EIA-448, METHOD 6  
 INITIAL CONTACT RESISTANCE, 100 MILLIOHMS MAX, PER EIA-364-23B, EACH POSITION  
 INSULATION RESISTANCE, 100 MEGOHM MIN. PER EIA-364-21C EACH POSITION  
 DIELECTRIC STRENGTH, 500 V AC FOR 1 MINUTE, PER EIA-364-20B, CONDITION 1, EACH POSITION.  
 CONTACT BOUNCE, 10 MILLISECOND MAX, PER EIA 448-1B, METHOD 15

MECHANICAL:

ACTUATION FORCE, SEE TABLE  
 ACTUATION TRAVEL, .25+/- .1 mm  
 LIFE EXPECTANCY, SEE TABLE, VALUES GIVEN ARE MINIMUM, (2 CYCLES PER SECOND AND 150% ACTUATION FORCE), PER EIA-448 METHODS 8 & 9  
 VIBRATION, PER EIA 364-28D, CONDITION VII, LEVEL E, DURATION 1.5 HOURS  
 MECHANICAL SHOCK, PER EIA-364-27C, CONDITION A

ENVIRONMENTAL

OPERATING TEMPERATURE, -20 TO +85 DEGREES C, PER EIA-448, METHOD 10 (2 CYCLES PER SECOND)  
 STORAGE TEMPERATURE, -30 TO +85 DEGREES C  
 HUMIDITY AND TEMPERATURE CYCLING PER EIA-364-31B, METHOD III  
 THERMAL SHOCK, PER EIA-364-32C, -30 TO +80 DEGREES C  
 SOLDERABILITY, PER EIA-364-52, CLASS 2, CATEGORY 1, TEMP, 245 DEGREES C MAX, TIME, 2.5 SECONDS MAX, 95% MINIMUM COVERAGE  
 RESISTANCE TO SOLDER HEAT, PER EIA-364-56A, PROCEDURE 4 & 5, LEVEL 3  
 1. NO CHANGE IN INITIAL ELECTRICAL AND MECHANICAL CHARACTERISTICS  
 TAPE AND REEL PACKAGING PER EIA 481, TAPE WIDTH 12mm, PITCH 8.0mm, 3000 PER REEL

COLOR	PACKAGING	CYCLE LIFE	FORCE	DIM L	PART NO.
VIOLET	T&R	1,00,000	260±50gf	2.5mm	1571626-0
VIOLET	BULK	1,00,000	260±50gf	2.5mm	1571626-9
RED	T&R	1,000,000	160±50gf	2.5mm	1571626-8
RED	BULK	1,000,000	160±50gf	2.5mm	1571626-7
RED	T&R	1,000,000	160±50gf	2.5mm	1571626-6
RED	BULK	1,000,000	160±50gf	2.5mm	1571626-5
GREEN	T&R	1,000,000	100±50gf	2.5mm	1571626-4
GREEN	BULK	1,000,000	100±50gf	2.5mm	1571626-3
IVORY	T&R	1,000,000	50±30gf	2.5mm	1571626-2
IVORY	BULK	1,000,000	50±30gf	2.5mm	1571626-1

THIS DRAWING IS A CONTROLLED DOCUMENT.		DWN M.BINNER 22SEP03	Tyco Electronics Corporation Harrisburg, Pa 17105-3608	
DIMENSIONS: mm [INCHES]		CHK M.SARVER 22SEP03		
TOLERANCES UNLESS OTHERWISE SPECIFIED:		APVD M.SARVER 22SEP03	NAME PUSHBUTTON SWITCH, 6X6 mm, SMT, GULL WING	
0 PLC ± - 1 PLC ± 0.3 2 PLC ± - 3 PLC ± - 4 PLC ± - ANGLES ± - FINISH -		PRODUCT SPEC -	SIZE A2	CAGE CODE -
MATERIAL SEE NOTES		WEIGHT -	DRAWING NO C=1571626	RESTRICTED TO -
		CUSTOMER DRAWING	SCALE 10:1	SHEET 1 OF 1
			REV B	

1571626