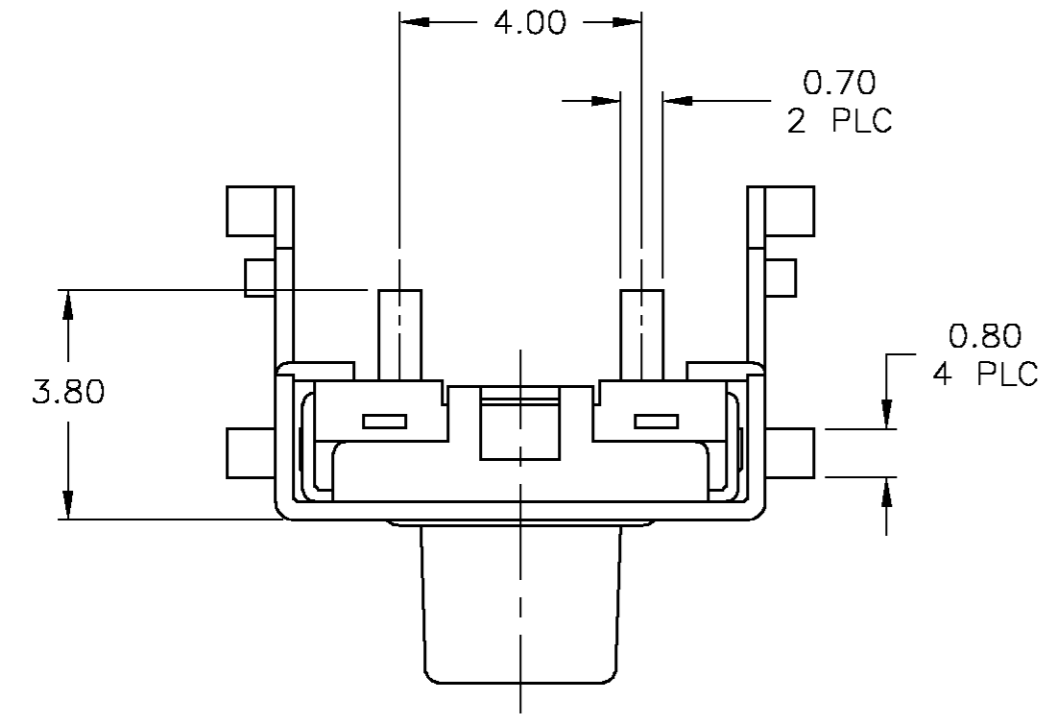


THIS DRAWING IS UNPUBLISHED. RELEASED FOR PUBLICATION  
 © COPYRIGHT BY TYCO ELECTRONICS CORPORATION. ALL RIGHTS RESERVED.

LOC		DIST		REVISIONS			
AD	00	P	LTR	DESCRIPTION	DATE	DWN	APVD
		F		REV PER 0G3C-0411-04	16NOV04	JR	MS



CIRCUIT DIAGRAM

SPECIFICATIONS

MATERIALS

- CASE: THERMOPLASTIC, UL94V-0, BLACK
- ACTUATOR: THERMOPLASTIC, UL94V-0, BLACK
- COVER: NICKEL SILVER
- SEAL: SILICON RUBBER, BLACK
- CONTACT: STAINLESS STEEL, PLATING-SILVER
- TERMINAL: BRASS, PLATING-SILVER/NICKEL
- BRACKET: CARBON STEEL, PLATING-TIN/NICKEL

ELECTRICAL

- CONTACT RATING: 12VDC, 50mA
- INITIAL CONTACT RESISTANCE: 100 MILLIOHMS MAX, PER EIA RS-448, METHOD 1
- INSULATION RESISTANCE: 100 MEGOHMS MIN @ 100VDC PER EIA RS-186-13E
- DIELECTRIC STRENGTH: 500 VAC 50/60 Hz FOR 1 MINUTE PER EIA RS-186-4E
- CONTACT BOUNCE: 10 MILLISECOND MAX PER EIA-448-18, METHOD 15

MECHANICAL

- ACTUATOR OPERATING FORCE: SEE TABLE
- ACTUATOR TRAVEL: 0.35±0.2mm

DURABILITY

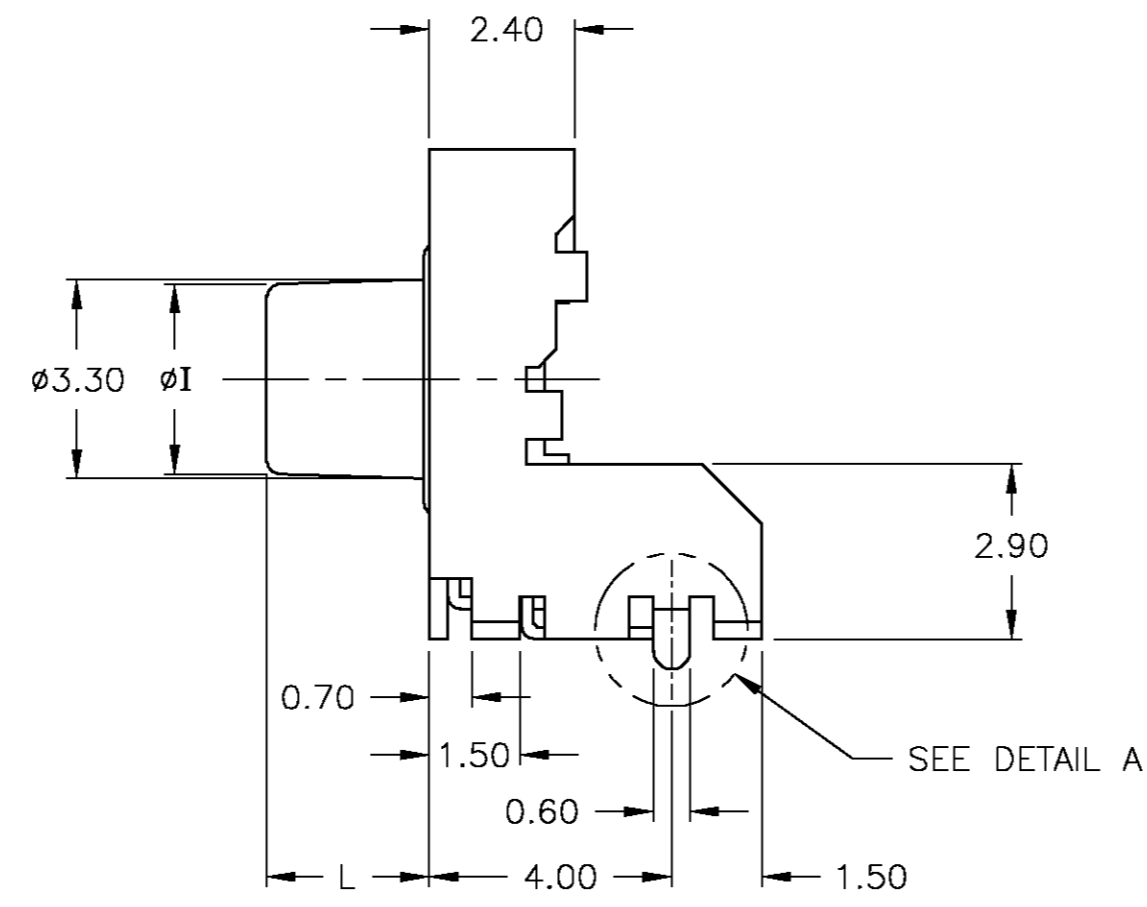
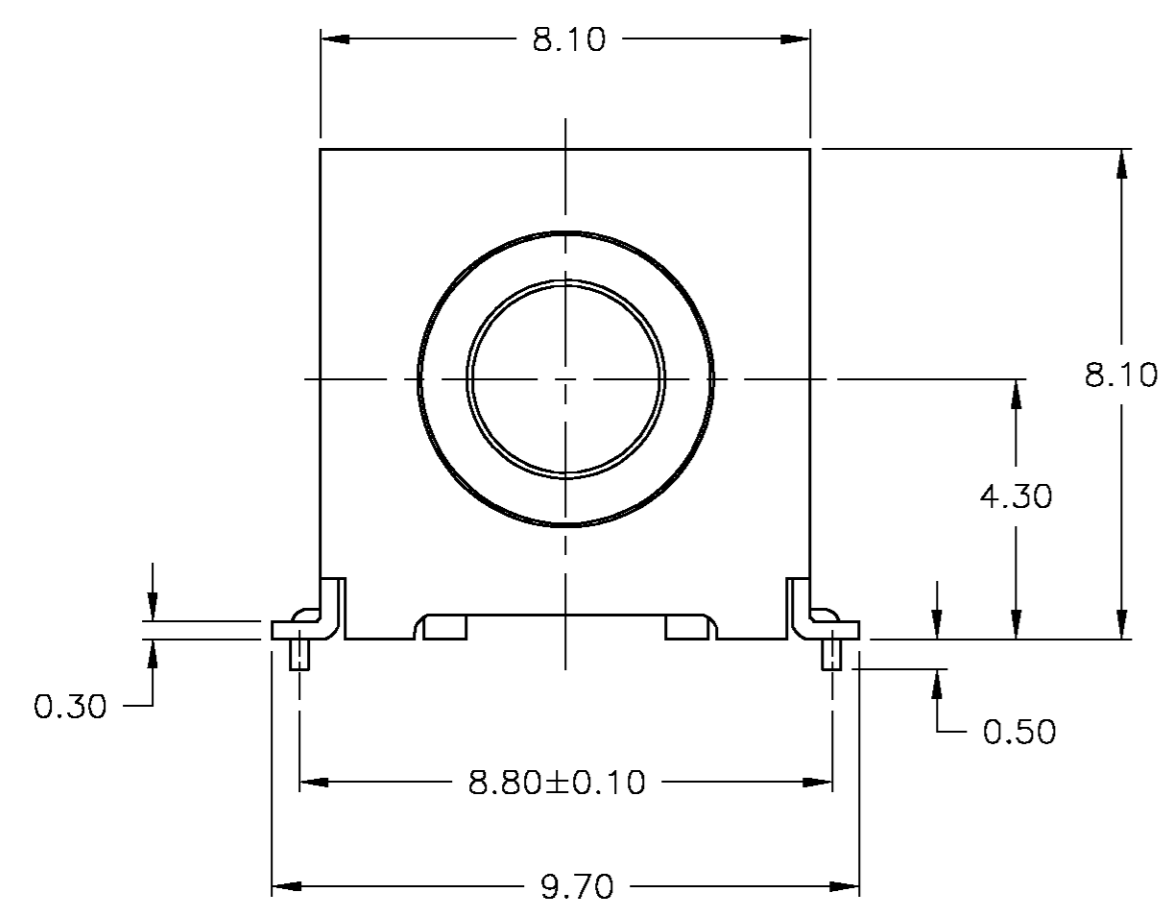
- UP TO 1,000,000 CYCLES, AT RATED LOAD PER EIA-RS-448, METHOD 8
- FINAL CONTACT RESISTANCE: 200 MILLIOHMS MAX
- CONTACT BOUNCE: 20 MILLISECONDS MAX
- ACTUATOR FORCE: WITHIN ±30% OF INITIAL VALUE

ENVIRONMENTAL

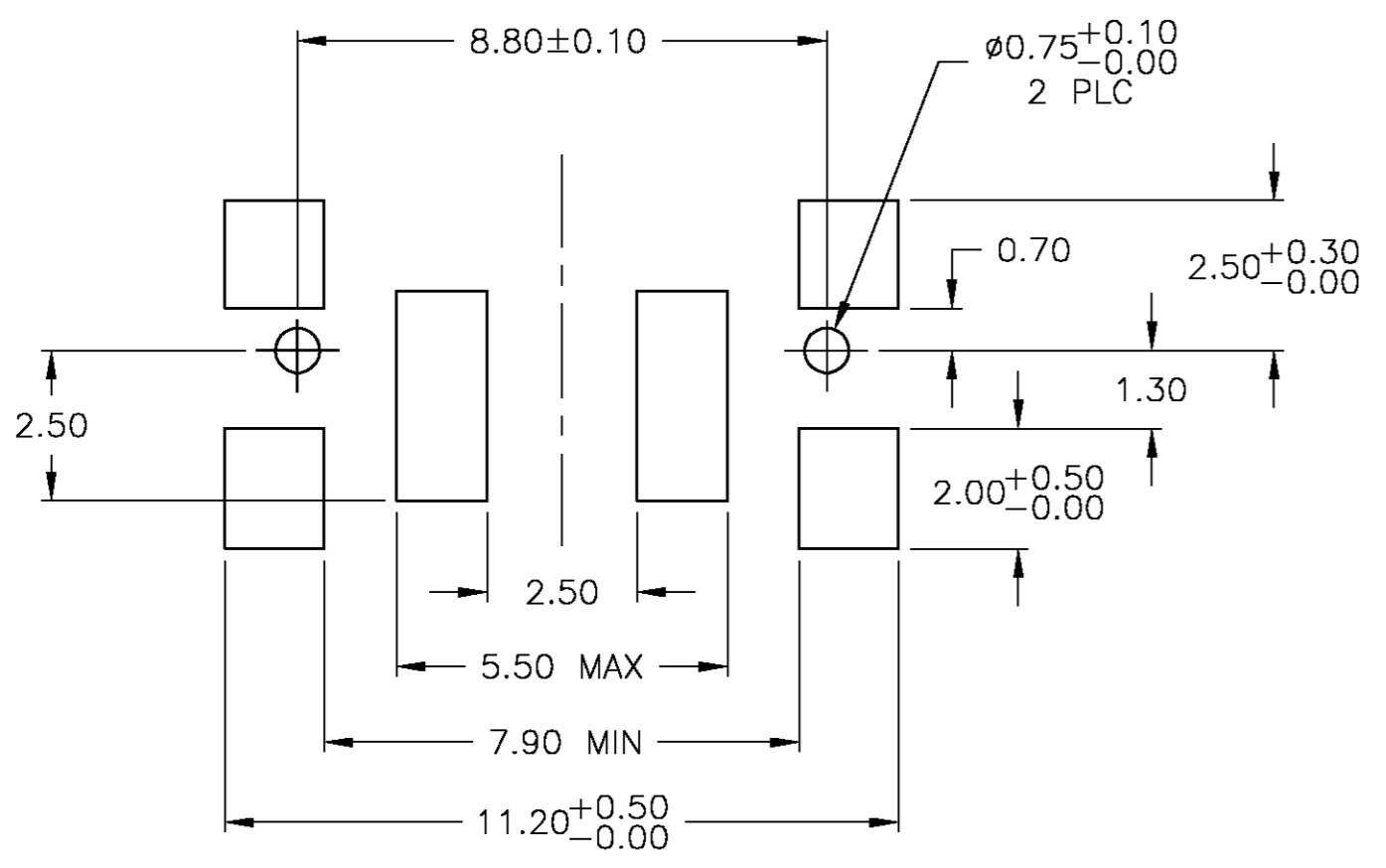
- OPERATING TEMPERATURE RANGE: -35°C to +85°C, 45% - 85% RH
- STORAGE TEMPERATURE RANGE: -20°C to +70°C
- HUMIDITY: 96 HOURS PER EIA-186-1E
- INSULATION RESISTANCE: 10 MEGOHMS MIN
- DIELECTRIC STRENGTH: 250VAC
- CONTACT RESISTANCE: 100 MILLIOHMS MAX
- DRY HEAT TEST: 85°C FOR 96 HOURS PER IEC 60068-2-2, TEST B, NO CHANGE IN INITIAL ELECTRICAL AND MECHANICAL CHARACTERISTICS
- COLD TEST: -25°C FOR 96 HOURS PER IEC 60068-2-1, TEST A; NO CHANGE IN INITIAL ELECTRICAL AND MECHANICAL CHARACTERISTICS
- THERMAL CYCLING: 5 CYCLES, -30°C to +85°C
- HUMIDITY-TEMPERATURE CYCLING, EIA 364-31B, METHOD III CONTACT RESISTANCE 100 MILLIOHMS MAX
- RESISTANCE TO SOLDERING HEAT: PER EIA 364-56, PROCEDURE 4, AND PROCEDURE 5, LEVEL 3 NO CHANGE IN INITIAL ELECTRICAL AND MECHANICAL CHARACTERISTICS

SOLDERABILITY: PER EIA RS-186-9E

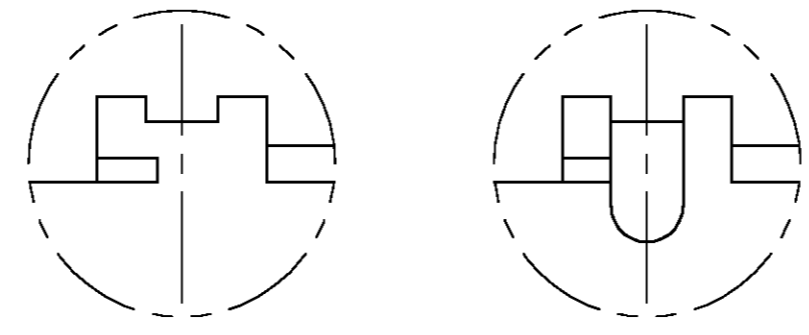
SEALED PER IP67



SEE DETAIL A



P.C.B MOUNTING SOLDER LAND DIMENSION



WITHOUT GUIDE PIN WITH GUIDE PIN

DETAIL A

WITH GUIDE PIN	BULK	130±50gf	3.1	2.7	1571300-2
WITHOUT GUIDE PIN	BULK	130±50gf	3.1	2.7	1571300-1
DETAIL A	PACKAGING	OPERATING FORCE	I	L	TYCO PART NUMBER

THIS DRAWING IS A CONTROLLED DOCUMENT.		DWN R BROWN 18DEC02	Tyco Electronics Corporation Harrisburg, PA 17105		
DIMENSIONS: MM		CHK M SARVER 18DEC02	NAME SWITCH ASSEMBLY, TACTILE, RIGHT ANGLE, SMT, SEALED		
TOLERANCES UNLESS OTHERWISE SPECIFIED:		APVD M SARVER 18DEC02	SIZE A2	CAGE CODE 00779	DRAWING NO C=1571300
0 PLC ± -	1 PLC ± -	PRODUCT SPEC	RESTRICTED TO	-	
2 PLC ± 0.30	3 PLC ± -	APPLICATION SPEC	SCALE 8:1	SHEET 1 OF 1	REV F
4 PLC ± -	ANGLES ± -	FINISH	CUSTOMER DRAWING		

1571300