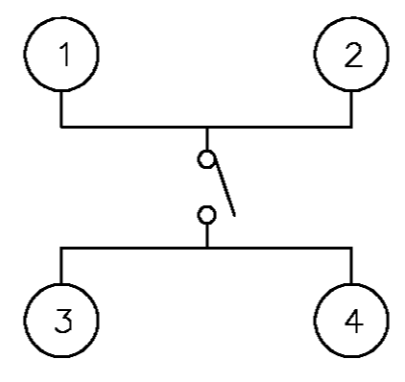
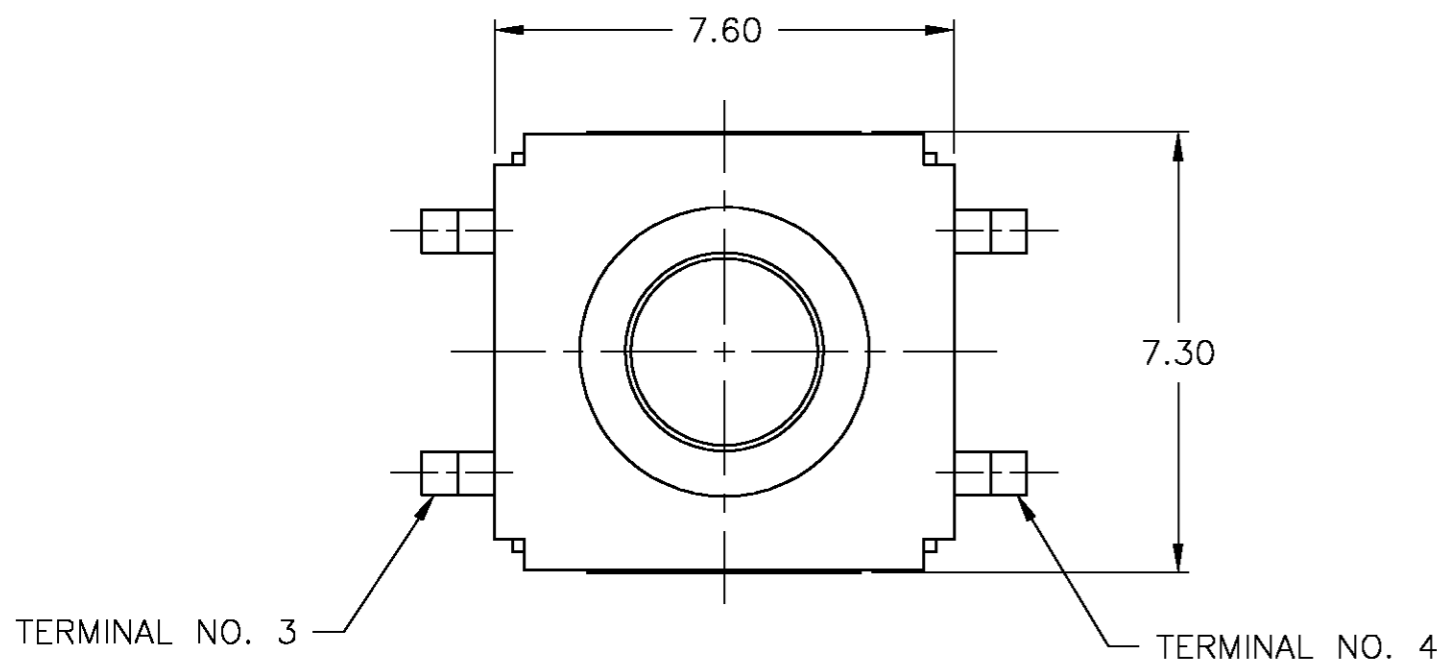


THIS DRAWING IS UNPUBLISHED. RELEASED FOR PUBLICATION  
 © COPYRIGHT BY TYCO ELECTRONICS CORPORATION. ALL RIGHTS RESERVED.

| Loc |     | DIST        |  | REVISIONS            |         |       |  |
|-----|-----|-------------|--|----------------------|---------|-------|--|
| P   | LTR | DESCRIPTION |  | DATE                 | DWN     | APVD  |  |
| AD  | 00  | D           |  | REV PER OG3C-0493-03 | 25FEB04 | RB MS |  |



CIRCUIT DIAGRAM

SPECIFICATIONS

MATERIALS

CASE: THERMOPLASTIC, UL94V-0, BLACK  
 ACTUATOR: THERMOPLASTIC, UL94V-0, BLACK  
 COVER: NICKEL SILVER  
 SEAL: SILICON RUBBER, BLACK  
 CONTACT: STAINLESS STEEL, PLATING-SILVER  
 TERMINAL: BRASS, PLATING-SILVER/NICKEL

ELECTRICAL

CONTACT RATING: 12VDC, 50mA  
 INITIAL CONTACT RESISTANCE: 100 MILLIOHMS MAX, PER EIA RS-448, METHOD 1  
 INSULATION RESISTANCE: 100 MEGOHMS MIN @ 100VDC PER EIA RS-186-13E  
 DIELECTRIC STRENGTH: 250VAC PER EIA RS-186-4E  
 CONTACT BOUNCE: 10 MILLISECOND MAX PER EIA-448-18, METHOD 15

MECHANICAL

ACTUATOR OPERATING FORCE: SEE TABLE  
 ACTUATOR TRAVEL: 0.35±0.2mm

DURABILITY

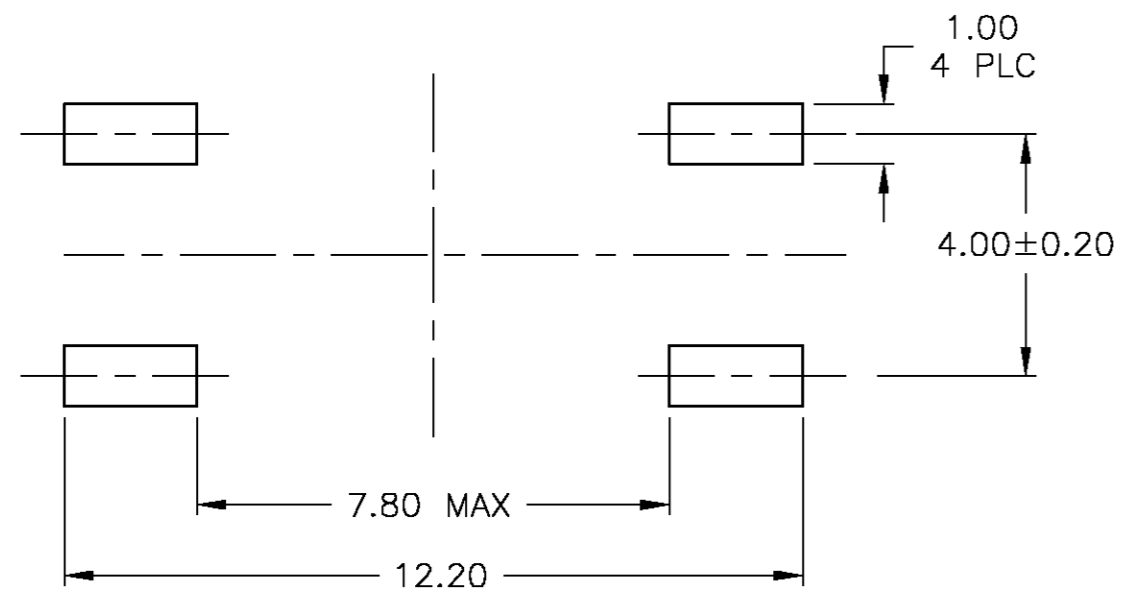
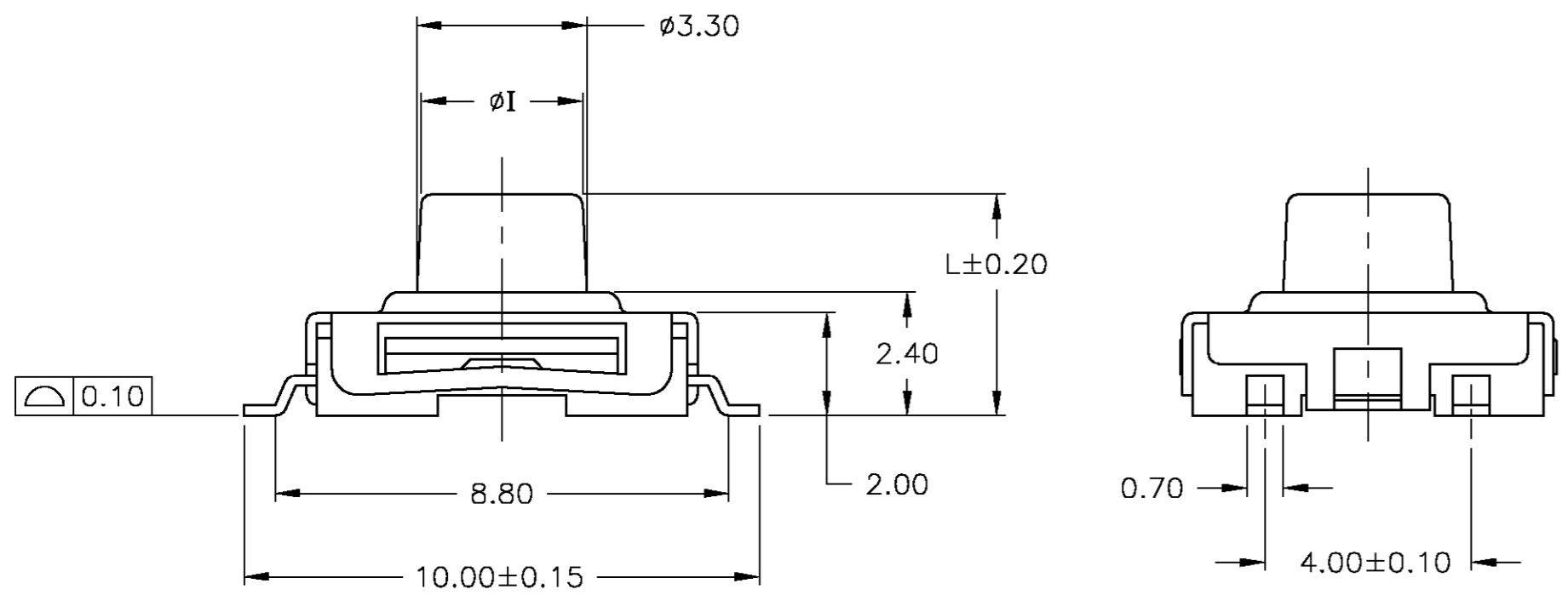
UP TO 1,000,000 CYCLES, AT RATED LOAD PER EIA-RS-448, METHOD 8  
 FINAL CONTACT RESISTANCE: 200 MILLIOHMS MAX  
 CONTACT BOUNCE: 20 MILLISECONDS MAX  
 ACTUATOR FORCE: WITHIN ±30% OF INITIAL VALUE

ENVIRONMENTAL

OPERATING TEMPERATURE RANGE: -20°C to +70°C, 45% - 85% RH  
 STORAGE TEMPERATURE RANGE: -20°C to +70°C  
 HUMIDITY: 96 HOURS PER EIA-186-1E  
 INSULATION RESISTANCE: 10 MEGOHMS MIN  
 DIELECTRIC STRENGTH: 250VAC  
 CONTACT RESISTANCE: 100 MILLIOHMS MAX  
 DRY HEAT TEST: 85°C FOR 96 HOURS PER IEC 60068-2-2, TEST B,  
 NO CHANGE IN INITIAL ELECTRICAL AND MECHANICAL CHARACTERISTICS  
 COLD TEST: -25°C FOR 96 HOURS PER IEC 60068-2-1, TEST A;  
 NO CHANGE IN INITIAL ELECTRICAL AND MECHANICAL CHARACTERISTICS  
 THERMAL CYCLING: 5 CYCLES, -30°C to +85°C  
 HUMIDITY-TEMPERATURE CYCLING, EIA 364-31B, METHOD III  
 CONTACT RESISTANCE 100 MILLIOHMS MAX  
 RESISTANCE TO SOLDERING HEAT:  
 EIA 364-56, PROCEDURE 4, AND PROCEDURE 5, LEVEL 3  
 1. NO CHANGE IN INITIAL ELECTRICAL AND MECHANICAL CHARACTERISTICS  
 2. SEALING PER IP67 - CONTACT RESISTANCE 100 MILLIOHMS MAX AND  
 MIL-STD-202F, METHOD 112 (TEST CONDITION D, EXCEPT WITH FLUID  
 TEMPERATURE OF 85°C±5°C AND IMMERSED FOR 60 SECONDS)

SOLDERABILITY: PER EIA RS-186-9E

1 PACKAGE ON TAPE AND REEL PER EIA-481



P.C.B MOUNTING SOLDER LAND DIMENSION

|   |               |                 |     |     |                  |
|---|---------------|-----------------|-----|-----|------------------|
| 1 | TAPE AND REEL | 160±50gf        | 3.1 | 5.0 | 1571294-4        |
|   | -             | 160±50gf        | 3.1 | 5.0 | 1571294-3        |
| 1 | TAPE AND REEL | 160±50gf        | 3.1 | 4.3 | 1571294-2        |
|   | -             | 160±50gf        | 3.1 | 4.3 | 1571294-1        |
|   | PACKAGING     | OPERATING FORCE | I   | L   | TYCO PART NUMBER |

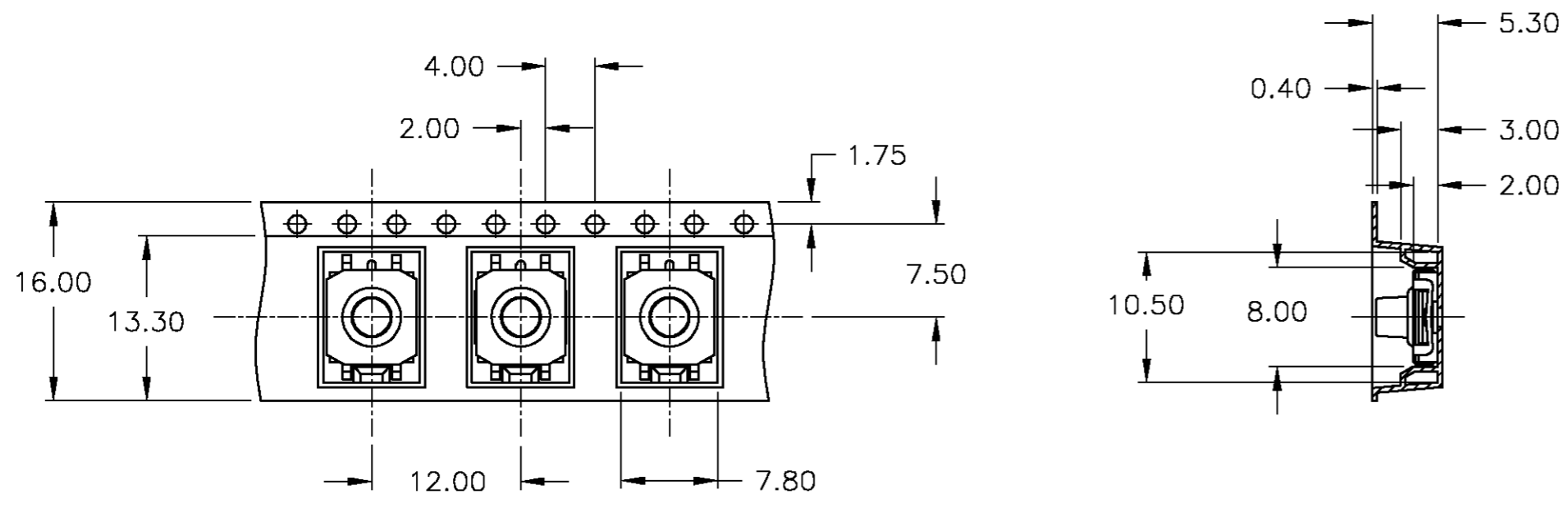
| DIMENSIONS: MM   |   | TOLERANCES UNLESS OTHERWISE SPECIFIED: |  | APVD     |         | NAME                                      |               |
|------------------|---|--|--|----------|---------|---|---------------|
| 0 PLC            | ± | -                                      |  | R BROWN  | 09DEC02 | Tyco Electronics Corporation              |               |
| 1 PLC            | ± | -                                      |  | M SARVER | 09DEC02 | Harrisburg, PA 17105                      |               |
| 2 PLC            | ± | 0.20                                   |  | M SARVER | 09DEC02 | SWITCH ASSEMBLY, TACTILE, 6mm SEALED, SMT |               |
| 3 PLC            | ± | -                                      |  |          |         | SIZE                                      | CAGE CODE     |
| 4 PLC            | ± | -                                      |  |          |         | A2  | 00779         |
| ANGLES           | ± | -                                      |  |          |         | DRAWING NO                                | RESTRICTED TO |
| FINISH           | - | -                                      |  |          |         | C=1571294                                 | -             |
| MATERIAL         |   |  |  | WEIGHT   |         | SCALE                                     |               |
| -                |   |  |  | -        |         | 8:1                                       |               |
| CUSTOMER DRAWING |   |  |  | SHEET    |         | REV                                       |               |
|                  |   |  |  | 1 OF 2   |         | D   |               |

1571294

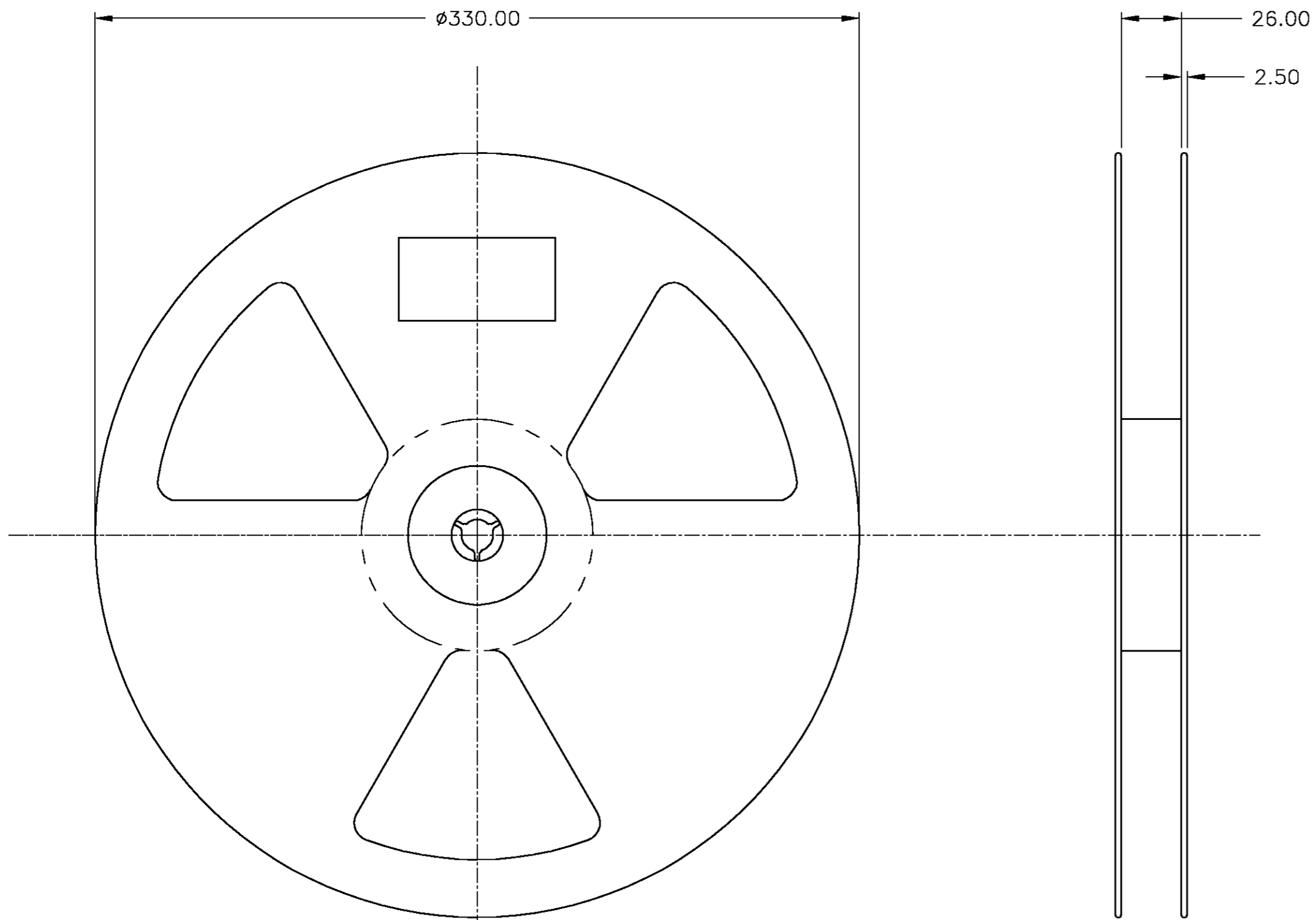
A

THIS DRAWING IS UNPUBLISHED. RELEASED FOR PUBLICATION  
 © COPYRIGHT BY TYCO ELECTRONICS CORPORATION. ALL RIGHTS RESERVED.

| LOC | DIST | REVISIONS   |      |     |      |
|-----|------|-------------|------|-----|------|
| P   | LTR  | DESCRIPTION | DATE | DWN | APVD |
| AD  | 00   | SEE SHEET 1 | -    | -   | -    |



STRIP DIMENSIONS  
SCALE 2:1



REEL DIMENSIONS  
SCALE 1:2

|  |  |                  |           |   |  |
|--|--|------------------|-----------|---|--|
| THIS DRAWING IS A CONTROLLED DOCUMENT.   |  | DWN              | R BROWN   | 09DEC0202                                     | Tyco Electronics Corporation<br>Harrisburg, PA 17105 |
| DIMENSIONS: MM   |  | CHK              | M SARVER  | 09DEC02                                       |  |
| TOLERANCES UNLESS OTHERWISE SPECIFIED:   |  | APVD             | M SARVER  | 09DEC02                                       |  |
| 0 PLC ± -<br>1 PLC ± -<br>2 PLC ± 0.20<br>3 PLC ± -<br>4 PLC ± -<br>ANGLES ± -<br>FINISH - |  | PRODUCT SPEC     | NAME      |   |  |
| MATERIAL   |  | APPLICATION SPEC |           | SWITCH ASSEMBLY, TACTILE,<br>6mm, SEALED, SMT |  |
| WEIGHT   |  | SIZE             | A2        | CAGE CODE                                     | 00779  |
| CUSTOMER DRAWING   |  | DRAWING NO       | C=1571294 |   | RESTRICTED TO  |
| SCALE  |  | 8:1              | SHEET     | 2   | OF 2   |
| REV  |  | D                |           |   |  |