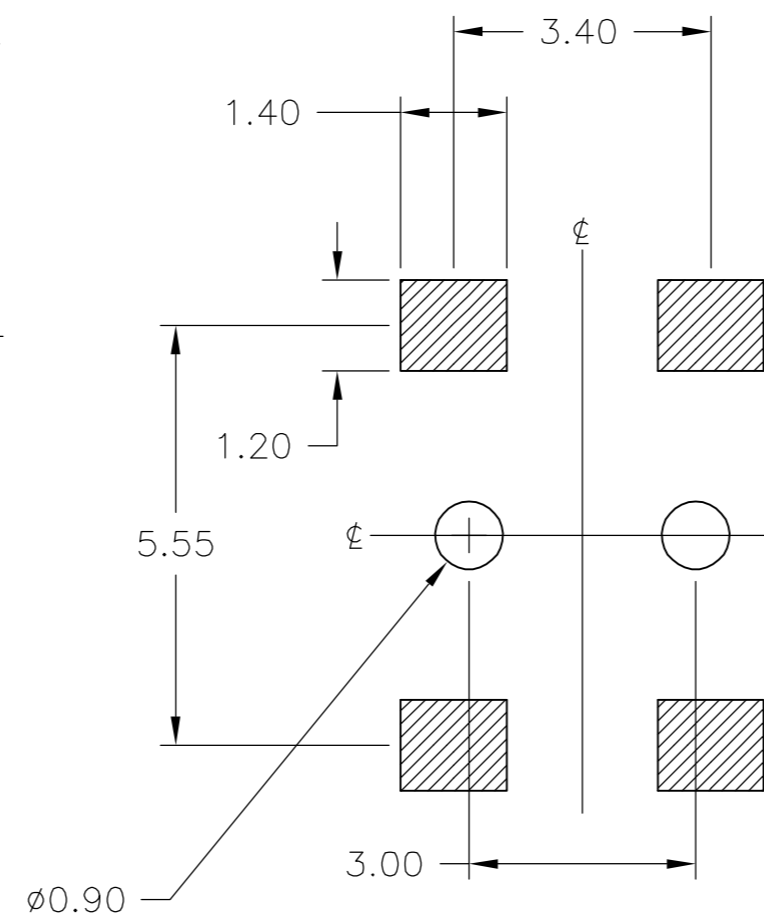
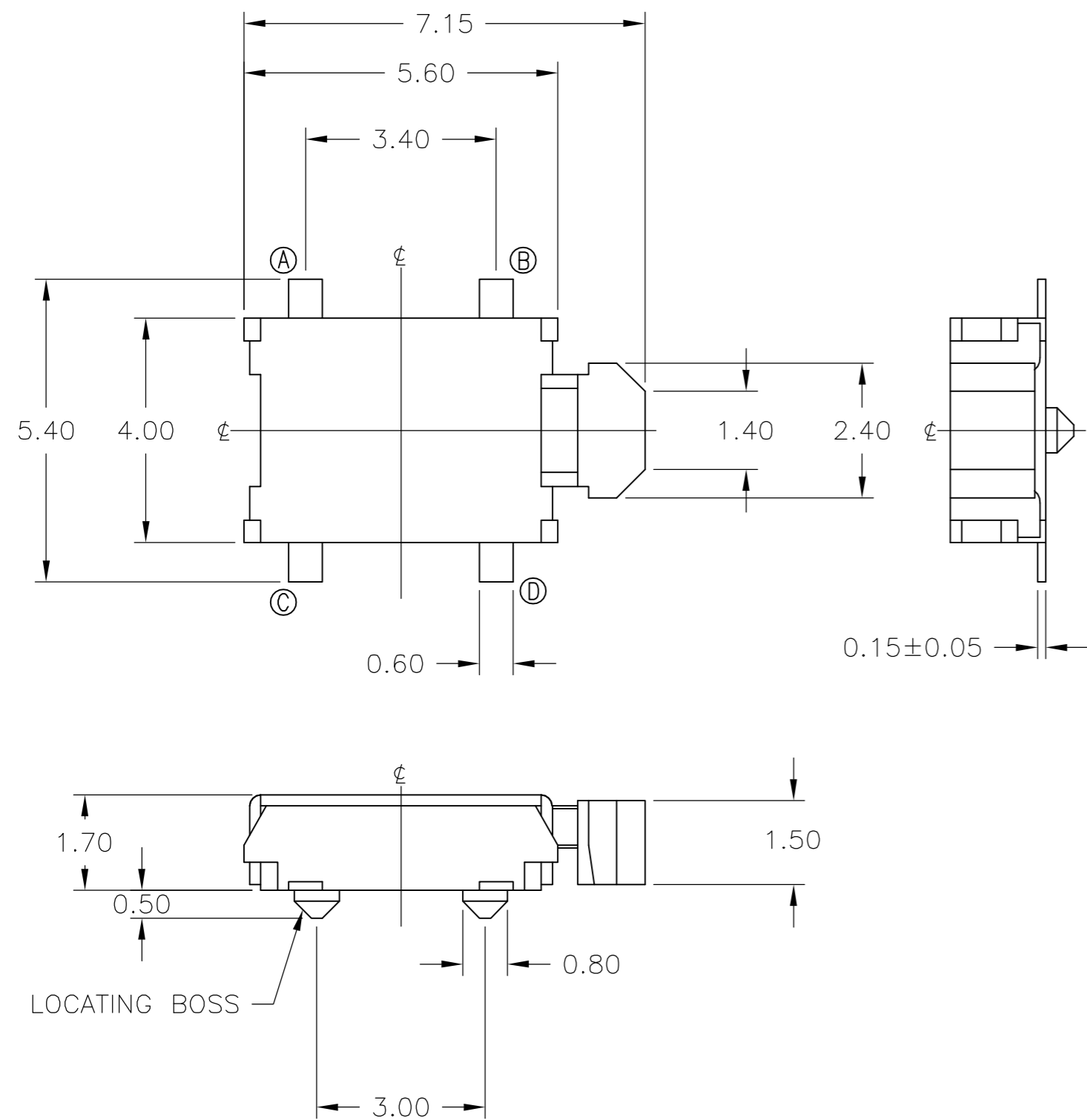
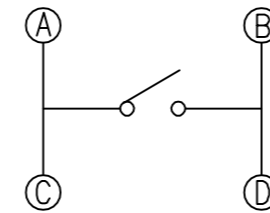


THIS DRAWING IS UNPUBLISHED. RELEASED FOR PUBLICATION  
 © COPYRIGHT BY TYCO ELECTRONICS CORPORATION. ALL RIGHTS RESERVED.

LOC	DIST	REVISIONS			
P	LTR	DESCRIPTION	DATE	DWN	APVD
AD	00	B	ECO-06-1074	16JAN06	MB MS

SCHMATIC



RECOMMENDED LAND PATTERN

SPECIFICATIONS:

MATERIALS:

COVER: STAINLESS STEEL  
 ACTUATOR: LCP, BLACK  
 CASE: LCP, SEE P/N TABLE FOR FINISH  
 STOP: LCP, BLACK  
 CONTACT PLATE: STAINLESS STEEL, SILVER PLATE  
 TERMINAL: COPPER ALLOY, SILVER OVER NICKEL PLATE

ELECTRICAL:

CONTACT RATING, 50MA@12VDC, PER EIA-448, METHOD 6  
 INITIAL CONTACT RESISTANCE, 500 MILLIOHMS MAX, PER EIA-364-23B, EACH POSITION  
 INSULATION RESISTANCE, 100 MEGOHM MIN. PER EIA-364-21C EACH POSITION  
 DIELECTRIC STRENGTH, 250 V AC FOR 1 MINUTE PER EIA-364-20B, CONDITION 1, EACH POSITION.  
 BOUNCE, 10MILLISECOND MAX

MECHANICAL:

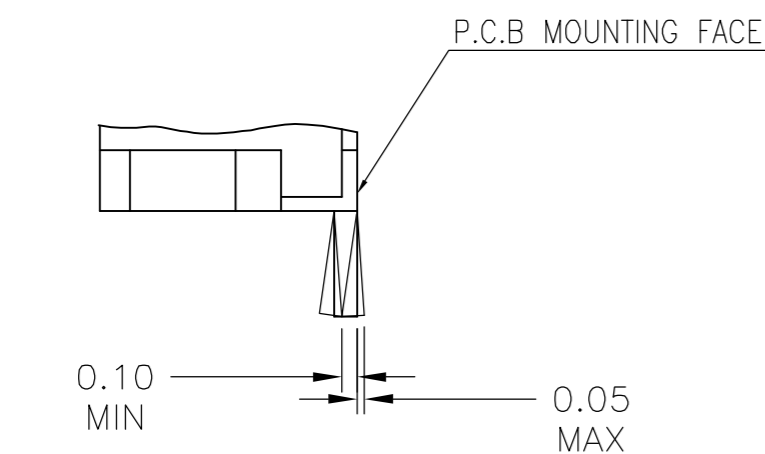
ACTUATION FORCE, 220 +/-50 GF  
 ACTUATION TRAVEL, .25 +/-0.15  
 LIFE EXPECTANCY, 50,000 CYCLES (120-180 CYCLES PER MINUTE), PER EIA-448 METHODS 8 AND 9  
 VIBRATION, PER EIA 364-28D, CONDITION VII, LEVEL E  
 MECHANICAL SHOCK, PER EIA-364-27C, CONDITION A

ENVIRONMENTAL:

OPERATING TEMPERATURE, -20 TO +70 DEGREES C, PER EIA-448, METHOD 10  
 STORAGE TEMPERATURE, -30 TO +80 DEGREES C  
 HUMIDITY AND TEMPERATURE CYCLING PER EIA-364-31B, METHOD III  
 THERMAL SHOCK, PER EIA-364-32C, -30 TO +80 DEGREES C  
 SOLDERABILITY, PER EIA-364-52, CLASS 2, CATEGORY 1, TEMP, 245 DEGREES C MAX, TIME, 2.5 SECONDS MAX, 95% MINIMUM COVERAGE  
 RESISTANCE TO SOLDER HEAT PER 109-201, CONDITION B

NOTES:

- ALL MATERIALS AND FINISHES SHALL COMPLY WITH EU DIRECTIVE 2002/95/EC OF 27JAN2003 (ROHS)
- PACKAGING: TAPE AND REEL PACKAGING PER EIA 481



TERMINAL DETAIL (20/1)

Qty/Reel	Pitch	Tape Width	Case Color	Features	PKG.	Tyco P/N
3300	8MM	16MM	Black	W BOSS	T&R	1571262-4
N/A	N/A	N/A	Black	W BOSS	BULK	1571262-3
3300	8MM	16MM	White	W/O BOSS	T&R	1571262-2
N/A	N/A	N/A	White	W/O BOSS	BULK	1571262-1

THIS DRAWING IS A CONTROLLED DOCUMENT.		DWN M.BINNER 11APR02	Tyco Electronics Corporation Harrisburg, PA 17105-3608	
DIMENSIONS: mm		CHK M.SARVER 16JAN06	NAME TACTILE SWITCH, SIDE ACTUATED, SMT	
TOLERANCES UNLESS OTHERWISE SPECIFIED:		APVD M.SARVER 16JAN06	SIZE A2	
0 PLC ± -		PRODUCT SPEC	CAGE CODE 00779	
1 PLC ± -		APPLICATION SPEC	DRAWING NO C=1571262	
2 PLC ± 0.30			RESTRICTED TO	
3 PLC ± -			SCALE 10:1	
4 PLC ± -			SHEET 1 of 1	
ANGLES ± -			REV B	
FINISH		WEIGHT -		
MATERIAL -		CUSTOMER DRAWING		