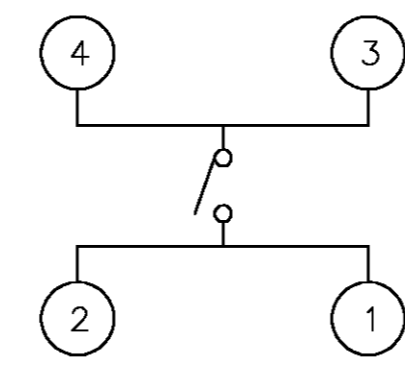
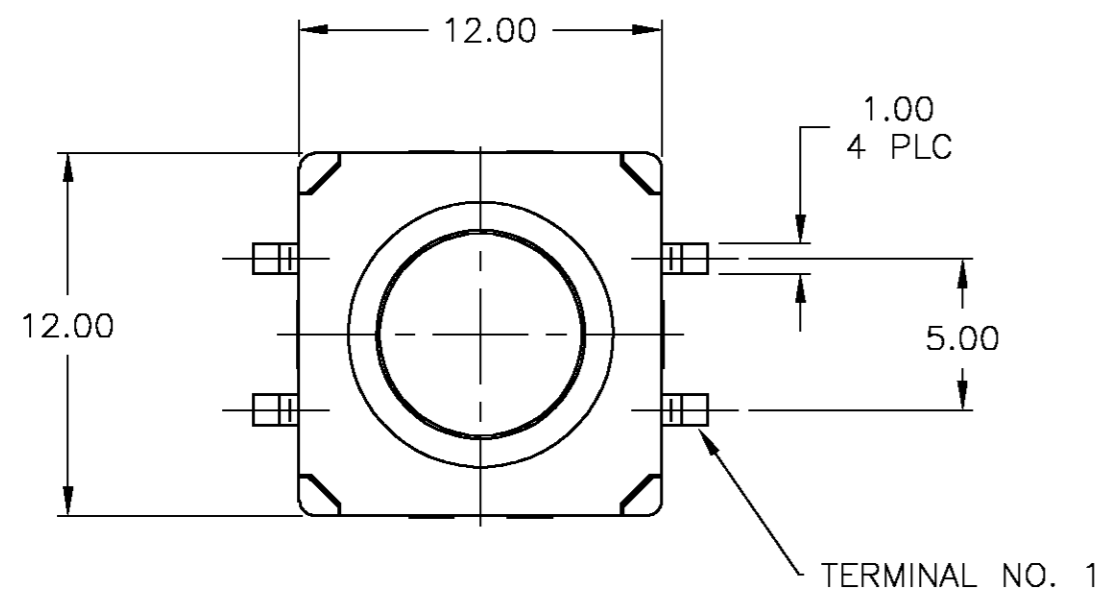


THIS DRAWING IS UNPUBLISHED. RELEASED FOR PUBLICATION
 © COPYRIGHT BY TYCO ELECTRONICS CORPORATION. ALL RIGHTS RESERVED.

Loc		DIST		REVISIONS			
P	LTR	DESCRIPTION		DATE	DWN	APVD	
AD	00	G		REV PER 0G3C-0558-04	13DEC04	RB	MS



CIRCUIT DIAGRAM

SPECIFICATIONS

MATERIALS

CASE: THERMOPLASTIC, UL94V-0, BLACK
 ACTUATOR: THERMOPLASTIC, UL94V-0, BLACK
 COVER: STAINLESS STEEL
 SEAL: SILICON RUBBER, BLACK
 CONTACT: STAINLESS STEEL, PLATED-SILVER
 TERMINAL: BRASS, PLATED-SILVER/NICKEL

ELECTRICAL

CONTACT RATING: 12VDC, 50mA
 INITIAL CONTACT RESISTANCE: 100 MILLIOHMS MAX, PER EIA RS-448, METHOD 1
 INSULATION RESISTANCE: 100 MEGOHMS MIN @ 100VDC PER EIA RS-186-13E
 DIELECTRIC STRENGTH: 500VAC PER EIA RS-186-4E
 CONTACT BOUNCE: 10 MILLISECOND MAX PER EIA-448-18, METHOD 15

MECHANICAL

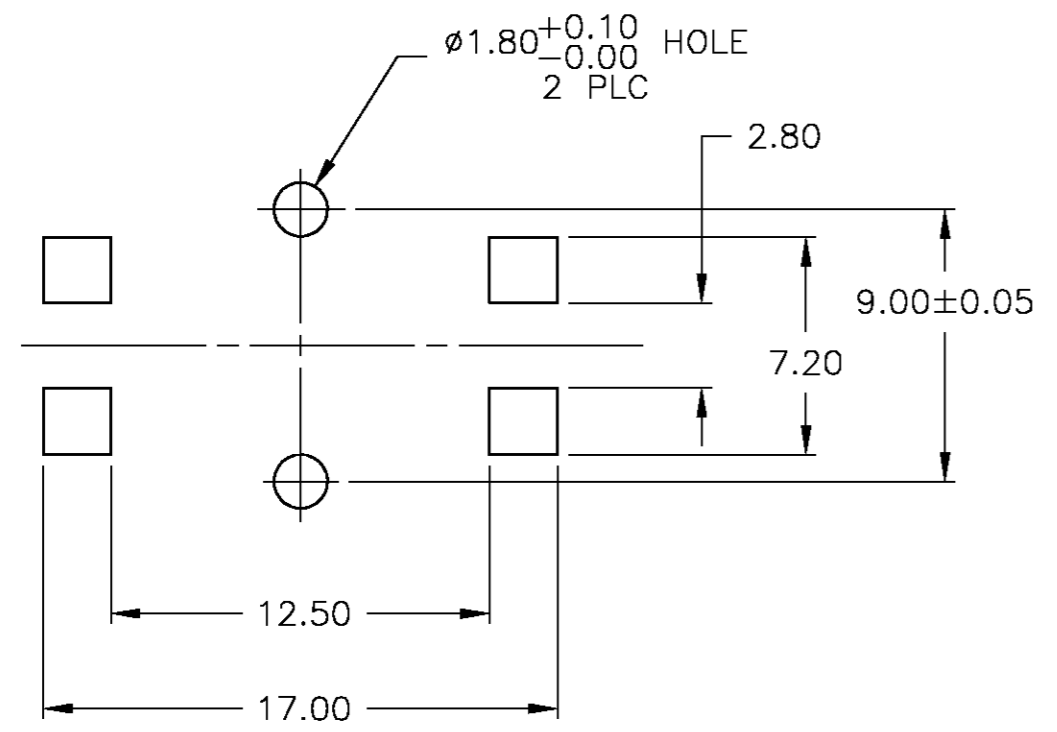
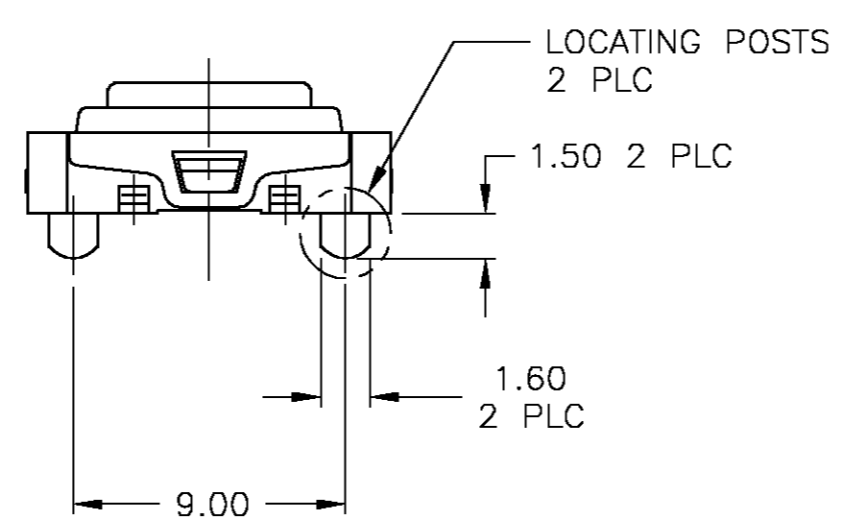
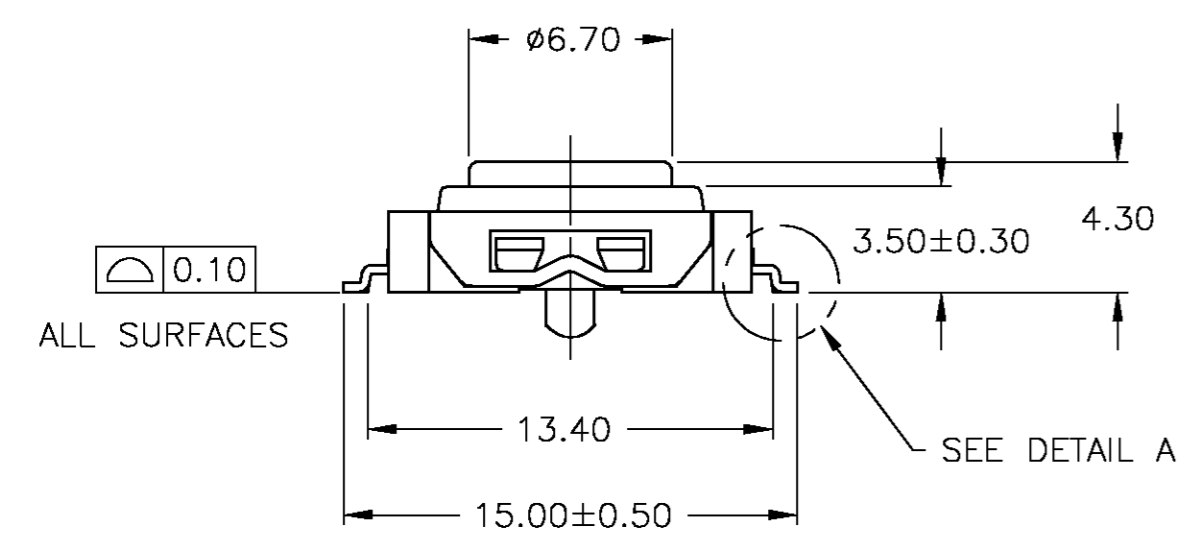
ACTUATOR OPERATING FORCE: SEE TABLE
 ACTUATOR TRAVEL: 0.35±0.2mm

DURABILITY

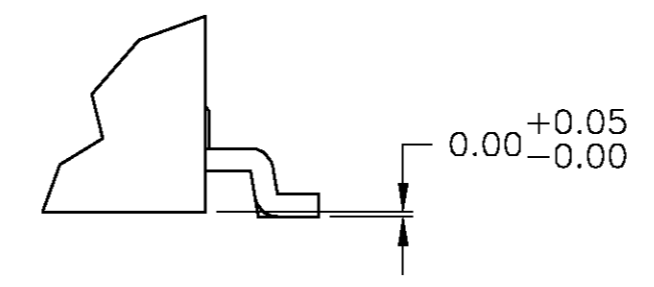
UP TO 1,000,000 CYCLES, AT RATED LOAD PER EIA-RS-448, METHOD 8
 FINAL CONTACT RESISTANCE: 200 MILLIOHMS MAX
 CONTACT BOUNCE: 20 MILLISECONDS MAX
 ACTUATOR FORCE: WITHIN ±30% OF INITIAL VALUE

ENVIRONMENTAL

OPERATING TEMPERATURE RANGE: -35°C to +85°C, 45% - 85% RH
 STORAGE TEMPERATURE RANGE: -35°C to +85°C
 HUMIDITY: 96 HOURS PER EIA-186-1E
 INSULATION RESISTANCE: 10 MEGOHMS MIN
 DIELECTRIC STRENGTH: 250VAC
 CONTACT RESISTANCE: 100 MILLIOHMS MAX
 DRY HEAT TEST: 85°C FOR 96 HOURS PER IEC 60068-2-2, TEST B,
 NO CHANGE IN INITIAL ELECTRICAL AND MECHANICAL CHARACTERISTICS
 COLD TEST: -25°C FOR 96 HOURS PER IEC 60068-2-1, TEST A;
 NO CHANGE IN INITIAL ELECTRICAL AND MECHANICAL CHARACTERISTICS
 THERMAL CYCLING: 5 CYCLES, -30°C to +85°C
 HUMIDITY-TEMPERATURE CYCLING, EIA 364-31B, METHOD III
 CONTACT RESISTANCE 100 MILLIOHMS MAX
 RESISTANCE TO SOLDERING HEAT:
 EIA 364-56, PROCEDURE 4, AND PROCEDURE 5, LEVEL 3
 NO CHANGE IN INITIAL ELECTRICAL AND MECHANICAL CHARACTERISTICS
 CONTACT RESISTANCE 100 MILLIOHMS MAX
 SOLDERABILITY: PER EIA 364-52, CLASS 1 CAT 2
 SEALING PER IP67



SOLDER PAD DIMENSION



DETAIL A
SCALE 10:1

1 PACKAGE ON TAPE AND REEL PER EIA-481

1	PACKAGE	WEIGHT	REMARKS	TYCO PART NUMBER
1	TAPE AND REEL	260±50gf	WITHOUT LOCATING POSTS	1571218-6
	BULK	260±50gf	WITH LOCATING POSTS	1571218-5
1	TAPE AND REEL	160±70gf	WITH LOCATING POSTS	1571218-4
1	TAPE AND REEL	160±70gf	WITHOUT LOCATING POSTS	1571218-3
	BULK	160±70gf	WITH LOCATING POSTS	1571218-2
	BULK	160±70gf	WITHOUT LOCATING POSTS	1571218-1
	PACKAGING	OPERATING FORCE	REMARKS	TYCO PART NUMBER

THIS DRAWING IS A CONTROLLED DOCUMENT.		DWN R BROWN 16JAN2002	Tyco Electronics Corporation Harrisburg, PA 17105	
DIMENSIONS: MM		CHK H WYNKOOP 16JAN02	NAME SWITCH ASSEMBLY, TACTILE, 12 X 12, SMT, SEALED	
TOLERANCES UNLESS OTHERWISE SPECIFIED:		APVD H WYNKOOP 16JAN02	SIZE A2	CAGE CODE 00779
0 PLC ± -		PRODUCT SPEC	DRAWING NO C=1571218	RESTRICTED TO
1 PLC ± -		APPLICATION SPEC	SCALE 4:1	SHEET 1 OF 1
2 PLC ± 0.20			REV G	
3 PLC ± -				
4 PLC ± -				
ANGLES ± -				
FINISH		WEIGHT -		
MATERIAL		CUSTOMER DRAWING		

1571218

A