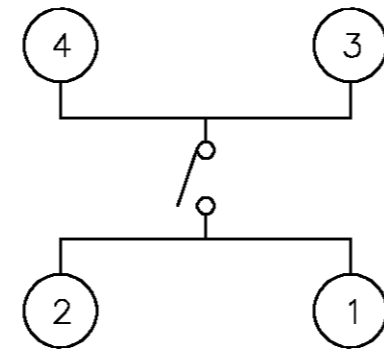
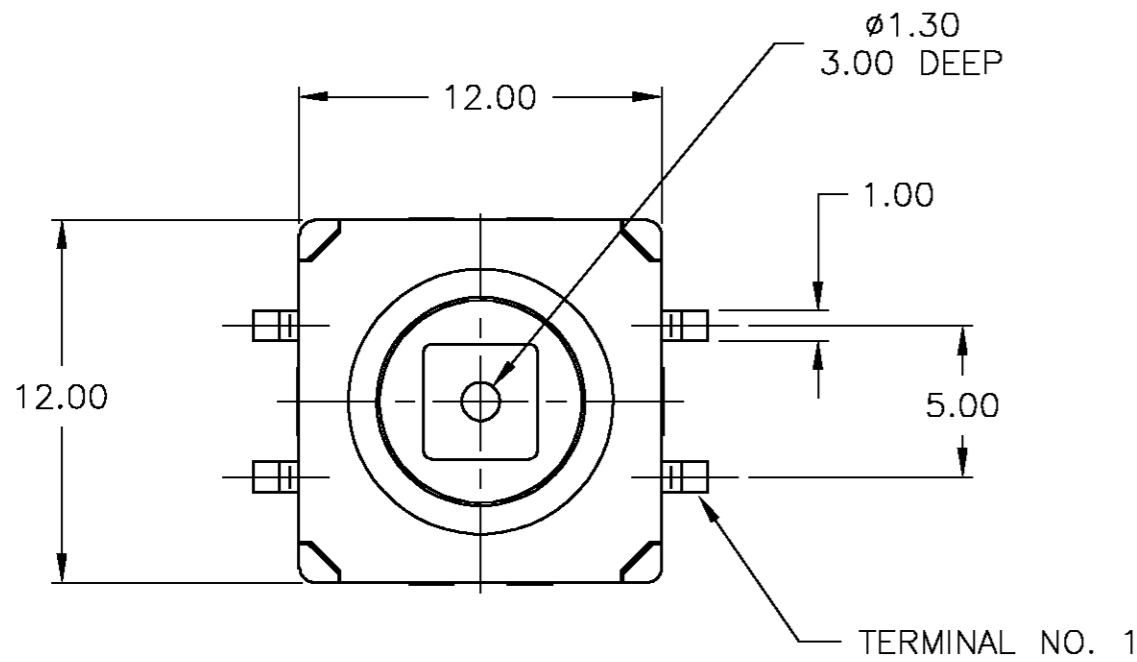


THIS DRAWING IS UNPUBLISHED. RELEASED FOR PUBLICATION  
 © COPYRIGHT BY TYCO ELECTRONICS CORPORATION. ALL RIGHTS RESERVED.

LOC		DIST		REVISIONS			
P	LTR	DESCRIPTION		DATE	DWN	APVD	
G		REV PER 0G3C-0411-04		16NOV04	JR	MS	



CIRCUIT DIAGRAM

SPECIFICATIONS

MATERIALS

CASE: THERMOPLASTIC, UL94V-0, BLACK  
 ACTUATOR: THERMOPLASTIC, UL94V-0, BLACK  
 COVER: STAINLESS STEEL  
 SEAL: SILICON RUBBER, BLACK  
 CONTACT: STAINLESS STEEL, PLATING-SILVER  
 TERMINAL: BRASS, PLATING-SILVER/NICKEL

ELECTRICAL

CONTACT RATING: 12VDC, 50mA  
 INITIAL CONTACT RESISTANCE: 100 MILLIOHMS MAX, PER EIA RS-448, METHOD 1  
 INSULATION RESISTANCE: 100 MEGOHMS MIN @ 100VDC PER EIA RS-186-13E  
 DIELECTRIC STRENGTH: 500 VAC 50/60 Hz FOR 1 MINUTE PER EIA RS-186-4E  
 CONTACT BOUNCE: 10 MILLISECOND MAX PER EIA-448-18, METHOD 15

MECHANICAL

ACTUATOR OPERATING FORCE: SEE TABLE  
 ACTUATOR TRAVEL: 0.35±0.2mm

DURABILITY

UP TO 1,000,000 CYCLES, AT RATED LOAD PER EIA-RS-448, METHOD 8  
 FINAL CONTACT RESISTANCE: 200 MILLIOHMS MAX  
 CONTACT BOUNCE: 20 MILLISECONDS MAX  
 ACTUATOR FORCE: WITHIN ±30% OF INITIAL VALUE

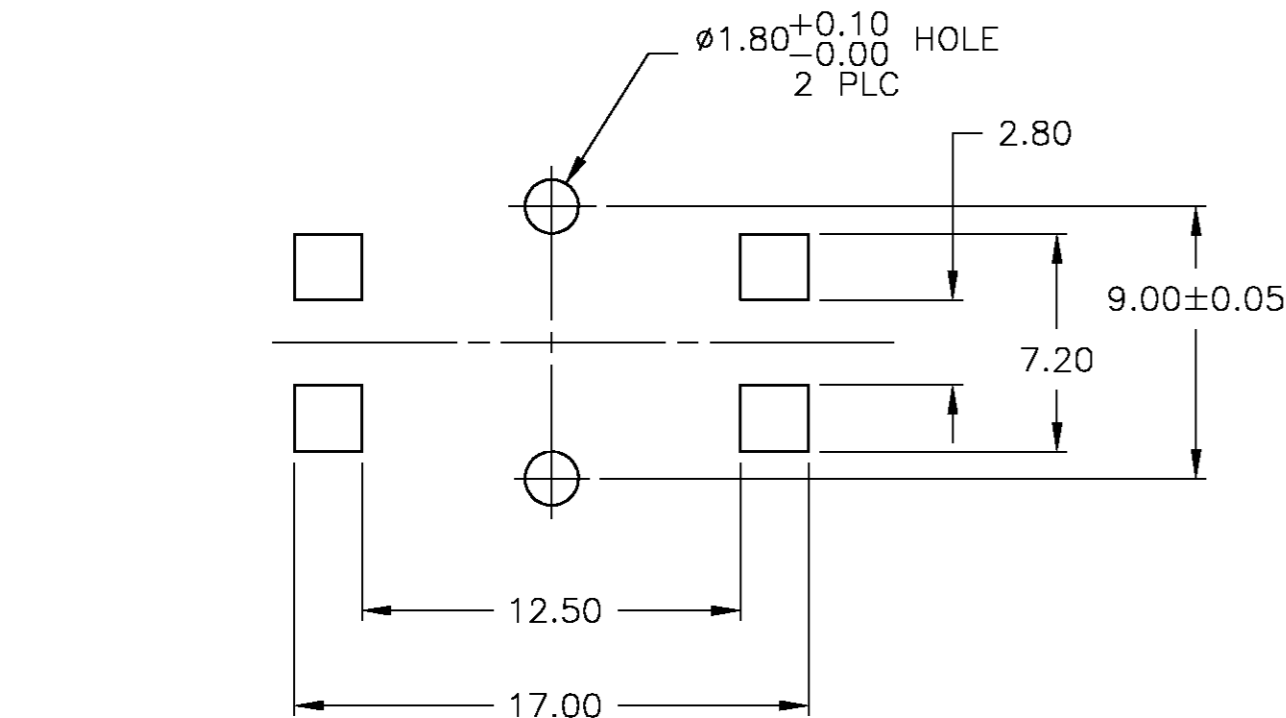
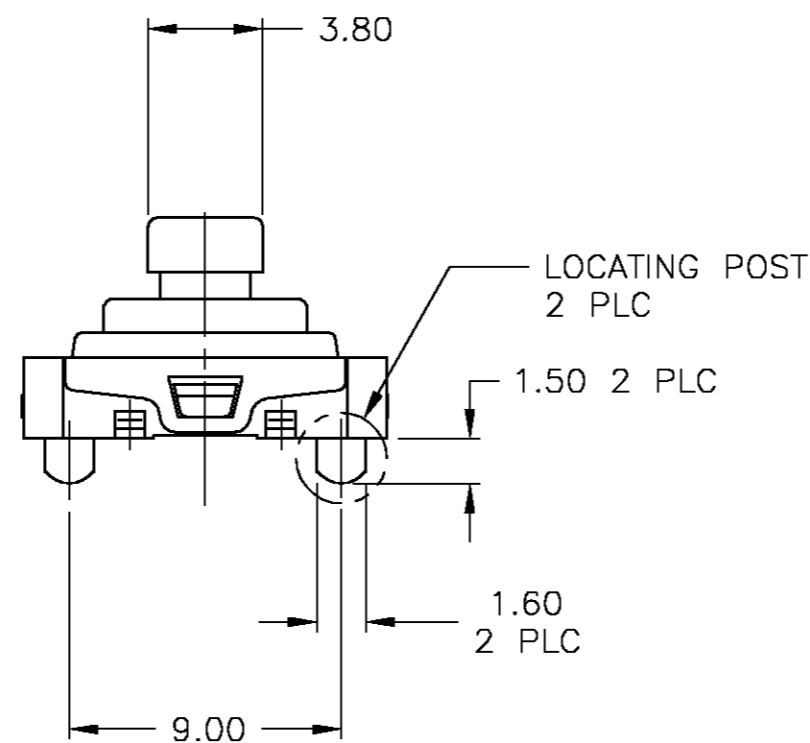
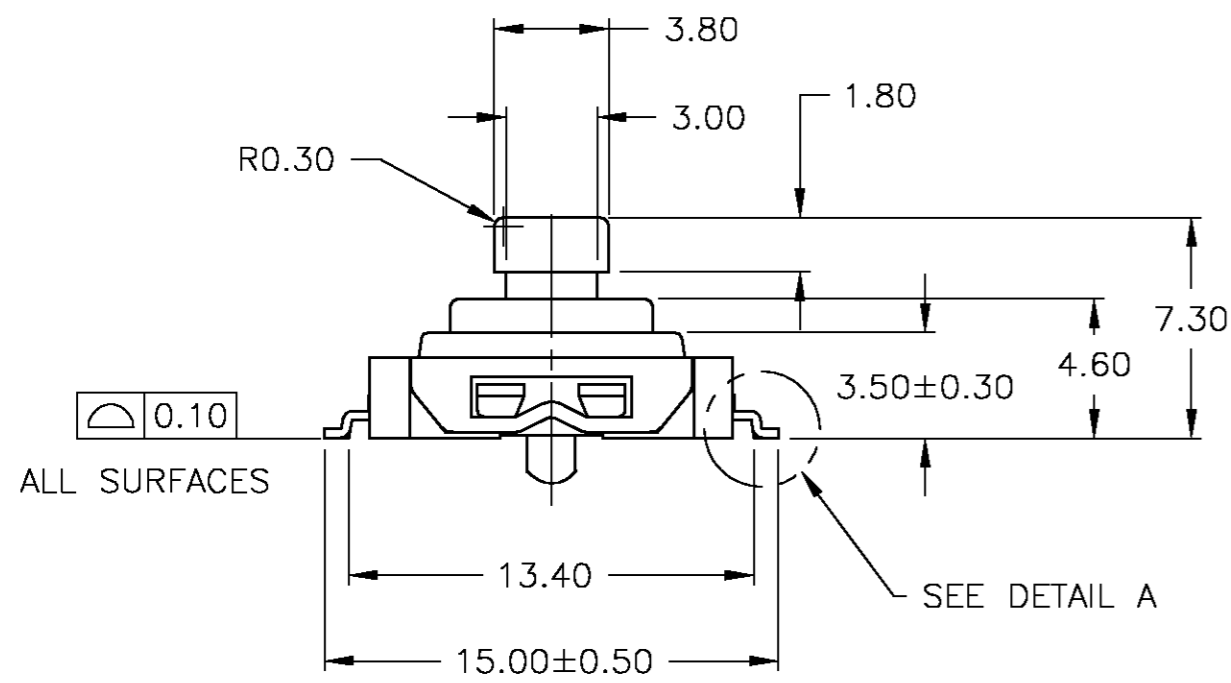
ENVIRONMENTAL

OPERATING TEMPERATURE RANGE: -35°C to +85°C, 45% - 85% RH  
 STORAGE TEMPERATURE RANGE: -20°C to +70°C  
 HUMIDITY: 96 HOURS PER EIA-186-1E  
 INSULATION RESISTANCE: 10 MEGOHMS MIN  
 DIELECTRIC STRENGTH: 250VAC  
 CONTACT RESISTANCE: 100 MILLIOHMS MAX  
 DRY HEAT TEST: 85°C FOR 96 HOURS PER IEC 60068-2-2, TEST B,  
 NO CHANGE IN INITIAL ELECTRICAL AND MECHANICAL CHARACTERISTICS  
 COLD TEST: -25°C FOR 96 HOURS PER IEC 60068-2-1, TEST A;  
 NO CHANGE IN INITIAL ELECTRICAL AND MECHANICAL CHARACTERISTICS  
 THERMAL CYCLING: 5 CYCLES, -30°C to +85°C  
 HUMIDITY-TEMPERATURE CYCLING, EIA 364-31B, METHOD III  
 CONTACT RESISTANCE 100 MILLIOHMS MAX  
 RESISTANCE TO SOLDERING HEAT:  
 PER EIA 364-56, PROCEDURE 4, AND PROCEDURE 5, LEVEL 3  
 NO CHANGE IN INITIAL ELECTRICAL AND MECHANICAL CHARACTERISTICS

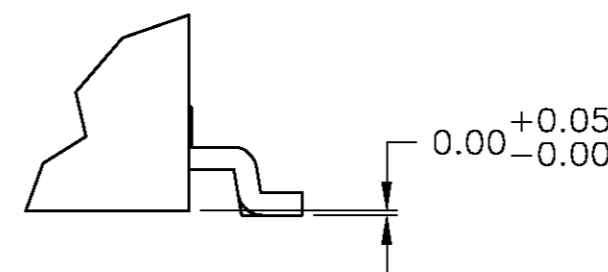
SOLDERABILITY: PER EIA RS-186-9E

SEALED PER IP67

1 PACKAGE ON TAPE AND REEL PER EIA-481



SOLDER PAD DIMENSION



DETAIL A  
SCALE 10:1

1	TAPE AND REEL	160±70gf	WITH LOCATING POSTS	1571217-4
1	TAPE AND REEL	160±70gf	WITHOUT LOCATING POSTS	1571217-3
	BULK	160±70gf	WITH LOCATING POSTS	1571217-2
	BULK	160±70gf	WITHOUT LOCATING POSTS	1571217-1
PACKAGING	OPERATING FORCE	REMARKS	TYCO PART NUMBER	

THIS DRAWING IS A CONTROLLED DOCUMENT.		DWN R BROWN 16JAN2002	Tyco Electronics Corporation Harrisburg, PA 17105	
DIMENSIONS: MM	TOLERANCES UNLESS OTHERWISE SPECIFIED:	CHK H WYNKOOP 16JAN02	NAME SWITCH ASSEMBLY, TACTILE, 12 X 12, SMT, SEALED	
	0 PLC ± - 1 PLC ± - 2 PLC ± 0.30 3 PLC ± - 4 PLC ± - ANGLES ± -	APVD H WYNKOOP 16JAN02	SIZE A2	CAGE CODE 00779
MATERIAL	FINISH	APPLICATION SPEC	DRAWING NO C=1571217	RESTRICTED TO
		WEIGHT	SCALE 4:1	SHEET 1 OF 1
		CUSTOMER DRAWING	REV G	