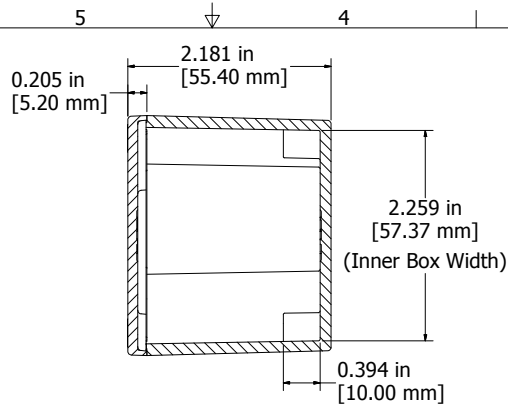
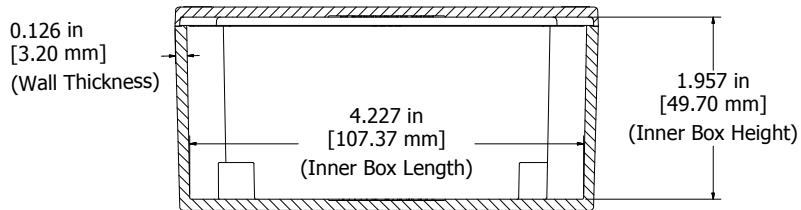


ASSEMBLY



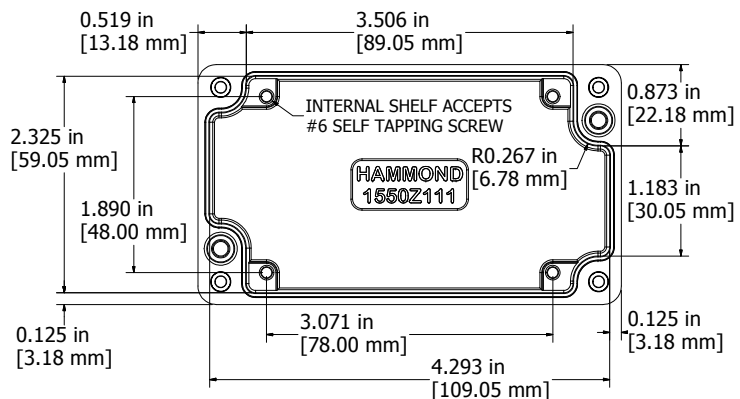
SECTION K-K  
End View of Assembly



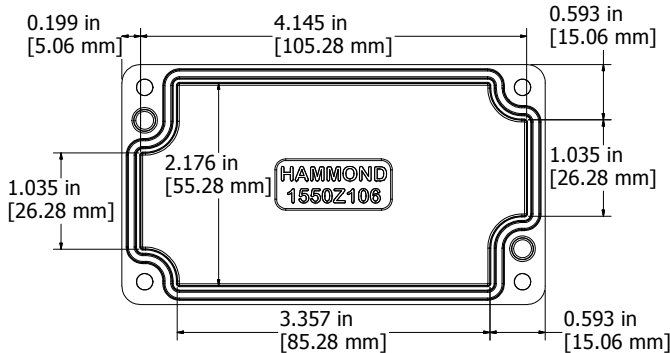
SECTION J-J  
Side View of Assembly



**UL** US LISTED  
File #E71073  
NEMA 4, 4X



Top View Looking Inside Box



View Looking Inside Lid

Enclosures can be Factory Modified ( Milling, Drilling, Printing etc. )  
Contact Factory [mjm@hammondmfg.com](mailto:mjm@hammondmfg.com) for quotes  
Solid models of this enclosure available in STEP or IGES.

NOTES	
Purchased assembly includes enclosure, M4x20 lid screws and Pre-formed Silicone Gasket	
Cover screws should be torqued to 5-7.5 lbf.in (50-75 cN.m)	

1550Z111	
PART NUMBERS	
Natural Finish Enclosure	1550Z111
Black Textured Enclosure	1550Z111BK

**HAMMOND MANUFACTURING**™  
1550Z111  
[www.hammondmfg.com](http://www.hammondmfg.com)