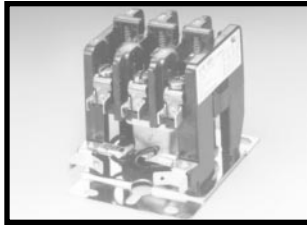


A.C. Power Contactors  
Type 154



Sec.	STANCOR PART NUMBER	Amps.	Pole Form	Coil Voltage	Power Rating		DIMENSIONS-INCHES			Weight (oz.)	Agency* Certification
					Inductive	Resistive	L	Case W	H		
A	154-902	20‡	3PNO	120	Continuous 20 Amps. @ 600 V.	30 Amps. @ 600 V. A.C. Max.	3.80	2.70	3.10	19.5	UL/CSA
	154-903	20‡	3PNO	208/240	Inrush 120 Amps. @ 277 V. 100 Amps. @ 480 V. 80 Amps. @ 600 V		3.80	2.70	3.10	19.5	UL/CSA
B	154-904	25‡	3PNO	24	Continuous 25 Amps. @ 600 V.	35 Amps. @ 600 V. A.C. Max.	3.80	2.70	3.10	19.5	UL/CSA
	154-905	25‡	3PNO	120	Inrush 150 Amps. @ 277 V. 125 Amps. @ 480 V. 100 Amps. @ 600 V		3.80	2.70	3.10	19.5	UL/CSA
C	154-907	30Δ	3PNO	24	Continuous 30 Amps. @ 600 V.	40 Amps. @ 600 V. A.C. Max.	3.80	2.70	3.10	19.5	UL/CSA
	154-908	30Δ	3PNO	120	Inrush 180 Amps. @ 277 V. 150 Amps. @ 480 V. 120 Amps. @ 600 V		3.80	2.70	3.10	19.5	UL/CSA
D	154-910	40*	3PNO	24	Continuous	50 Amps. @ 600 V. A.C. Max.	3.80	2.70	3.20	19.5	UL/CSA
	154-911	40*	3PNO	120	40 Amps. @ 600 V.		3.80	2.70	3.20	19.5	UL/CSA
	154-912	40*	3PNO	208/240	Inrush		3.80	2.70	3.20	19.5	UL/CSA
E	154-913	40*	2PNO	24	240 Amps. @ 277 V.		3.80	2.70	3.20	19.5	UL/CSA
	154-914	40*	2PNO	120	200 Amps. @ 480 V.		3.80	2.70	3.20	19.5	UL/CSA
	154-915	40*	2PNO	208/240	160 Amps. @ 600 V		3.80	2.70	3.20	19.5	UL/CSA

— Double Break Contacts  
— Non-Positional

For outline drawings refer to page 84.

‡ Screw Connectors line and load sides for #14 thru #8 wire. 1/4" Double Quick Connect Auxiliary and coil terminals.

Δ Pressure Connectors on line side for #14 thru #4 wire. Screw Connectors on load side for #14 thru #8 wire. 1/4" Double Quick Connect auxiliary and coil terminals.

\* Pressure Connectors on line side and load side for #14 thru #4 wire. 1/4" Double Quick Connect auxiliary and coil terminals.

\* Agency Certification Note: UL Recognized (File E12139)  
CSA Certified (File LR13360)

Engineering Design Data

A.C. Type	Magnet Coil Rating (Volt Amperes)		Operation in % of Nom. Coil Rating		Breakdown Voltages All Terminals - 60 Hz RMS			Contact Material		Electrical Life		Mechanical Life		Max. Oper. Amb. °F
	Inrush	Sealed Nom. Max.	Pick-up	Max. Safe Operate	Opposite Polarity	Open Contacts Same Polarity	To Ground	Power	Pilot	Oper. At Rated Load	Oper. Per Min.	Oper. At No Load	Oper. Per Min.	
154	80	6.5 7.5	85%	110%	1500	1000	1500	Silver Alloy	-	100,000†	6	500,000	30	155

† Load tests – making inrush ratings (0.4 to 0.5 P.F.) – breaking 125% continuous rating (0.65 to 0.8 P.F.)



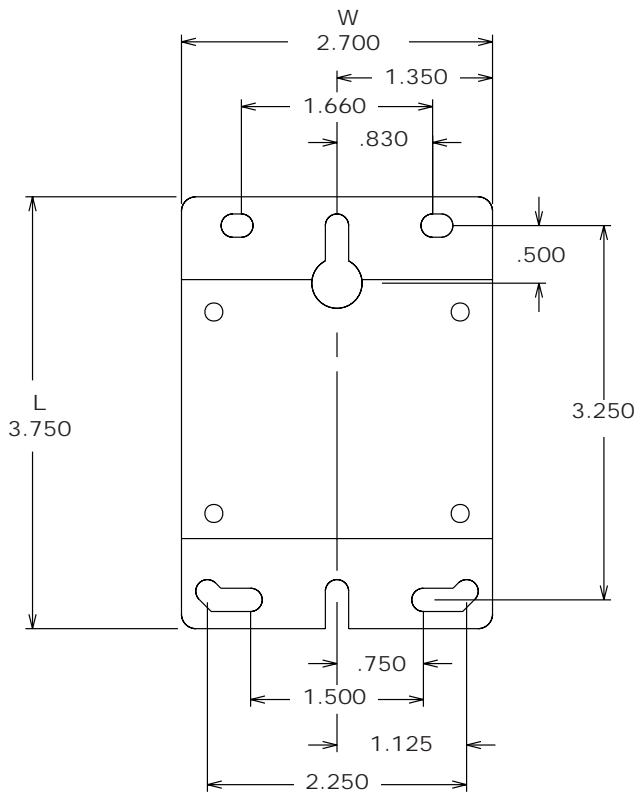
White-Rodgers • Emerson Electric Co.  
9797 Reavis Road • St. Louis, MO 63123  
(314) 865-8799 • Fax (314) 638-2400



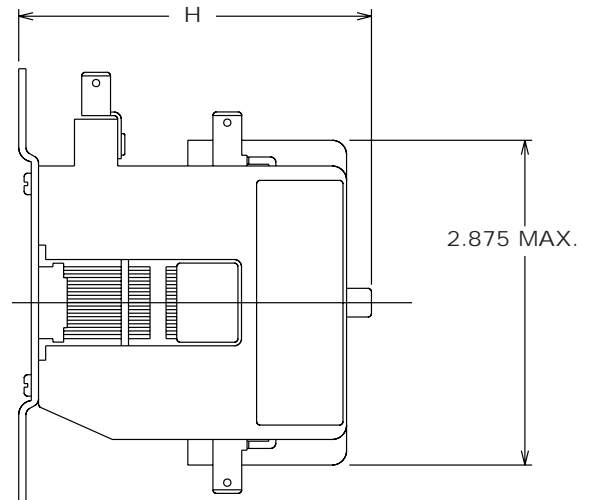
**STANCOR**

A.C. Power Contactors-Type 154

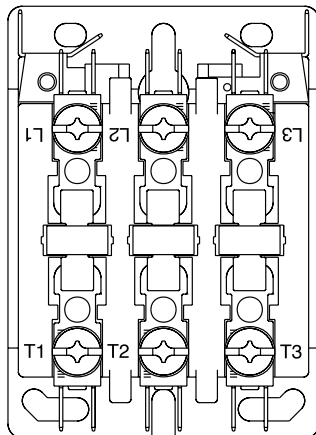
Type 154



MOUNTING DETAIL



154-902 THRU 905



154-907 THRU 915

