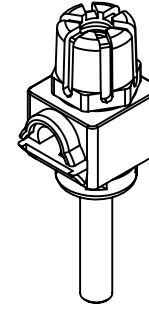
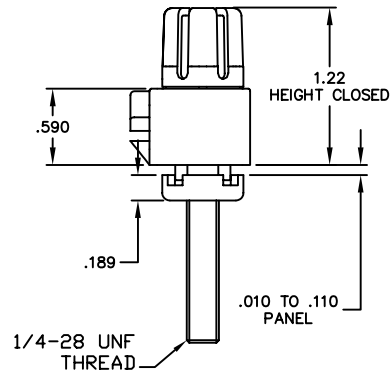
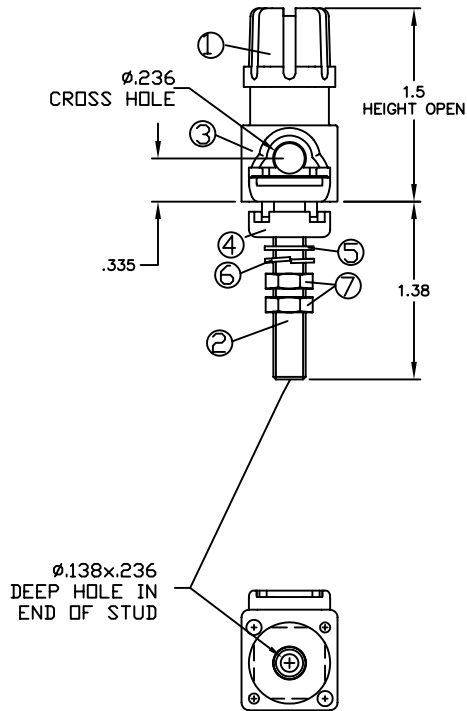
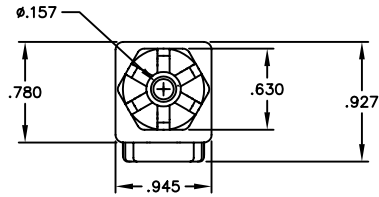
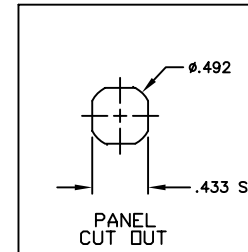


BILL OF MATERIALS				
DET.	QTY.	DESCRIPTION	MATERIAL	FINISH
1	1	RED KNOB	POLYAMIDE	-
2	1	BODY	BRASS	NICKEL
3	1	TOP INSULATOR	POLYAMIDE	-
4	1	BOTTOM INSUL	POLYAMIDE	-
5	1	FLAT WASHER	STEEL	NICKEL
6	1	SPLIT WASHER	SST	-
7	2	NUT	STEEL	NICKEL

REVISIONS				
SYM	DESCRIPTION	REVISED BY	DATE	APPR



ISOMETRIC VIEW



BINDING POST ASSEMBLY	
PART NO.	COLOR
1548-102	RED
1548-103	BLACK

THIS DRAWING AND THE INFORMATION THEREIN IS THE PROPERTY OF ABBATRON, LLC AND ALL UNAUTHORIZED USE OR REPRODUCTION THEREOF IS PROHIBITED.

MATERIAL: SEE NOTES	FINISH: SEE NOTES	HEAT TREAT: ---	ABBATRON Electronic Connectors and Hardware 632 Arch Street, Meadville, Pa. 16335						
DIMENSIONAL TOLERANCES UNLESS OTHERWISE SPECIFIED .XX .XXX .XXXX --- --- --- FRACTIONS ANGLES SCALE --- --- NONE						TITLE: 1548 BINDING POST HIGH CURRENT			
SURFACE FINISH 125						DRAWN: T. LORD DATE: 4/27/07 CHECKED: T. LORD DATE: 4/27/07 APPROVED: T. LORD DATE: 4/27/07	SIZE: A	DRAWING NUMBER: SD-1548	ISSUE: -
DIMENSIONAL TOLERANCES UNLESS OTHERWISE SPECIFIED .XX .XXX .XXXX --- --- --- FRACTIONS ANGLES SCALE --- --- NONE						DRAWN: T. LORD DATE: 4/27/07 CHECKED: T. LORD DATE: 4/27/07 APPROVED: T. LORD DATE: 4/27/07			SIZE: A