

# Type 153 Series Manual Reset Circuit Breaker Automotive Type III High Current - Waterproof



www.optifuse.com

(619) 593-5050

## Specifications:

**Voltage:** 42 VDC Maximum (32VDC – cURus approved)  
**Amperage:** 25A, 30A, 40A, 50A, 60A, 70A, 80A, 90A, 100A,  
 120A, 135A, 140A, 150A, 180A, 200A

**Interrupting Rating:** 3000A @ 30VDC

**IP Rating:** IP67

### Material:

Frame: Thermoset Plastic, UL rated 94-V0

Stud Insulators: EPDM plastic

**Mounting Torque:** 40in-lb Max.

**Stud Torque:** 50in-lb Max.

**ABYCE-11 compliant**

**Designed to meet:** SAE J162S; SAE J1171 (Ignition Protected)

## Part number format

153xxx

Where xxx = Amperage

025 through 200

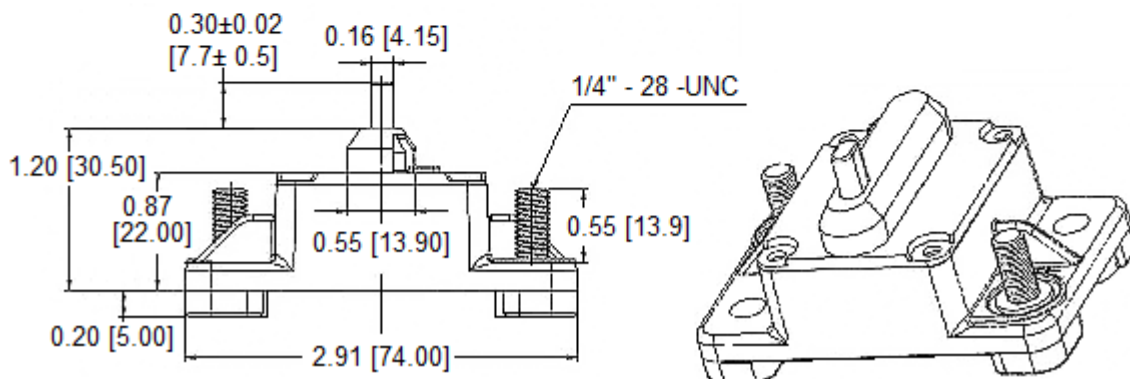
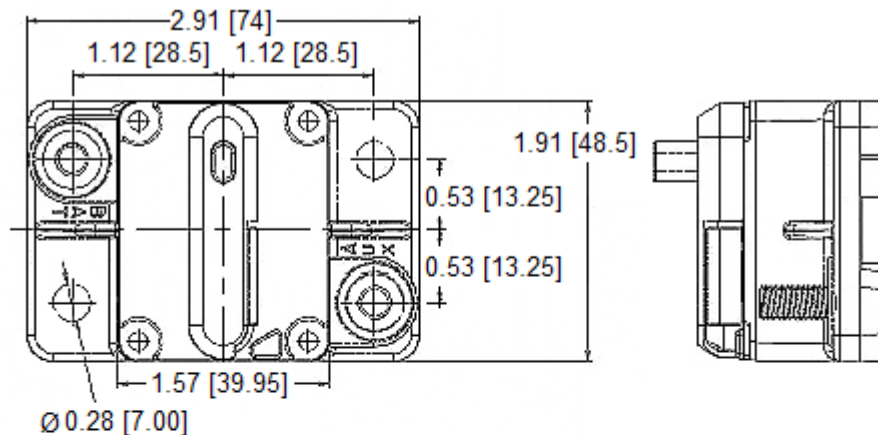


## Agency Standards and Listings:



50A – 150A @ 32VDC

## Mechanical Dimensions: Inches [mm]



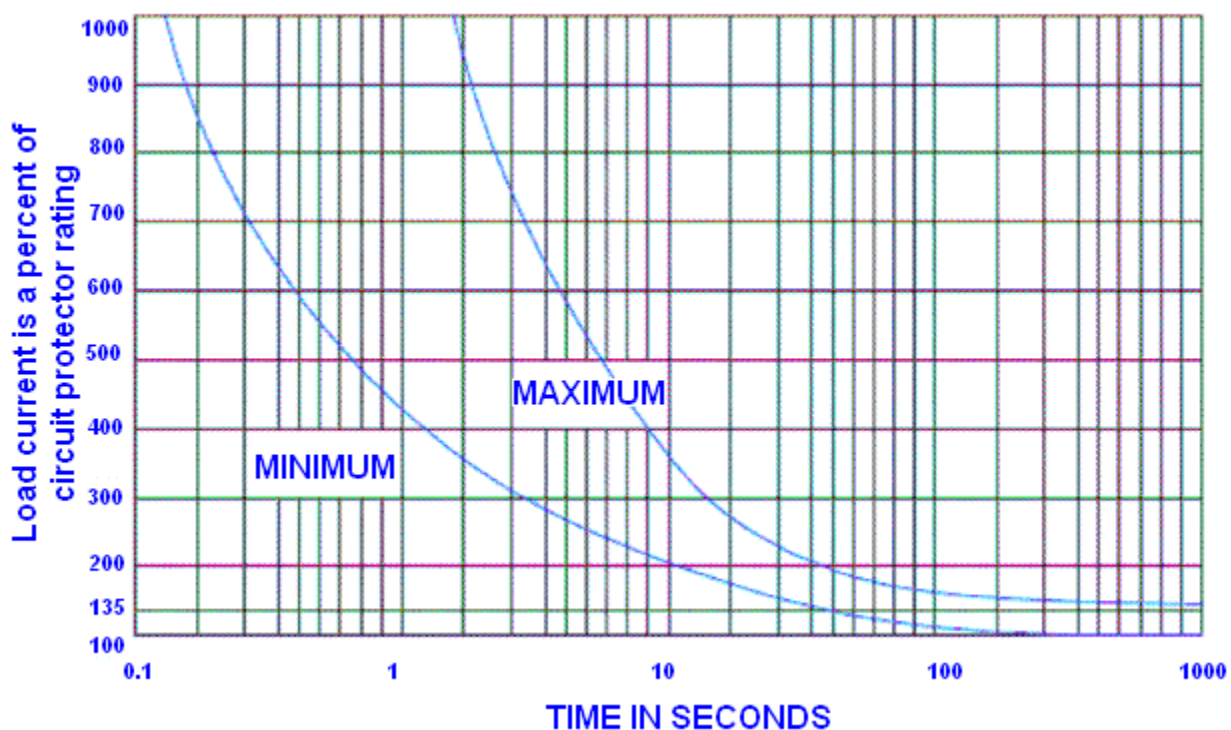
**Type 153 Series  
Manual Reset Circuit Breaker  
Automotive Type III  
High Current - Waterproof**



www.optifuse.com

(619) 593-5050

Time Characteristics:		
% of Rated Current	Min Hold Time	Max Hold Time
100%	No Trip	
135%		30m
200%	12s	45s
300%	3.5s	15s



	<p><b>Warning:</b> -Operation beyond the specified maximum ratings or improper use may result in damage and possible electrical arcing and/or flame.</p>
	<p>-Device are intended for occasional overcurrent protection. Application for repeated overcurrent condition and/or prolonged trip are not anticipated.</p> <p>-Avoid contact of device with chemical solvent. Prolonged contact will damage the device performance.</p>