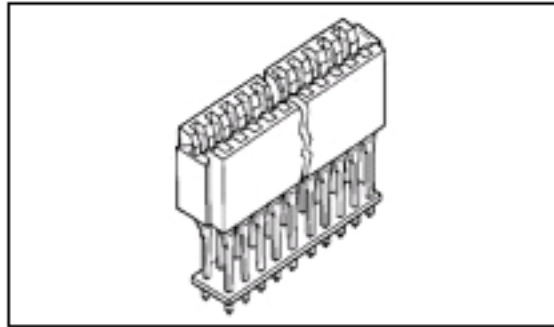




1-5147490-0 Product Details

[Share](#) | [Print](#) | [Email](#)


1-5147490-0

TE Internal Number: 1-5147490-0

Active

View 3D PDF

AMP PACE and AMP ECONOMATE Press-Fit Connectors

Always EU RoHS/ELV Compliant (Statement of Compliance)

Product Highlights:

- AMP PACE Product Line
- Connector
- Connector Assembly
- Connector Style = Card Edge
- 10 Dual Positions

[View all Features](#)

Quick Links

- ▶ [Check Pricing & Availability](#)
- ▶ [Search for Tooling](#)
- ▶ [Product Feature Selector](#)
- ▶ [Contact Us About This Product](#)

[Add to My Part List](#) | [Request Sample](#) | [Find Similar Products](#) | [Buy Product](#)

Documentation & Additional Information

Product Drawings:

- [CONNECTOR ASSEMBLY, NEXT GENERATION PACE, 2.54 \[.100\] CL \(PDF, English\)](#)

Catalog Pages/Data Sheets:

- None Available

Product Specifications:

- None Available

Application Specifications:

- [Next Generation AMP PACE Connectors \(PDF, English\)](#)

Instruction Sheets:

- None Available

CAD Files: (CAD Format & Compression Information)

- [2D Drawing \(DXF, Version A\)](#)
- [3D Model \(IGES, Version A\)](#)
- [3D Model \(STEP, Version A\)](#)

Additional Information:

- [Product Line Information](#)

Additional Product Images:

- [Recommended PC Board Edge Pattern](#)

Related Products:

- [Tooling](#)

[List all Documents](#)

Product Features (Please use the Product Drawing for all design activity)

Product Type Features:

- Product Line = AMP PACE
- Product Type = Connector
- Connector Type = Connector Assembly
- PCB Mount Retention Type = Compliant Posts

Termination Features:

- Termination Post Length (mm [in]) = 3.18 [0.125]

Body Features:

- Row Spacing (mm [in]) = 5.08 [0.200]
- Post Plating = Tin (100)

Contact Features:

- Contact Plating, Mating Area, Material = Gold (30)
- Contact Base Material = Phosphor Bronze
- Underplate Material = Nickel

Housing Features:

- Connector Style = Card Edge
- Centerline (mm [in]) = 2.54 [0.100]
- Housing Style = Closed End/Closed End - Standard
- Housing Material = Polyester GF
- UL Flammability Rating = UL 94V-0
- Housing Color = Black

Configuration Features:

- Number of Dual Positions = 10
- Pre-Assembled = Yes

Industry Standards:

- RoHS/ELV Compliance = RoHS compliant, ELV compliant
- Lead Free Solder Processes = Not relevant for lead free process
- RoHS/ELV Compliance History = Always was RoHS compliant

Other:

- Brand = AMP
- Proprietary Name = AMP PACE

Corporate Information

- [About TE](#)
- [Investors](#)
- [News Room](#)
- [Supplier Portal](#)
- [Careers](#)
- [Terms & Conditions](#)
- [Privacy Policy](#)

Quick Links

- [Check Distributor Inventory](#)
- [Cross Reference Products](#)
- [Find Documents & Drawings](#)
- [Product Compliance Support Center](#)
- [Site Map](#)

Customer Support

- [Email or Chat With Us](#)
- [Find a Phone Number](#)
- [Search Knowledge Base](#)
- [Manage Your Account](#)

Keep Me Informed

Receive TE News, Events & Technology Updates

