

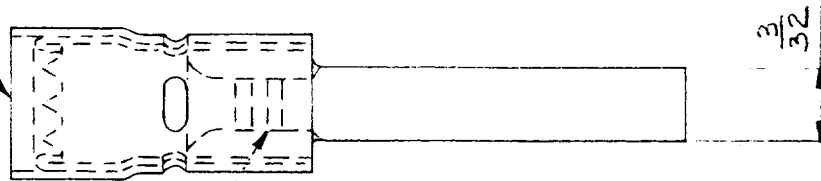
586 900  
~~~~~

NUMBER 150730

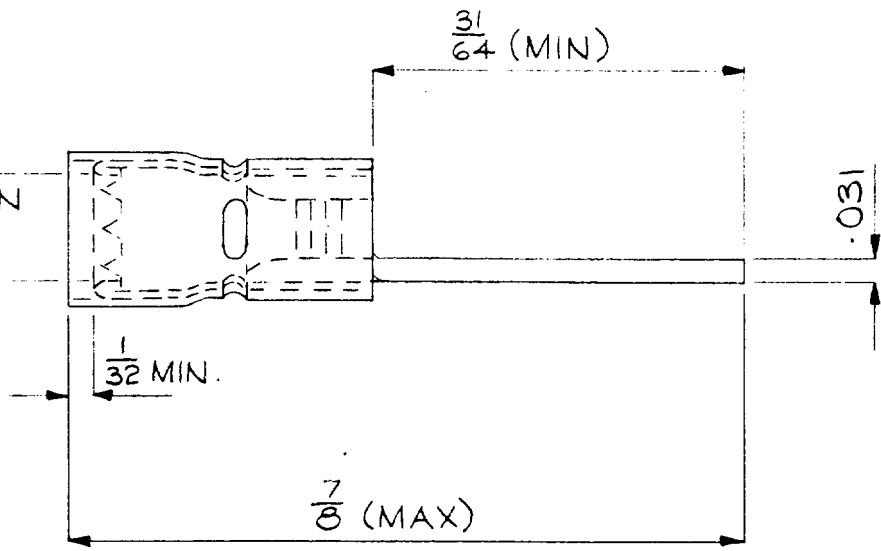
CUSTOMER COPY  
FOR REF ONLY

RED INSULATION

SERRATIONS




FOR INSULATION  
DIA. .080-.125.



DIMENSIONS IN INCHES. DO NOT SCALE PRINT.

PRINT LIST

|     |                 |                                                                                                                                                                    |                     |                                                                                                                                                           |                  |                                   |                |
|-----|-----------------|--------------------------------------------------------------------------------------------------------------------------------------------------------------------|---------------------|-----------------------------------------------------------------------------------------------------------------------------------------------------------|------------------|-----------------------------------|----------------|
|     |                 | MATERIAL<br>COPPER                                                                                                                                                 |                     | HEAT TREAT<br>ANNEALED                                                                                                                                    |                  | COATING OR PLATING<br>ELECTRO-TIN |                |
|     |                 | UNLESS OTHERWISE SPECIFIED REMOVE BURRS, BREAK SHARP EDGES 1/64 R. MAX.<br>FRACTIONS: ± 1/64      DECIMALS: .000 = ± .005<br>ANGLES: ± 0° 30'      .0000 = ± .0005 |                     |                                                                                                                                                           |                  |                                   |                |
|     |                 | FIRST USED                                                                                                                                                         | WIRE RANGE<br>22-16 | CLASS<br>TAB                                                                                                                                              | TYPE<br>P.I.D.G. | SCALE<br>4/1                      |                |
|     |                 | P.P.P.                                                                                                                                                             | AREA                |  AIRCRAFT - MARINE PRODUCTS<br>(GREAT BRITAIN) LTD.<br>LONDON, E.C.1. |                  |                                   |                |
|     |                 | DR<br>B.A. SMITH                                                                                                                                                   |                     |                                                                                                                                                           |                  | LOC<br>A                          | NO<br>C.150730 |
|     |                 | CHK<br><i>[Signature]</i>                                                                                                                                          |                     | NAME<br>WIRE TERMINAL                                                                                                                                     |                  |                                   |                |
|     |                 | APP<br>5.6.63                                                                                                                                                      |                     |                                                                                                                                                           |                  |                                   |                |
| LTR | REVISION RECORD | ECA                                                                                                                                                                | DR<br>CHK           | DATE                                                                                                                                                      | REL              |                                   |                |