

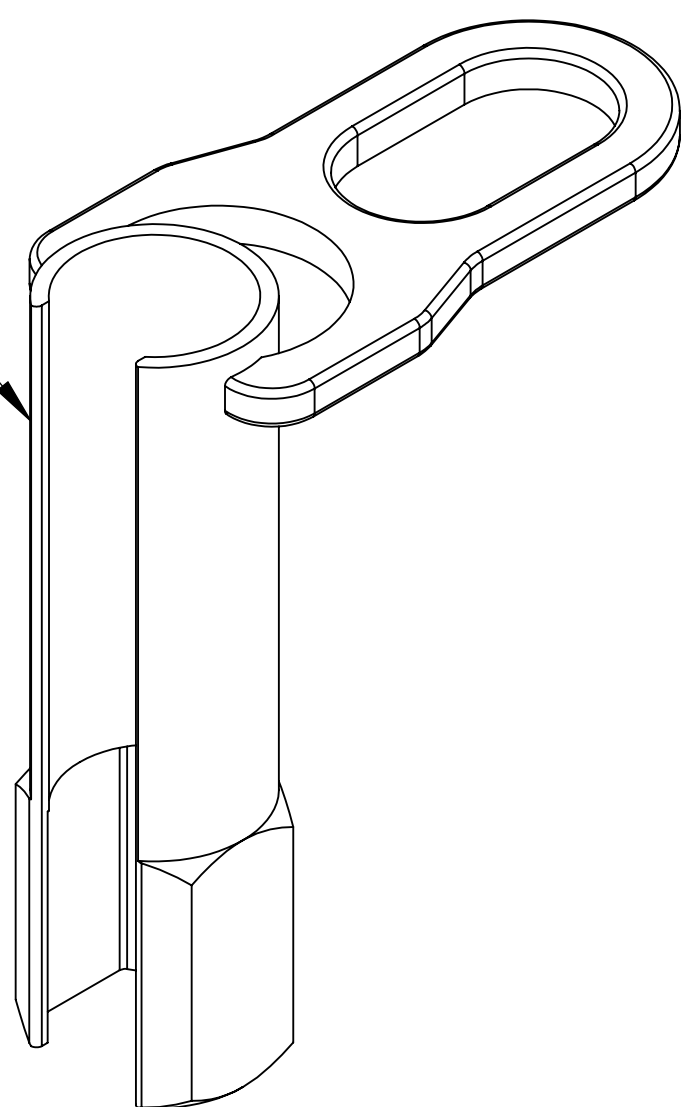
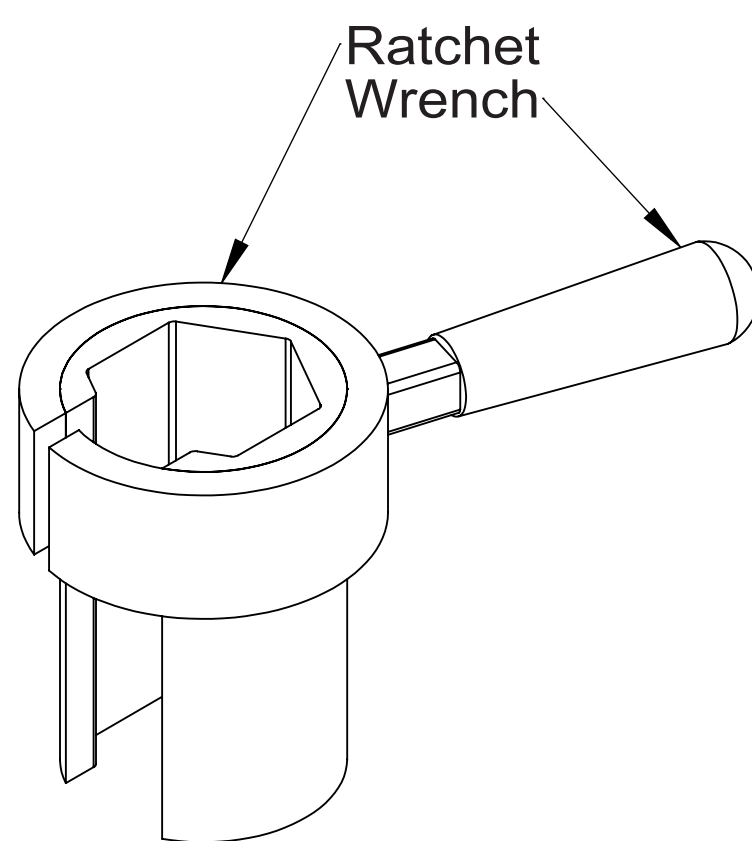
4

3

2

1

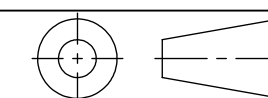
PART NUMBERS		WRENCHING FLATS INCHES (MM)	USED WITH SIZES	
SOCKET WRENCHES	RATCHET WRENCHES		PLASTIC DOME NUT	METAL DOME NUT
S-1400-WR S-1500-WR	R-1400-WR R-1500-WR	.55 (14) .59 (15)	PG7, M12	PG7, M12
S-1700-WR S-1900-WR	R-1700-WR R-1900-WR	.67 (17) .75 (19)	PG9, 3/8" NPT, M16	PG9, M16, 3/8" NPT 3/8" NPT, M16
S-2000-WR S-2200-WR	R-2000-WR R-2200-WR	.79 (20) .87 (22)	PG11, M16-E, 3/8" NPT	PG11, M16-E PG13, M20, 1/2" NPT
S-2400-WR S-2700-WR	R-2400-WR R-2700-WR	.94 (24) 1.06 (27)	PG13.5, 1/2" NPT, M20 PG16, 1/2" NPT-E, M20-E	PG16, 1/2" NPT, M20-E
S-3000-WR S-3300-WR	R-3000-WR	1.18 (30) 1.30 (33)	PG21, M25, 3/4" NPT	PG21, M25, 3/4" NPT
S-3600-WR S-4000-WR		1.42 (36) 1.57 (40)		PG29, M32, 1" NPT
S-4100-WR S-4200-WR		1.61 (41) 1.65 (42)	PG29, M32, 1" & 1-1/4" NPT	
S-4600-WR S-5000-WR		1.81 (46) 1.97 (50)	1-1/4" NPT	PG36, M40
S-5300-WR S-5500-WR		2.09 (53) 2.16 (55)	PG36, M40, 1-1/2" NPT	
S-5700-WR S-6000-WR		2.24 (57) 2.36 (60)	PG42, M50	PG42, M50
S-6400-WR S-6500-WR		2.52 (64) 2.56 (65)	PG48, M63	PG 48, M63
S-6400-WR S-6500-WR		2.68 (68)	M63	M63

Socket
WrenchRatchet
Wrench

NOTES:

- 1) GENERAL DIMENSIONS DRAWINGS.
- 2) DIMENSIONS [] ARE IN INCHES.
- 3) DIMENSIONS NOTED ARE FOR REFERENCE ONLY.

Third angle projection



14853 HINDSDALE AVE, SUITE D
CENTENNIAL, CO 80112-4240, USA
TEL: +1-303-699-1135
TOLL FREE: +1-800-456-9012
E MAIL: info@sealconusa.com,
WEBSITE: www.sealconusa.com