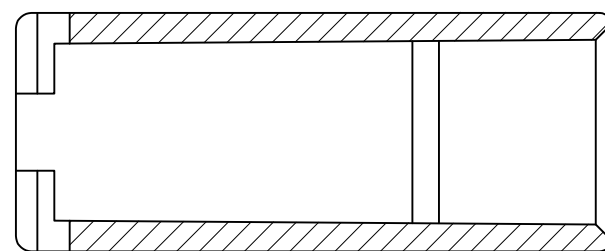


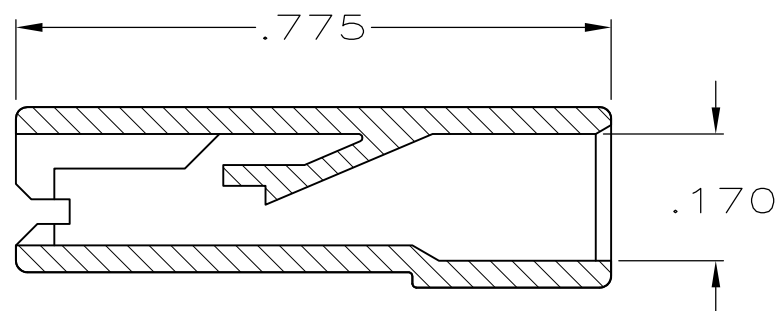
THIS DRAWING IS UNPUBLISHED. RELEASED FOR PUBLICATION  
 © COPYRIGHT - By - ALL RIGHTS RESERVED.

LOC	DIST	REVISIONS			
P	LTR	DESCRIPTION	DATE	DWN	APVD
AF	50	V4	REVISED PER ECR-11-007101	08APR11	HMR PD

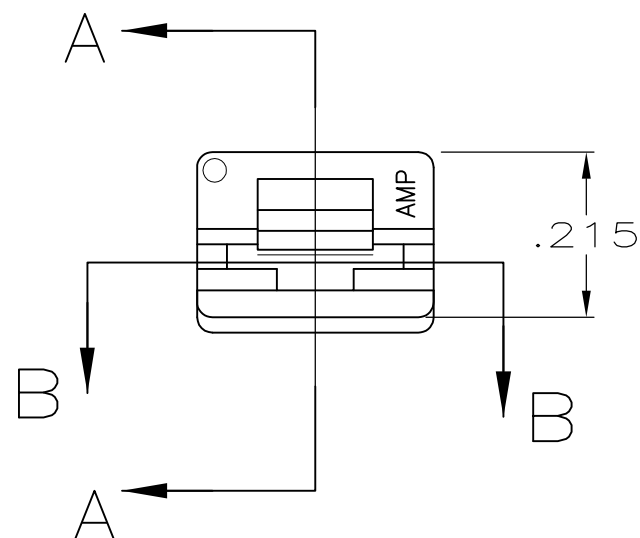
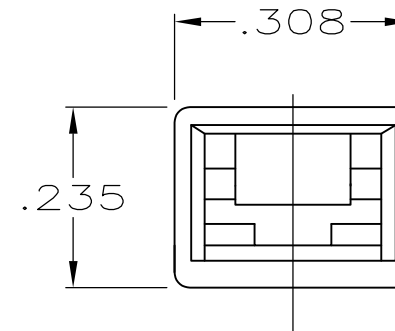
- 1 FOR FOREIGN PRODUCTION ONLY.
- 2 PRELIMINARY - NOT FOR PRODUCTION
- 3 POLYAMIDE, UL 94, V2 ACCORDING TO IEC 60335-1, GLOW WIRE.
- 4 OBSOLETE PARTS: OBSOLETE CIS STREAMLINING PER D.RENAUD/D.SINISI
- 5 ACCEPTS 187 SERIES FASTONS BUDGET AND PREMIER STYLE RECEPTACLES



SECTION B-B  
 ROTATED 90° CW



SECTION A-A



FINISH	MATERIAL	PART NO
NATURAL	UL94 5VA RATED	2-480435-0
NATURAL	-	1-480435-5
NATURAL	6/6 NYLON	1-480435-4
DYED BLACK		1-480435-3
DYED RED		1-480435-2
NATURAL		1-480435-0

THIS DRAWING IS A CONTROLLED DOCUMENT.		DWN JR RUTH 2/4/91	<b>STE</b> TE Connectivity	
DIMENSIONS: INCHES		CHK P FORTNEY 2/4/91		
TOLERANCES UNLESS OTHERWISE SPECIFIED:		APVD R KUZO 2/4/91	NAME HOUSING, RECEPTACLE, FASTON, .187 SERIES	
0 PLC ± - 1 PLC ± - 2 PLC ± - 3 PLC ± .015 4 PLC ± - ANGLES ± -		PRODUCT SPEC -	RESTRICTED TO -	
MATERIAL SEE TABLE		FINISH SEE TABLE	APPLICATION SPEC -	SIZE A3
		WEIGHT -	CAGE CODE 00779	DRAWING NO C-480435
		CUSTOMER DRAWING		SCALE 4:1
				SHEET 1 OF 1
				REV V4