

4

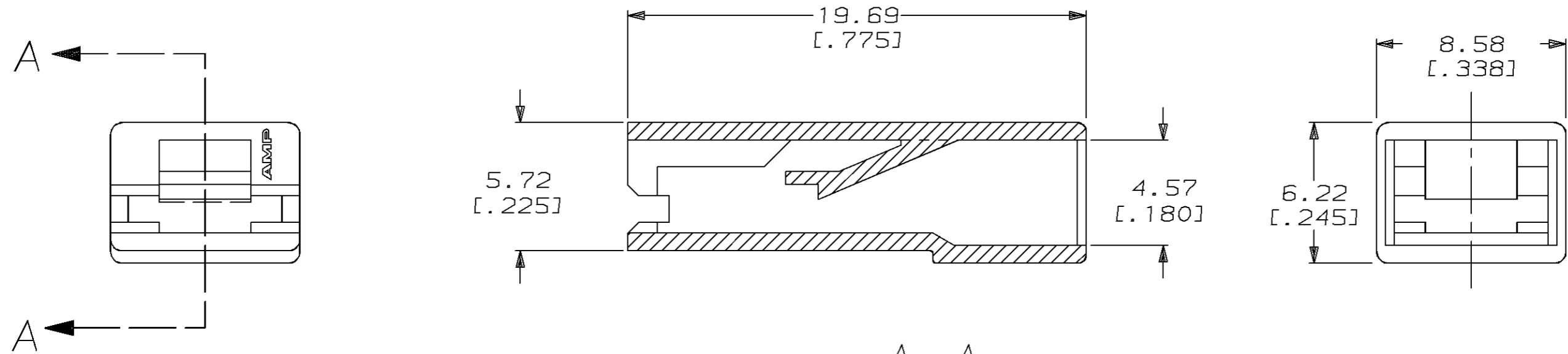
3

2

1

THIS DRAWING IS UNPUBLISHED. RELEASED FOR PUBLICATION, 19 .
 © COPYRIGHT 19 BY AMP INCORPORATED. ALL RIGHTS RESERVED.

LOC	DIST	REVISIONS			
P	LTR	DESCRIPTION	DATE	DWN	APVD
AF	50				
	K	REDRAWN PER 0L10-0041-96	8/9/96	JR	RB



SECTION A-A

1-480418-0
 PART NO.

THIS DRAWING IS A CONTROLLED DOCUMENT.		DWN	JR RUTH	8/9/96	AMP Incorporated Harrisburg, PA 17105-3608
DIMENSIONS: MM [INCHES]		CHK	MS FEHER	8/9/96	
		APVD	R BEAVER	8/9/96	
TOLERANCES UNLESS OTHERWISE SPECIFIED: 0 PLC ±- 1 PLC ±- 2 PLC ±0.38 [.015] 3 PLC ±- 4 PLC ±- ANGLES ±-		PRODUCT SPEC	-		
MATERIAL 6/6 NYLON		FINISH	NATURAL	WEIGHT	-
		CUSTOMER DRAWING		NAME	HOUSING, RECEPTACLE, FASTON, 5.21 [.205] SERIES
		SIZE	A3	CAGE CODE	00779
		DRAWING NO	C-480418		
		SCALE	5:1	SHEET	1 OF 1
		REV	K		