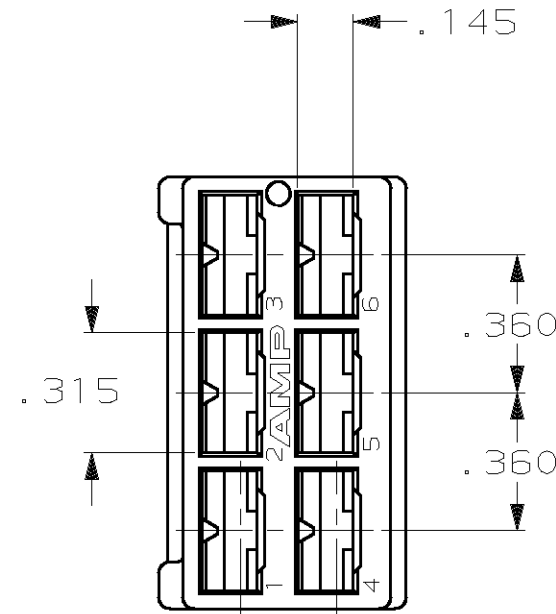
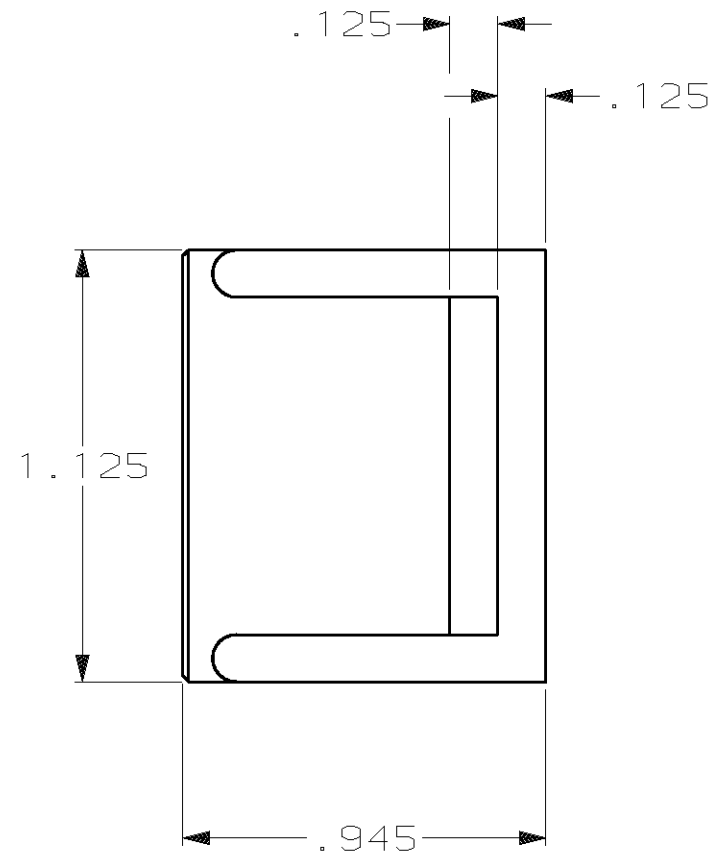
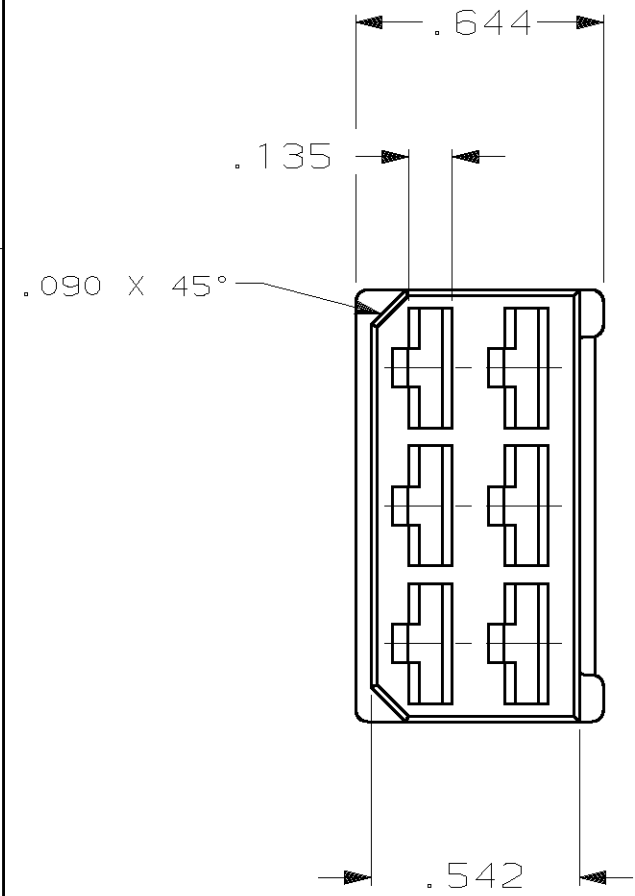


THIS DRAWING IS UNPUBLISHED. RELEASED FOR PUBLICATION, 19
 © COPYRIGHT 19 BY AMP INCORPORATED. ALL INTERNATIONAL RIGHTS RESERVED.

LOC AF	DIST 50	P	F	REVISIONS			DATE	APPD
				ZONE	LTR	DESCRIPTION		
					AB	REV PER 0G1A-0176-99	16JUN99	JR/PD



1 FOR MOUNTING DIMENSIONS REFER TO CP-15708.

	BLACK	NYLON-V2	1-480281-0
	COLOR	MATERIAL	PART NO
DO NOT SCALE PRINT. UNLESS SPECIFIED DIMENSIONS ARE IN INCHES. TOLERANCES ON: 2 PLC DEC ± - 3 PLC DEC ± .015 ANGLES ± -	DR 2/5/91 JR RUTH CHK 2/5/91 P FORTNEY	AMP AMP Incorporated Harrisburg, PA 17105-3608	
MATERIAL SEE TABLE	APPD 2/5/91 C MEYERS APPD 2/5/91 D REINER	NAME HOUSING, RECEPTACLE, FASTIN-FASTON, .250 SERIES	
FINISH SEE TABLE	PRODUCT SPEC - APPLICATION SPEC - WEIGHT -	SIZE B	CAGE CODE 00779
		DRAWING NO 480281	
		SCALE 2:1	SHEET 1 OF 1