

Black



Grey

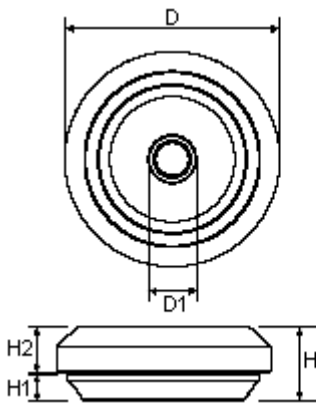


White



Features:

- Suitable for holes in material of 0.5 to 4.5 mm thickness
- Quick and simple assembly without the use of tools
- Halogen-free
- Handles exceptionally large cable span
- An end-plug for all applications



Dimensions : Millimetres

Specifications:

Material	: TPE - thermoplastic elastomer
Mode of protection	: IP 67
Temperature range	: -50°C to +125°C
Test standard	: IEC 60529, IP67
Semko report	: M16 - 708555 -1 M20 - 708555 -2 M25 - 708555 -3 M32 - 708555 -4

Specification Table

Size	Colour	For Cable / Pipe Ø	A	B	H	H1	H2	D	D1	Pack (Pieces)	Part Number						
M16	Grey	5 to 10	16.5	0.5 to 3	11	4	6.75	25.5	4	50	1475711						
M20		6 to 13	20.5					27.5	5		1475712						
M25		8 to 17	25.5	0.5 to 3.5				32.5	7		1475713						
M32		12 to 24	32.5	0.5 to 4.5				39.5	11	25	1475714						
M16	Black	5 to 10	16.5	0.5 to 3				11	4	6.75	25.5	4	50	1475716			
M20		6 to 13	20.5								27.5	5		1475717			
M25		8 to 17	25.5	0.5 to 3.5							32.5	7		1475718			
M32		12 to 17	32.5	0.5 to 4.5							39.5	11	25	1475719			
M16	White	5 to 10	16.5	0.5 to 3							11	4	6.75	25.5	4	50	1475721
M20		6 to 13	20.5											27.5	5		1475722
M25		8 to 17	25.5	0.5 to 3.5										32.5	7		1475723
M32		12 to 24	32.5	0.5 to 4.5										39.5	11	25	1475724

Dimensions : Millimetres

Important Notice : This data sheet and its contents (the "Information") belong to the members of the Premier Farnell group of companies (the "Group") or are licensed to it. No licence is granted for the use of it other than for information purposes in connection with the products to which it relates. No licence of any intellectual property rights is granted. The Information is subject to change without notice and replaces all data sheets previously supplied. The Information supplied is believed to be accurate but the Group assumes no responsibility for its accuracy or completeness, any error in or omission from it or for any use made of it. Users of this data sheet should check for themselves the Information and the suitability of the products for their purpose and not make any assumptions based on information included or omitted. Liability for loss or damage resulting from any reliance on the Information or use of it (including liability resulting from negligence or where the Group was aware of the possibility of such loss or damage arising) is excluded. This will not operate to limit or restrict the Group's liability for death or personal injury resulting from its negligence. Pro-POWER is the registered trademark of the Group. © Premier Farnell plc 2012.