

IM - C Relay

- Minimum board-space 60 mm²
- Slim line 10x6mm (0.39x0.24") and low profile 5.65mm (0.222")
- Switching power 60W/62.5VA
- Switching voltage 220VDC/250VAC
- Switching current 4A
- Bifurcated contacts
- High mechanical shock resistance up to 300g functional and 500g survival

Typical applications

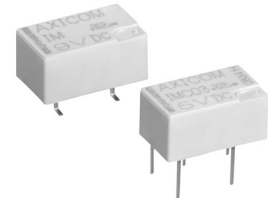
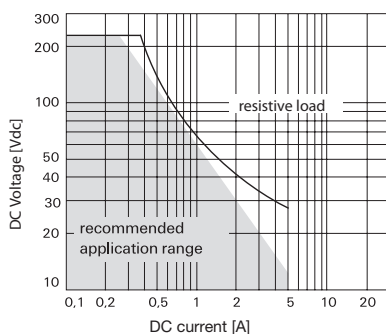
Telecommunication, access and transmission equipment, optical network terminals, modems, office and business equipment, consumer electronics, measurement and test equipment, industrial control, medical equipment, automotive applications

Approvals

UL 508 File No. E 111441
Technical data of approved types on request

Contact Data	standard	C
	standard version	high dielectric version
Contact arrangement	1 Form C (CO)	
Max. switching voltage	220VDC, 250VAC	
Rated current	4A	4A
Limiting continuous current	3A	3A
Switching power	60W, 62.5VA	
Contact material	PdRu	
Contact style	Au covered twin contacts	
Min. recommended contact load	100µV/1µA	
Initial contact resistance	<50mΩ	
Thermoelectric potential	<10µV	
Operate time	typ. 1ms, max. 3ms	
Release time	typ. 1ms, max. 3ms	
without diode in parallel	typ. 3ms, max. 5ms	
with diode in parallel	typ. 3ms, max. 5ms	
Bounce time max.	typ. 1ms, max. 5ms	
Electrical endurance		
at contact application 0 (≤ 30mV / ≤ 10mA)	min. 2.5x10 ⁶ operations	
cable load open end	min. 2.0x10 ⁶ operations	
resistive, 125VDC / 0.24A - 30W	min. 5x10 ⁵ operations	
resistive, 220 VDC / 0.27A - 60W	min. 1x10 ⁵ operations	
resistive, 250VAC / 0.25A - 62.5VA	min. 1x10 ⁵ operations	
resistive, 30VDC / 1A - 30W	min. 5x10 ⁵ operations	
resistive, 30VDC / 2A - 60W	min. 1x10 ⁵ operations	

Max. DC load breaking capacity



IM_C



Contact Data (continued)

Contact ratings, UL contact rating	220VDC, 0.24A, 60W 125VDC, 0.24A, 30W 250VAC, 0.25A, 62.5VA 125VAC, 0.5A, 62.5VA 30VDC, 2A, 60W"
Mechanical endurance	10 ⁸ operations

Coil Data

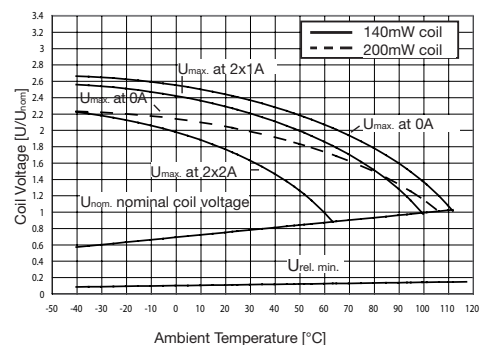
Magnetic system	monostable, bistable
Coil voltage range	1.5 to 24VDC
Max. coil temperature	125°C.
Thermal resistance	<150K/W

Coil versions, standard version, monostable, 1 coil

Coil code	Rated voltage VDC	Operate set voltage VDC	Release voltage VDC	Coil resistance Ω±10%	Rated coil power mW
01	3	2.25	0.30	64	140
02	4.5	3.38	0.45	145	140
03	5	3.75	0.50	178	140
06	12	9.00	1.20	1029	140
07	24	18.00	2.40	2880	140

All figures are given for coil without pre-energization, at ambient temperature +23°C

Coil operating range, standard version



IM - C Relay (Continued)

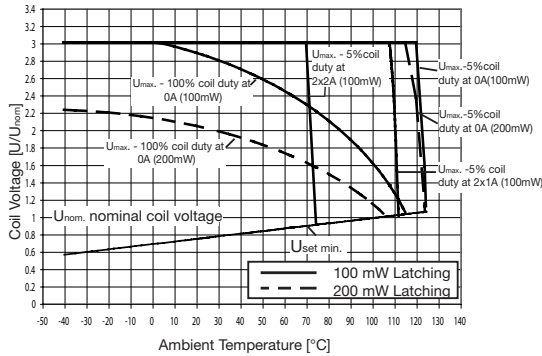
Coil Data (continued)

Coil versions, bistable 1 coil

Coil code	Rated voltage VDC	Set voltage VDC	Reset Voltage VDC	Coil resistance $\Omega \pm 10\%$	Rated coil power mW
41	3	2.25	-2.25	90	100

All figures are given for coil without pre-energization, at ambient temperature +23°C

Coil operating range, bistable 1 coil



Insulation	standard	C
	standard version	high dielectric version
Initial dielectric strength		
between open contacts	1000V _{rms}	1800V _{rms}
between contact and coil	1800V _{rms}	2500V _{rms}
between adjacent contacts		
Initial surge withstand voltage		
between open contacts	1500V	2500V
between contact and coil	2500V	2500V
Initial insulation resistance		
between insulated elements	>10 ⁹ Ω	>10 ⁹ Ω
Capacitance		
between open contacts		max. 1pF
between contact and coil		max. 2pF
between adjacent contacts		max. 2pF

RF Data

Cross talk at 100MHz/900MHz	-37.0dB/-18.8dB
Insertion loss at 100MHz/900MHz	-0.03dB/-0.33dB
Voltage standing wave ratio (VSWR) at 100MHz/900MHz	1.06/1.49

Other Data

Material compliance: EU RoHS/ELV, China RoHS, REACH, Halogen content refer to the Product Compliance Support Center at www.te.com/customer-support/rohssupportcenter

Ambient temperature	-40°C to +85°C
Thermal resistance	<150K/W
Category of environmental protection	
IEC 61810	RT V - hermetically sealed
Degree of protection	
IEC 60529	IP 67, immersion cleanable
Vibration resistance (functional)	20g, 10 to 500Hz
Shock resistance (functional), half sinus 11ms	50g
Shock resistance (destructive), half sinus 0.5ms	500g
Weight	max. 0.75g

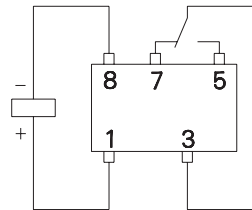
Other Data (continued)

Resistance to soldering heat THT	265°C/10s
IEC 60068-2-20	
Resistance to soldering heat SMT	265°C/10s
IEC 60068-2-58	
Moisture sensitive level, JEDEC J-Std-020D	MSL3
Ultrasonic cleaning	not recommended
Packaging/unit	
THT version	tube/50pcs., box/1000 pcs.
SMT version	reel/1000 pcs., box/1000 or 5000 pcs.

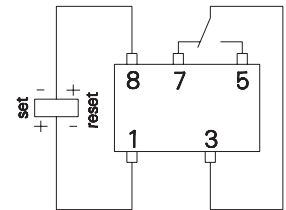
Terminal assignment

TOP view on relay

Monostable version



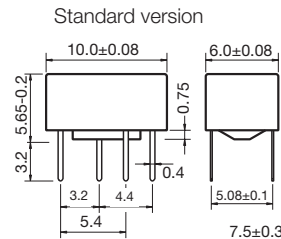
Bistable version, 1 coil reset condition



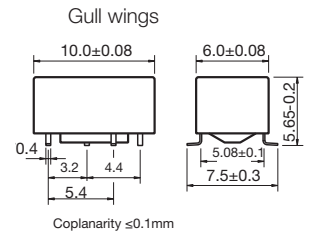
Contacts are shown in reset condition. Contact position might change during transportation and must be reset before use.

Dimensions

THT version



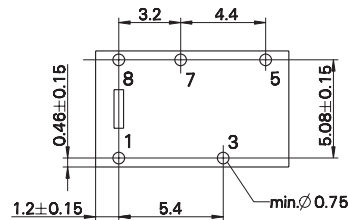
SMT version



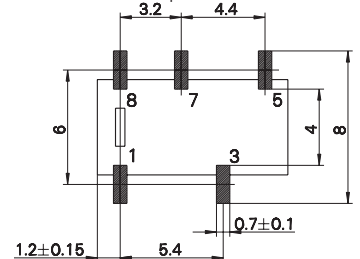
PCB layout

TOP view on component side of PCB

THT mounting holes



SMT - solder pads

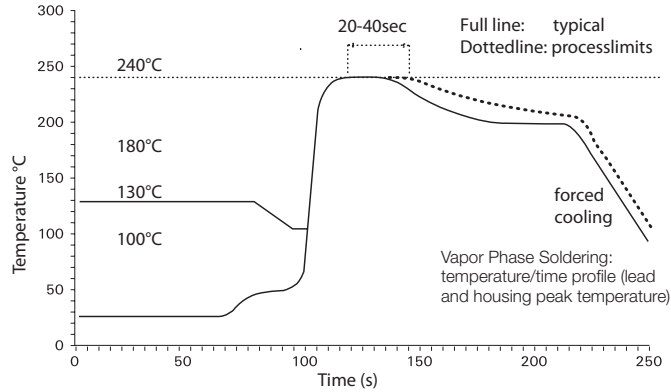


IM - C Relay (Continued)

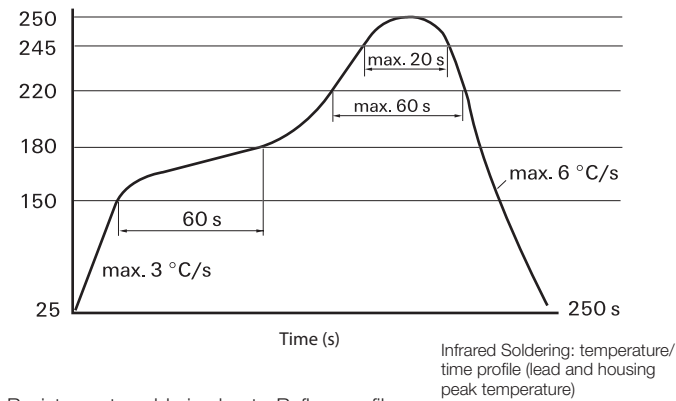
Processing

Recommended soldering conditions

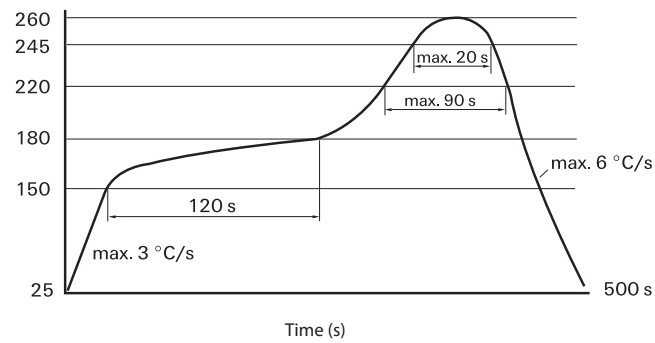
Soldering conditions according IEC 60058-2-58 and IPC/JEDEC J-STD-020B



Recommended reflow soldering profile



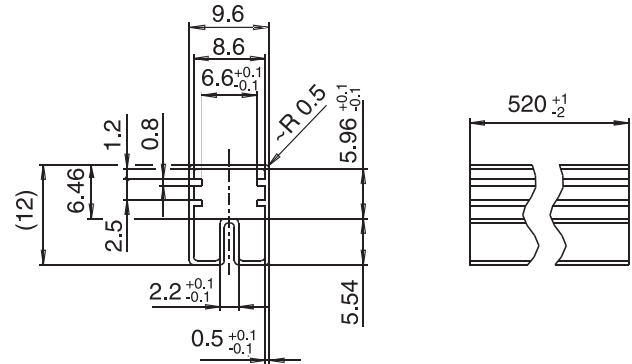
Resistance to soldering heat - Reflow profile



Packing

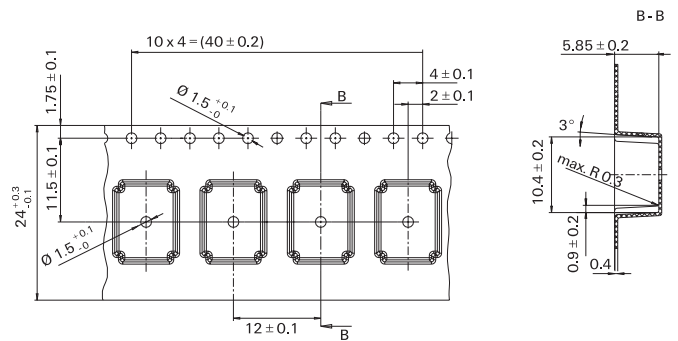
Tube for THT version

50 relays per tube, 1000 relays per box

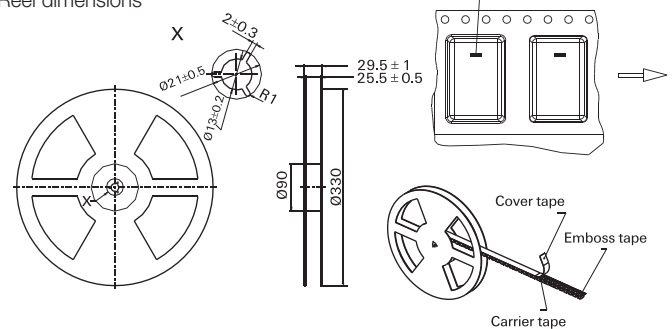


Tape and reel for SMT version

1000 relays per reel, 1000 or 5000 relays per box



Reel dimensions



IM - C Relay (Continued)

Product code structure		Typical product code		IM	C	03	G	R
Type	IM Signal Relays IM Series IMC							
Contact arrangement	C 1 form C, 1 CO							
Coil	Coil code: please refer to coil versions table							
Performance type	Blank Standard version		C High Dielectric Version					
Terminals	T THT - standard		G SMT - gull wing					
Packing	S Tube		R Reel					

Product code	Arrangement	Perf. type	Coil	Coil type	Terminals	Part number		
IMC01GR	1 form C,	Standard	3VDC	Monostable	SMT gull wing	1462042-1		
IMC01TS	1 CO					THT standard	1462042-4	
IMC02GR	contact		4.5VDC			SMT gull wing	1462042-2	
IMC02TS						THT standard	1462042-5	
IMC03GR			5VDC			SMT gull wing	1462042-8	
IMC03TS						THT standard	1462042-7	
IMC06GR			12VDC			SMT gull wing	1462042-3	
IMC06TS						THT standard	1462042-6	
IMC07GR			24VDC			SMT gull wing	1-1462042-1	
IMC07TS						THT standard	1-1462042-2	
IMC02CGR			High dielectric		4.5VDC		SMT gull wing	1-1462042-0
IMC06CGR					12VDC			1462042-9
IMC06CTS					9VDC		THT standard	1-1462042-4
IMC41CTS					3VDC	Bistable		1-1462042-3