

Valve connectors - SAC-3P-MS/BI-1L-Z SCO - 1458567


Please be informed that the data shown in this PDF Document is generated from our Online Catalog. Please find the complete data in the user's documentation. Our General Terms of Use for Downloads are valid (<http://phoenixcontact.com/download>)



Valve connectors, 3-position, Plug straight M12, coding: A, on Valve connector BI (11 mm), with 1 LED, connected with Z diode



Key Commercial Data

Packing unit	1 pc
GTIN	 4 046356 639019
GTIN	4046356639019
Weight per Piece (excluding packing)	26.700 g
Custom tariff number	85366990
Country of origin	Germany

Technical data

Dimensions

Central screw valve connector	M3 x 29
Width	20 mm
Height	42.4 mm
Length	41 mm

Ambient conditions

Ambient temperature (operation)	-25 °C ... 85 °C (valve plug)
	-25 °C ... 85 °C (valve plug)
Degree of protection	IP65
	IP67

General

Valve connectors - SAC-3P-MS/BI-1L-Z SCO - 1458567

Technical data

General

Rated current at 40°C	4 A
Rated voltage	24 V AC
	24 V DC
Number of positions	3
Insulation resistance	≥ 100 MΩ
Coding	A - standard
Standards/regulations	M12 connector IEC 61076-2-101
Status display	Yellow LED
Protective circuit/component	Z diode
Pulse power W_{max}	40 W (at 100 μs square-wave pulse)
Terminal voltage	70 V (at 2 mA constant current)
Reverse voltage	50 V
Overvoltage category	II
Degree of pollution	3
Connection method	M12 connector
Insertion/withdrawal cycles	50 (valve plug)
	≥ 100 (M12 connector)
Torque	0.6 Nm (valve plug)

Material

Flammability rating according to UL 94	HB
Contact material	CuSn
Contact surface material	Ni/Au
Contact carrier material	PA66
Valve plug contact material	CuSn
Valve plug contact surface material	Sn
Valve plug contact insert material	PA 6.6
Material housing valve plug	TPU
Material, knurls	Zinc die-cast, nickel-plated
Sealing material	TPU (Seal molded)

Standards and Regulations

Standards/specifications	M12 connector IEC 61076-2-101
Flammability rating according to UL 94	HB

Environmental Product Compliance

REACH SVHC	Lead 7439-92-1
China RoHS	Environmentally Friendly Use Period = 50 years

Valve connectors - SAC-3P-MS/BI-1L-Z SCO - 1458567

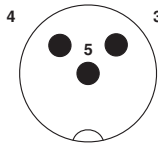
Technical data

Environmental Product Compliance

	For details about hazardous substances go to tab "Downloads", Category "Manufacturer's declaration"
--	---

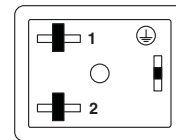
Drawings

Schematic diagram



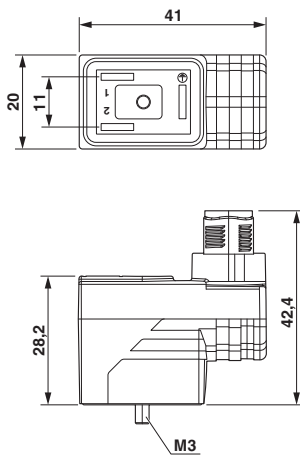
Pin assignment M12 plug, 3-pos., A-coded, view male side

Schematic diagram

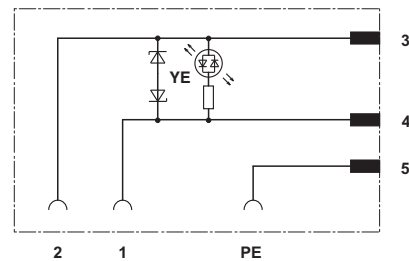


Valve connector pin assignment, type BI

Dimensional drawing



Circuit diagram



Classifications

eCl@ss

eCl@ss 10.0.1	27440105
eCl@ss 11.0	27440105
eCl@ss 4.0	27140800
eCl@ss 4.1	27140800
eCl@ss 5.0	27143400
eCl@ss 5.1	27143400
eCl@ss 6.0	27279200
eCl@ss 7.0	27440104

Valve connectors - SAC-3P-MS/BI-1L-Z SCO - 1458567

Classifications

eCl@ss

eCl@ss 9.0	27440105
------------	----------

ETIM

ETIM 4.0	EC002062
ETIM 6.0	EC002925
ETIM 7.0	EC002925

UNSPSC

UNSPSC 6.01	31251501
UNSPSC 7.0901	31251501
UNSPSC 11	31251501
UNSPSC 12.01	31251501
UNSPSC 13.2	32151909
UNSPSC 19.0	31251501
UNSPSC 20.0	31251501
UNSPSC 21.0	31251501

Approvals

Approvals


Approvals

DNV GL / CSAus / EAC / EAC

Ex Approvals

Approval details

DNV GL		https://approvalfinder.dnvgl.com/	TAE00002K4
--------	---	---	------------

CSAus		http://www.csagroup.org/services-industries/product-listing/	13631
Nominal voltage UN	24 V		

Valve connectors - SAC-3P-MS/BI-1L-Z SCO - 1458567

Approvals

Nominal current I _N	4 A
--------------------------------	-----

EAC		RU C- DE.AI30.B.01102
-----	--	--------------------------

EAC		RU C- DE.BL08.B.00511
-----	--	--------------------------

Accessories

Accessories

Screwdriver tools

Screw insert - SF-BIT-PH 1-70 - 1212582



Screw bit, PH crosshead, E6.3-1/4" drive, size: PH 1 x 70 mm, hardened, suitable for holder according to DIN 3126-F6.3/ISO 1173

Sensor/actuator cable

Connecting cable - SAC-3P-FS SCO V/.../... - 1406702



Connecting cable, 3-position, Variable cable type, free cable end, on Socket straight M12 SPEEDCON, coding: A, cable length: Free input (0.2 ... 40.0 m), for valve plug adapters

Sensor/actuator cable - SAC-3P-M12MS/3,0-PUR/M12FS 345 - 1402560



Sensor/actuator cable, 3-position, PUR halogen-free, black-gray RAL 7021, Plug straight M12, coding: A, on Socket straight M12, coding: A, cable length: 3 m, For valve connector

Valve connectors - SAC-3P-MS/BI-1L-Z SCO - 1458567

Accessories

Sensor/actuator cable - SAC-3P-M12MS/5,0-PUR/M12FS 345 - 1402561



Sensor/actuator cable, 3-position, PUR halogen-free, black-gray RAL 7021, Plug straight M12, coding: A, on Socket straight M12, coding: A, cable length: 5 m, For valve connector

Sensor/actuator cable - SAC-3P-M12MS/10,0-PUR/M12FS 345 - 1402562



Sensor/actuator cable, 3-position, PUR halogen-free, black-gray RAL 7021, Plug straight M12, coding: A, on Socket straight M12, coding: A, cable length: 10 m, For valve connector

Torque tool

Torque screwdriver - TSD-M 1,2NM - 1212224



Torque screw driver, accuracy as per EN ISO 6789 standard, adjustable from 0.3 - 1.2 Nm