

## Panel feed-through - SACC-DSI-M12FS-5CON-M16 - 1441778

Please be informed that the data shown in this PDF Document is generated from our Online Catalog. Please find the complete data in the user's documentation. Our General Terms of Use for Downloads are valid (<http://phoenixcontact.com/download>)




Sensor/actuator flush-type socket, 5-pos., M12 SPEEDCON, A-coded, rear/screw mounting with M16 thread, with straight solder connection

### Your advantages

- ✓ Easy PCB assembly: one-piece connectors for wave soldering
- ✓ All standard pin assignments and codings for signal, data, and power transmission with a uniform design-in design
- ✓ SPEEDCON fast locking system reduces cabling times



### Key Commercial Data

|                                      |   |
|--------------------------------------|---|
| Packing unit                         | 1 pc  |
| Minimum order quantity               | 20 pc   |
| GTIN                                 | <br>4 046356 533973 |
| GTIN                                 | 4046356533973   |
| Weight per Piece (excluding packing) | 15.000 g  |
| Custom tariff number                 | 85366990  |
| Country of origin                    | Germany   |

### Technical data

#### Dimensions

|                          |      |
|--------------------------|------|
| Length of the solder pin | 6 mm |
|--------------------------|------|

#### Ambient conditions

|                                 |   |
|---------------------------------|---|
| Ambient temperature (operation) | -25 °C ... 85 °C (Plug / socket)                |
|                                 | -40 °C ... 85 °C (without mechanical actuation) |
| Degree of protection            | IP67 (When plugged in)                          |

# Panel feed-through - SACC-DSI-M12FS-5CON-M16 - 1441778

## Technical data

### Ambient conditions

|  |                        |
|--|------------------------|
|  | IP65 (When plugged in) |
|--|------------------------|

### General

|                             |  |
|-----------------------------|--|
| Note                        | The electrical and mechanical data specified assume that the connector pair is correctly locked and mounted. If the connector is unlocked and if there is a danger of contamination, the connector must be sealed using a protective cap > IP54. Influences arising from litz wires, cables or PCB assembly must also be taken into consideration. |
| Rated current at 40°C       | 4 A  |
| Rated voltage               | 60 V   |
| Rated surge voltage         | 1.5 kV   |
| Number of positions         | 5  |
| Insulation resistance       | ≥ 100 MΩ   |
| Coding                      | A - standard   |
| Standards/regulations       | M12 connector IEC 61076-2-101  |
| Status display              | No   |
| Overvoltage category        | II   |
| Degree of pollution         | 3  |
| Connection method           | Solder pins  |
| Insertion/withdrawal cycles | > 100  |
| Torque                      | 3 Nm ... 4 Nm (Installation-side)  |
| Mounting type               | Rear mounting M16 x 1.5 With flat nut  |

### Material

|  |                              |
|--|------------------------------|
| Flammability rating according to UL 94 | V0                           |
| Contact material                       | CuZn                         |
| Contact surface material               | Au                           |
| Contact carrier material               | PA 6.6                       |
| Material, knurls                       | Zinc die-cast, nickel-plated |
| Sealing material                       | NBR                          |

### Cable

|                                 |   |
|---------------------------------|---|
| Standards/specifications        | M12 connector IEC 61076-2-101                   |
| Ambient temperature (operation) | -40 °C ... 85 °C (cable, fixed installation)    |
|                                 | -25 °C ... 85 °C (cable, flexible installation) |

### Standards and Regulations

|  |                 |
|--|-----------------|
| Standard designation                   | M12 connector   |
| Standards/regulations                  | IEC 61076-2-101 |
| Flammability rating according to UL 94 | V0              |

# Panel feed-through - SACC-DSI-M12FS-5CON-M16 - 1441778

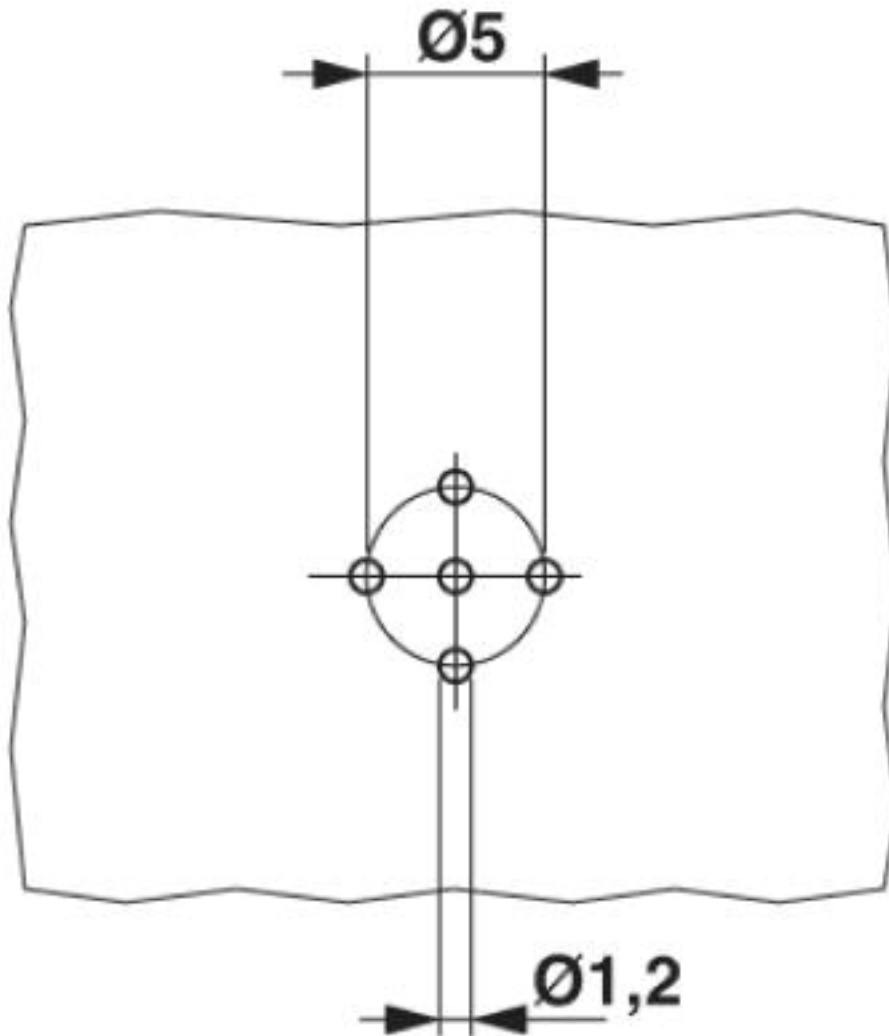
## Technical data

### Environmental Product Compliance

|            |   |
|------------|---|
| REACH SVHC | Lead 7439-92-1  |
| China RoHS | Environmentally Friendly Use Period = 50  |
|            | For details about hazardous substances go to tab "Downloads", Category "Manufacturer's declaration" |

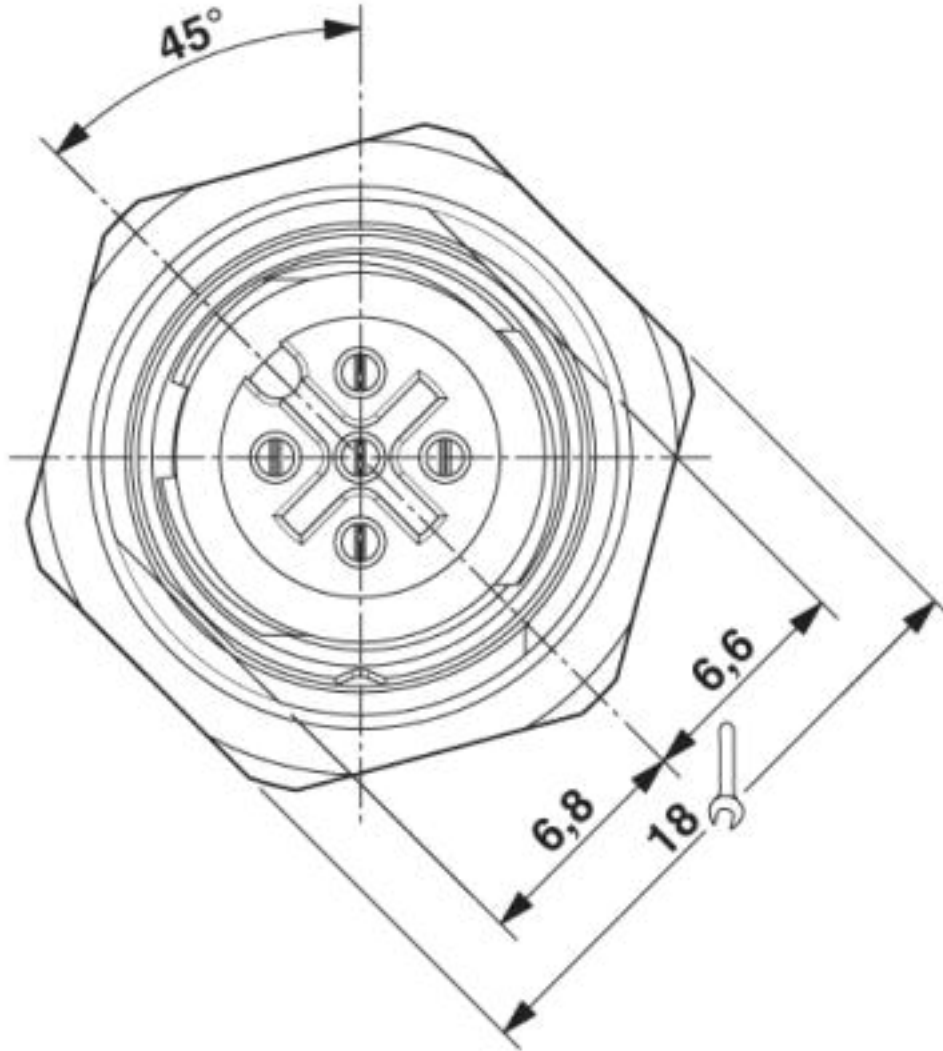
## Drawings

Drilling diagram



# Panel feed-through - SACC-DSI-M12FS-5CON-M16 - 1441778

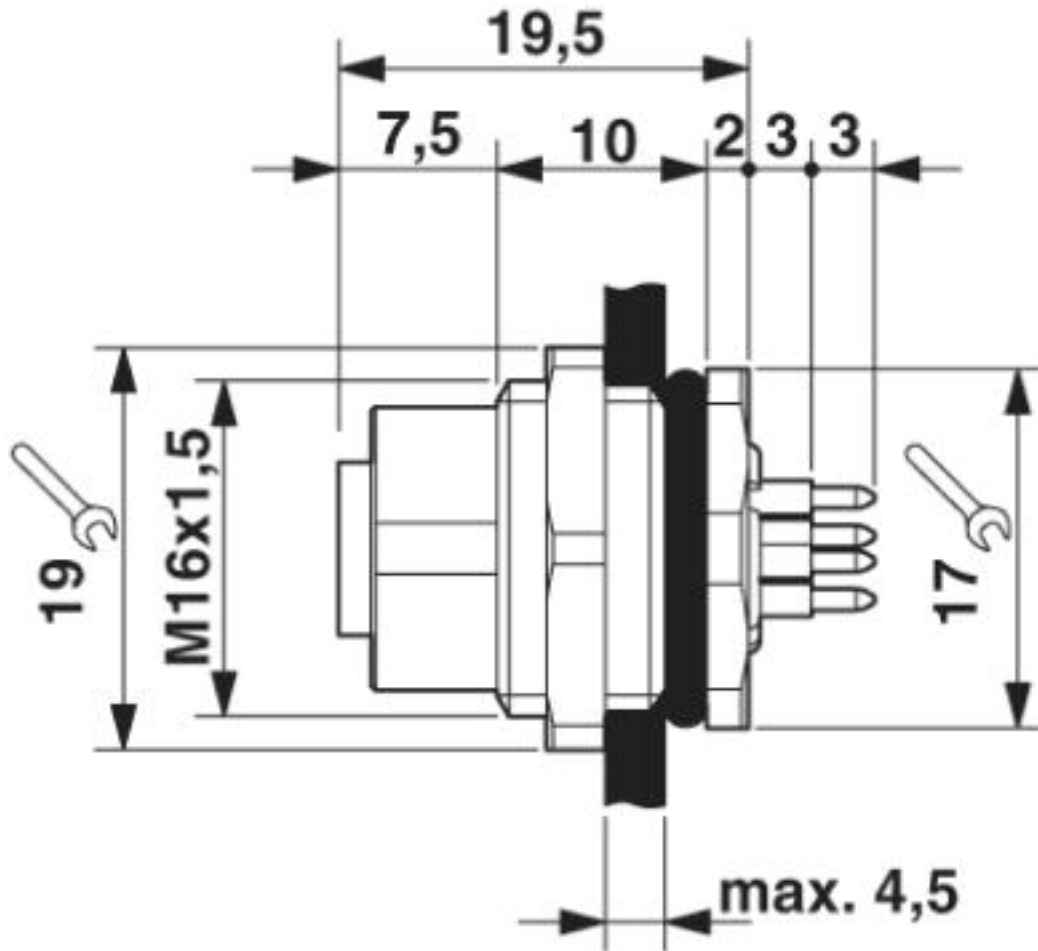
Dimensional drawing



M12 front view

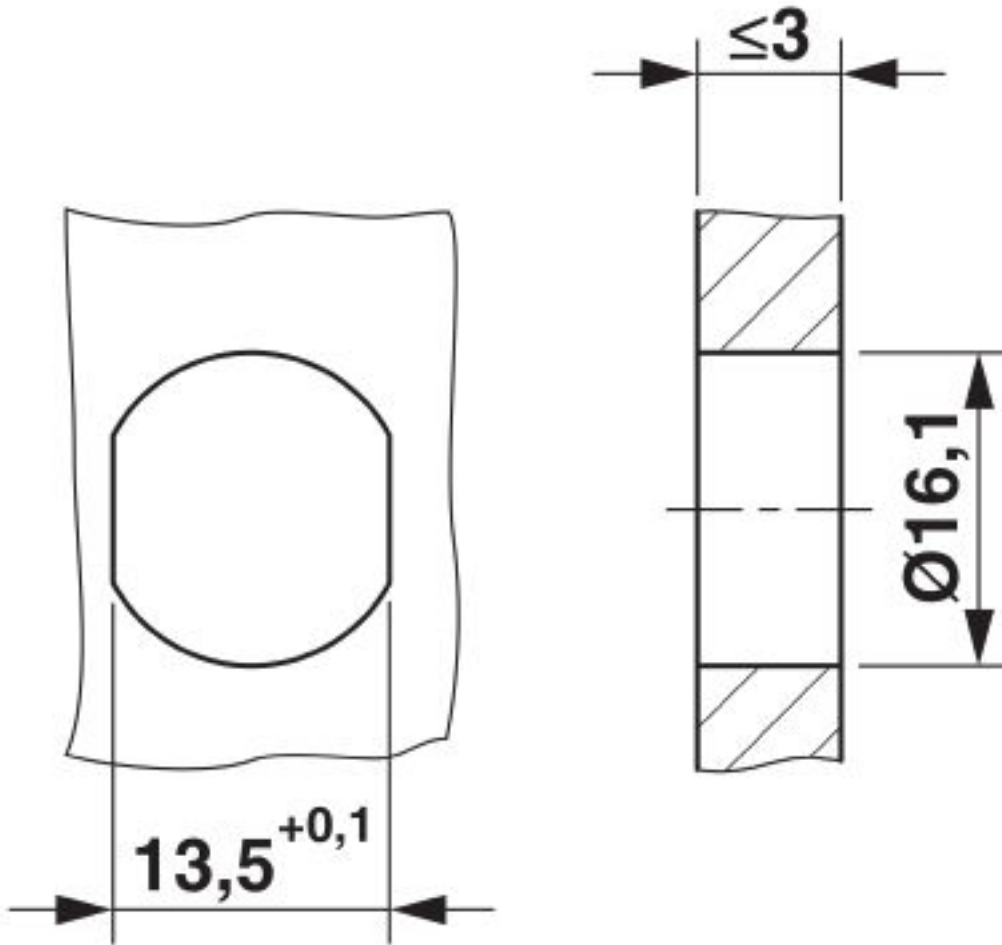
# Panel feed-through - SACC-DSI-M12FS-5CON-M16 - 1441778

Dimensional drawing



# Panel feed-through - SACC-DSI-M12FS-5CON-M16 - 1441778

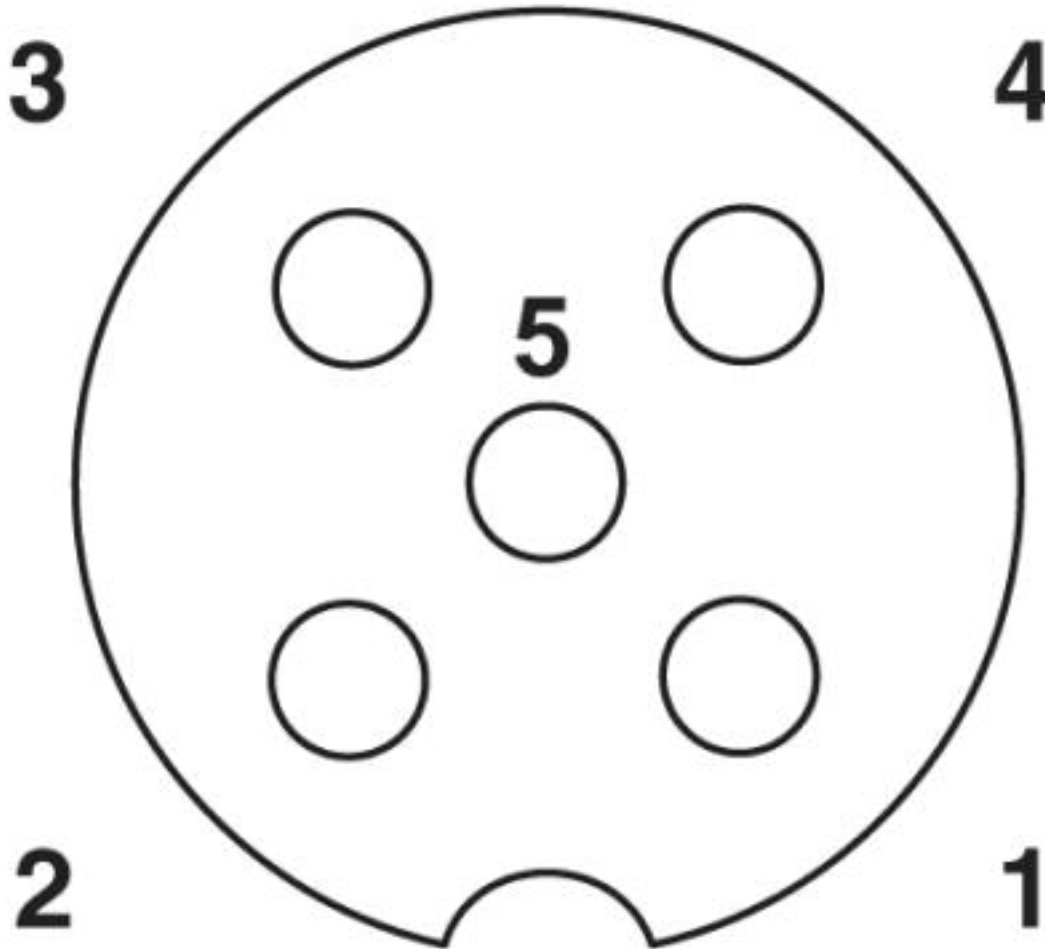
Dimensional drawing



Housing cutout for M16 fastening thread, mounting panel with feed-through hole (alternatively with area as anti-rotation protection for panel thicknesses > 2 mm up to max. 4.5 mm)

# Panel feed-through - SACC-DSI-M12FS-5CON-M16 - 1441778

Schematic diagram



Pin assignment M12 socket, 5-pos., A-coded, socket side view

## Classifications

eCl@ss

|               |          |
|---------------|----------|
| eCl@ss 10.0.1 | 27440102 |
| eCl@ss 4.0    | 27140800 |
| eCl@ss 4.1    | 27140800 |
| eCl@ss 5.0    | 27143400 |
| eCl@ss 5.1    | 27143400 |
| eCl@ss 6.0    | 27279200 |
| eCl@ss 7.0    | 27440103 |
| eCl@ss 8.0    | 27440103 |

# Panel feed-through - SACC-DSI-M12FS-5CON-M16 - 1441778

## Classifications

eCl@ss

|            |          |
|------------|----------|
| eCl@ss 9.0 | 27440102 |
|------------|----------|

### ETIM

|          |          |
|----------|----------|
| ETIM 2.0 | EC001297 |
| ETIM 3.0 | EC002061 |
| ETIM 4.0 | EC002061 |
| ETIM 5.0 | EC002061 |
| ETIM 6.0 | EC002061 |

### UNSPSC

|               |          |
|---------------|----------|
| UNSPSC 6.01   | 31251501 |
| UNSPSC 7.0901 | 31251501 |
| UNSPSC 11     | 31251501 |
| UNSPSC 12.01  | 31251501 |
| UNSPSC 13.2   | 39121413 |

## Approvals


### Approvals


Approvals

EAC / cULus Recognized

Ex Approvals

### Approval details

|     |   |         |
|-----|---|---------|
| EAC |  | B.01742 |
|-----|---|---------|

|                    |   |   |                  |
|--------------------|---|---|------------------|
| cULus Recognized   |  | <a href="http://database.ul.com/cgi-bin/XYV/template/LISEXT/1FRAME/index.htm">http://database.ul.com/cgi-bin/XYV/template/LISEXT/1FRAME/index.htm</a> | E221474-20140616 |
| Nominal voltage UN | 60 V  |   |                  |
| Nominal current IN | 4 A   |   |                  |

## Panel feed-through - SACC-DSI-M12FS-5CON-M16 - 1441778

### Approvals

|                            |       |
|----------------------------|-------|
| mm <sup>2</sup> /AWG/kcmil | 22-20 |
|----------------------------|-------|

### Accessories

#### Accessories

#### Protective cap

Screw plug - PROT-M12 - 1680539



An M12 screw plug for the unoccupied M12 sockets of the sensor/actuator cable, boxes and flush-type connectors

Screw plug - PROT-M12 SH - 1503302



An M12 screw plug for the unoccupied M12 sockets of the shielded sensor/actuator cable, boxes and flush-type connectors

Screw plug - PROT-M12 FB - 1555538



M12 high-grade steel screw plug, for unoccupied M12 sockets of the sensor/actuator cables, boxes and flush-type connectors for the food industry

#### Seal

Flat gasket - SACC-M16-SEAL CLM - 1430394



M16 flat gasket, for rear mounting of M12 flush-type connectors with M16 fastening thread

