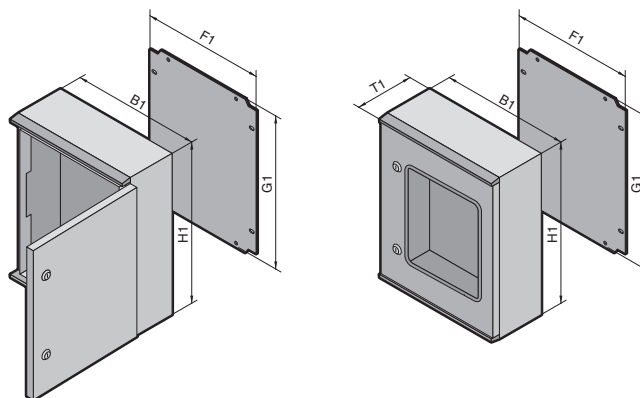


# Plastic enclosures KS

Width: 200 – 600, height: 300 – 600



1.2 Plastic enclosures KS

**Material:**

Enclosure and door:  
Fibreglass-reinforced polyester unsaturated polyester  
Mounting plate:  
Sheet steel  
For KS with viewing window:  
Glazed acrylic,  
3.0 mm with all-round rubber cable clamp strip

**Surface finish:**

Enclosure and door:  
No after-treatment, dyed plastic, similar to RAL 7035  
Mounting plate: Zinc-plated

**Protection category:**

KS without viewing window:  
IP 66 to EN 60 529/09.2000, complies with NEMA 4x.

KS with viewing window:  
IP 56 to EN 60 529/09.2000, complies with NEMA 12.

**Supply includes:**

Enclosure of solid all-round construction, r/h door hinge, may be swapped to opposite side by rotating the enclosure, mounting plate, all-round foamed-in PU seal in the door, twin seal on the top and bottom edges (integral rain protection strip), press-fitted C sections at the sides for infinitely variable mounting plate depth adjustment.

**Note:**

Under the influence of long-term UV radiation (sunlight) in conjunction with wind and rain, the surface finish may become visually impaired. In other words, the fibreglass becomes visible on unprotected surfaces. This does not impair the protection of the installed electrical components in any way. All other surface finishes are likewise impaired by ultra-violet radiation. If the enclosures cannot be protected from radiation, e.g. via a sun canopy, we recommend that they should be painted with a PUR paint. Older enclosures where the surface finish already reveals visible fibreglass can

likewise be treated in this way after thorough cleaning. Of course, all enclosures can also be supplied spray-finished in RAL colours. For outdoor siting, we recommend pale shades. Permissible ambient temperature -30°C to +75°C.

**Approvals,**  
see page 29.

**Detailed drawing,**  
see page 1182.

	Packs of	Without viewing window							With viewing window			
Width (B1) mm		200	250	300	400	400	500	600	400	400	500	600
Height (H1) mm		300	350	400	400	600	500	600	400	600	500	600
Depth (T1) mm		150	150	200	200	200	300	200	200	200	300	200
Mounting plate width (F1) mm		145	195	245	345	345	417	545	345	345	417	545
Mounting plate height (G1) mm		250	300	350	350	550	450	550	350	550	450	550
Mounting plate thickness mm		2.0	2.0	2.0	2.5	2.5	2.5	2.5	2.5	2.5	2.5	2.5
<b>Model No. KS</b>	<b>1</b>	<b>1423.500</b>	<b>1432.500</b>	<b>1434.500</b>	<b>1444.500</b>	<b>1446.500</b>	<b>1453.500</b>	<b>1466.500</b>	<b>1448.500</b>	<b>1449.500</b>	<b>1454.500</b>	<b>1467.500</b>
Door(s)		1	1	1	1	1	1	1	1	1	1	1
Weight (kg)		3.0	4.1	6.0	7.9	11.5	12.9	15.9	8.0	11.5	13.4	15.9

**Lock systems**

Standard double-bit lock insert may be exchanged for lock inserts, type E, see page 956, and plastic handles, type E, see page 954.



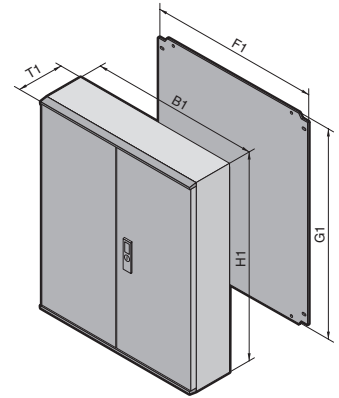
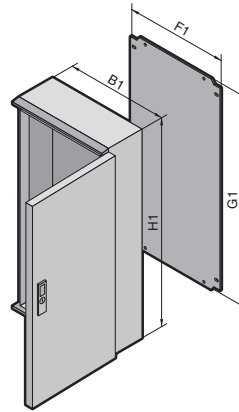
**Cable gland, polyamide,**  
Model No. see page 1054.



**Wall mounting bracket,**  
Model No. see page 975.

# Plastic enclosures KS

Width: 600 – 1000, height: 800 – 1000



Plastic enclosures KS 1.2

**Material:**

Enclosure and door: Fibreglass-reinforced unsaturated polyester  
Mounting plate: Sheet steel  
For KS with viewing window: Glazed acrylic, 3.0 mm with all-round rubber cable clamp strip

**Surface finish:**

Enclosure and door: No after-treatment, dyed plastic, similar to RAL 7035  
Mounting plate: Zinc-plated

**Protection category:**

IP 56 to EN 60 529/09.2000, complies with NEMA 12.  
IP 66 to EN 60 529/09.2000, complies with NEMA 4 for KS 1468.500, KS 1480.500.

**Supply includes:**

Enclosure of solid all-round construction, r/h door hinge, may be swapped to opposite side by rotating the enclosure (only with single-door models), mounting plate, all-round foamed-in PU seal in the door, twin seal on the top and bottom edges (integral rain protection strip), press-fitted C sections at the sides for infinitely variable mounting plate depth adjustment.

KS 1400.500 additionally with removable centre bar in the enclosure.

**Note:**

Under the influence of long-term UV radiation (sunlight) in conjunction with wind and rain, the surface finish may become visually impaired. In other words, the fibreglass becomes visible on unprotected surfaces. This does not impair the protection of the installed electrical components in any way. All other surface finishes are likewise impaired by ultra-violet radiation. If the enclosures cannot be protected from radiation, e. g. via a sun canopy, we recommend that they should be painted with a PUR paint. Older enclosures where the surface finish already reveals visible fibreglass can likewise be treated in this way after thorough cleaning.

Of course, all enclosures can also be supplied spray-finished in RAL colours. For outdoor siting, we recommend pale shades. Permissible ambient temperature -30°C to +75°C.

**Approvals,** see page 29.

**Detailed drawing,** see page 1183.

	Packs of	Without viewing window			With viewing window	
<b>Width (B1) mm</b>		600	800	1000	600	800
<b>Height (H1) mm</b>		800	1000	1000	800	1000
<b>Depth (T1) mm</b>		300	300	300	300	300
Mounting plate width (F1) mm		517	717	917	517	717
Mounting plate height (G1) mm		750	950	950	750	950
Mounting plate thickness mm		3.0	3.0	3.0	3.0	3.0
<b>Model No. KS</b>	1	<b>1468.500</b>	<b>1480.500</b>	<b>1400.500</b>	<b>1469.500</b>	<b>1479.500</b>
Door(s)		1	1	2	1	1
Weight (kg)		26.0	39.0	50.0	25.5	33.0

**Lock systems**

Standard double-bit lock insert may be exchanged for lock inserts, type E, see page 956, and Ergoform-S lock system, KS 1490.010, see page 953.



**Cable ducts,** Model No. see page 1060.



**Signal pillar LED compact,** protection category IP 65, Model No. see page 1125.

# Industrial Enclosures

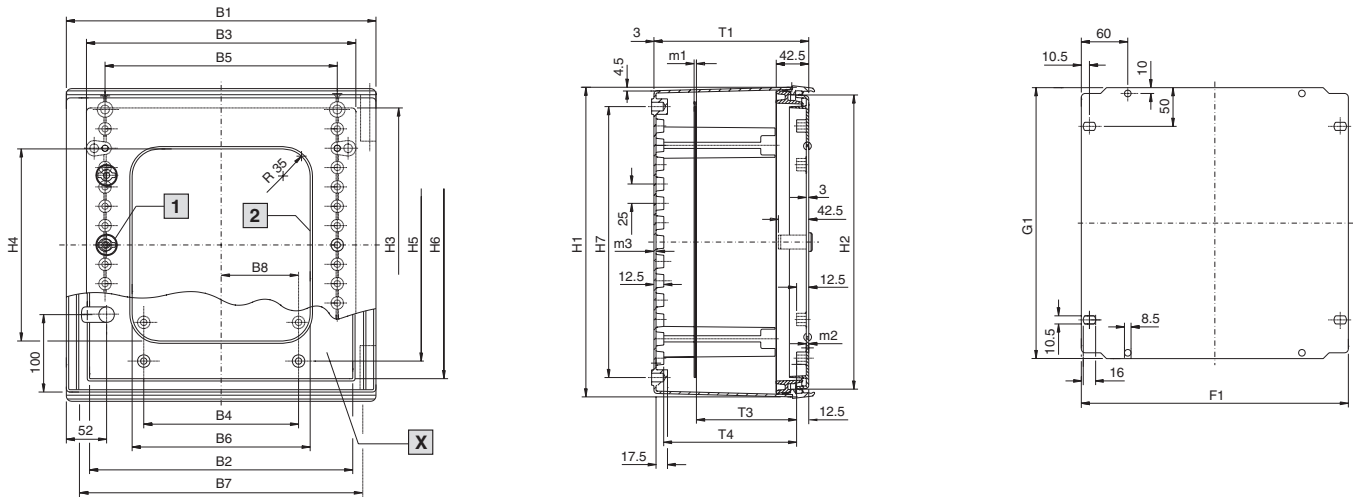
## Compact enclosures

### 1.2 Plastic enclosures KS/Ex enclosures, plastic

Page 134/326

KS 1423.500, KS 1432.500, KEL 9201.600 and KEL 9202.600  
with only one cam in the centre

Mounting plate



B7 = Separation width for wall mounting hole

H7 = Separation height for wall mounting hole

- 1** Only KS 1423.500, KS 1432.500, KEL 9201.600 and KEL 9202.600
- 2** Viewing window only with KS 1448.500, KS 1449.500, KS 1454.500, KS 1467.500
- X** Door interior view

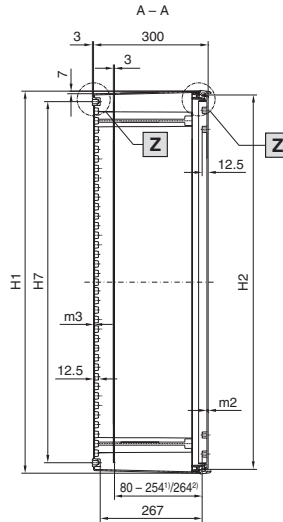
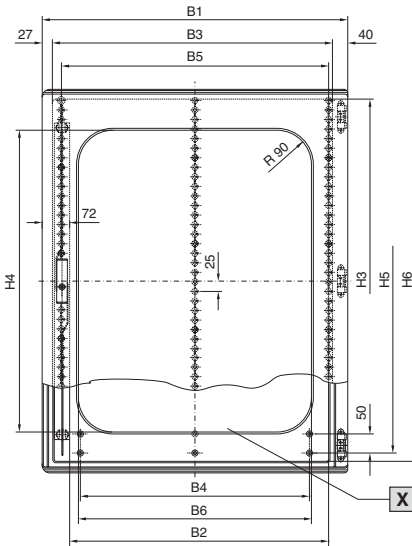
Model No. KS	Model No. KEL	Width dimensions mm								Height dimensions mm							Depth dimensions mm			Mounting plates mm				
		B1	B2	B3	B4	B5	B6 <sup>1)</sup>	B7	B8	H1	H2	H3	H4 <sup>1)</sup>	H5	H6	H7	T1	T3	T4	m1	m2	m3	F1	G1
1423.500	9201.600	200	140	150	-	100	-	150	25	300	280	256	-	200	245	250	150	80 - 110/117	119	2.0	3.0	3.0	145	250
1432.500	9202.600	250	190	200	75	150	-	200	50	350	330	306	-	250	295	300	150	80 - 110/117	119	2.0	3.0	3.0	195	300
1434.500	9203.600	300	240	249	100	200	-	250	50	400	380	355	-	300	345	350	200	80 - 160/167	169	2.0	3.0	3.0	245	350
1444.500/ 1448.500	9204.600	400	340	348	200	300	230	350	100	400	380	354	250	300	345	350	200	80 - 159/166	168.5	2.5	3.2	3.2	345	350
1446.500/ 1449.500	9205.600	400	340	348	200	300	230	350	100	600	580	554	450	500	545	550	200	80 - 158/165	168	2.5	3.5	3.5	345	550
1466.500/ 1467.500	9206.600	600	540	548	400	500	430	550	200	600	580	554	450	500	545	550	200	80 - 158/165	168	2.5	3.5	3.5	545	550
1453.500/ 1454.500	9207.600	500	440	434	300	400	330	450	150	500	480	454	350	400	445	450	300	80 - 258/265	268	2.5	3.5	3.5	417	450

<sup>1)</sup> Only in enclosures with viewing window.

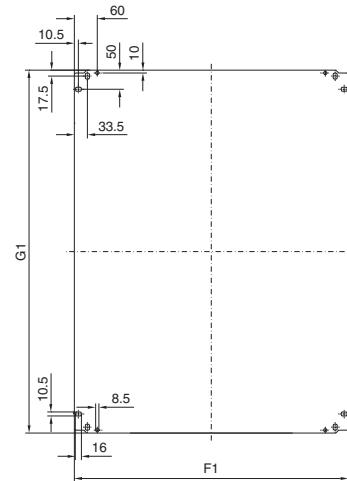
### 1.2 Plastic enclosures KS/Ex enclosures, plastic

Page 135/326

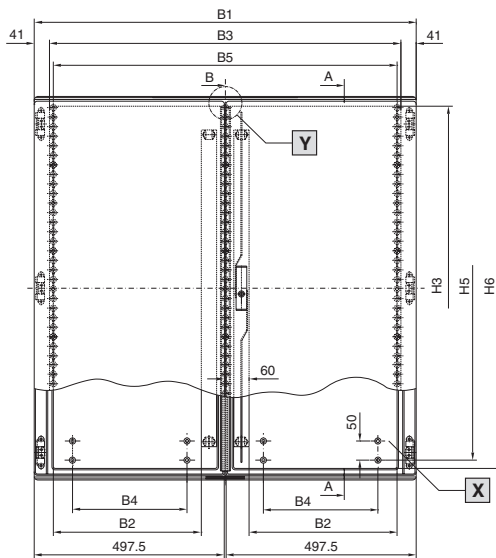
KS 1469.500/KS 1479.500  
 KS 1468.500/KS 1480.500 without viewing window  
 KEL 9208.600/KEL 9209.600 without viewing window



Mounting plate



KS 1400.500



- 1) Infinite with mounting plate depth adjustment KS 1491.000
- 2) When mounting on studs directly on the threaded insert

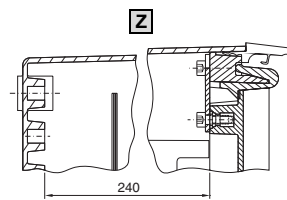
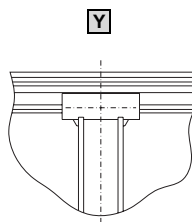
B7 = Separation width  
 Wall mounting hole

H7 = Separation height  
 Wall mounting hole

**X** Door interior view

**Y** Screw-fastened centre bar for KS 1400.500

**Z** Distance from mounting insert to centre bar



Model No. KS	Model No. KEL	Width dimensions mm							Height dimensions mm							Mounting plates mm			
		B1	B2	B3	B4	B5	B6 <sup>1)</sup>	B7	H1	H2	H3	H4 <sup>1)</sup>	H5	H6	H7	m2	m3	G1	F1
1468.500/1469.500	9208.600	600	485	533	400	500	410	550	800	780	753	590	700	740	750	3.7	3.7	750	517
1479.500/1480.500	9209.600	800	685	733	600	700	610	750	1000	980	953	790	900	940	950	3.7	4.0	950	717
1400.500	-	1000	387	918	300	900	-	950	1000	980	952	-	900	940	950	3.5	4.0	950	917

<sup>1)</sup> Only in enclosures with viewing window.