

Patch cable - VS-FSDB-IP20SDA/981/1,0 SCO - 1420168

Please be informed that the data shown in this PDF Document is generated from our Online Catalog. Please find the complete data in the user's documentation. Our General Terms of Use for Downloads are valid (<http://phoenixcontact.com/download>)



Assembled USB cable, shielded, color: black, PVC outer sheath, USB mini-B/IP20 on USB type A/IP20, length: 1 m

RoHS

Key Commercial Data

Packing unit	1 pc
GTIN	 4 046356 548595
GTIN	4046356548595
Weight per Piece (excluding packing)	70.000 g
Custom tariff number	85444290
Country of origin	Poland

Technical data

Note

Trade restriction	The products are offered exclusively for export outside the EU and the European Economic Area.
-------------------	--

Mechanical characteristics

Weight	68.1 g
--------	--------

Ambient conditions

Ambient temperature (operation)	-25 °C ... 80 °C (cable, flexible installation)
Degree of protection	IP20 (USB type A)
	IP65 (M12 mini B)

Material data

Contact surface material	Ni/Au
--------------------------	-------

Patch cable - VS-FSDB-IP20SDA/981/1,0 SCO - 1420168

Technical data

Material data

Contact material	Cu alloy
------------------	----------

Pin assignment

Contact Color (signal designation) Contact (optional)	1 (M12 mini B) RD (+5 V) 1 (USB type A)
	2 (M12 mini B) WH (DATA-) 2 (USB type A)
	3 (M12 mini B) GN (DATA+) 3 (USB type A)
	4 (M12 mini B) N.C.
	5 (M12 mini B) BK (GND) 4 (USB type A)

Standards and Regulations

Flammability rating according to UL 94	V0
--	----

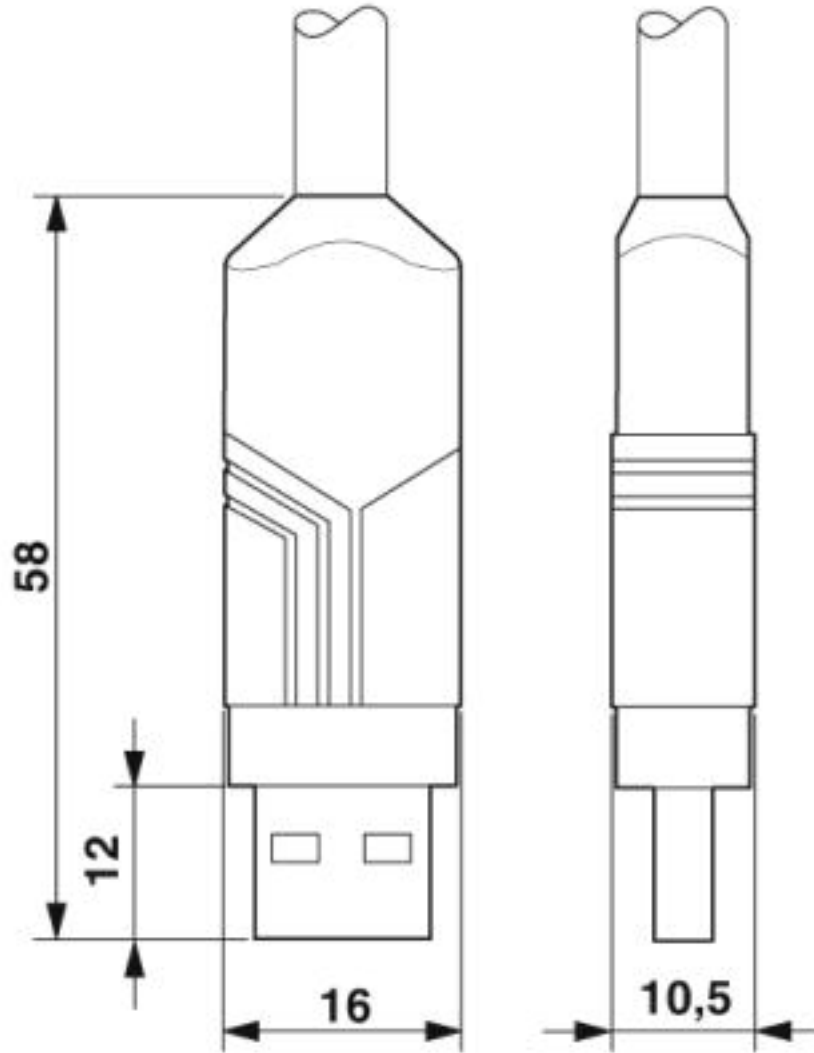
Environmental Product Compliance

China RoHS	Environmentally friendly use period: unlimited = EFUP-e
	No hazardous substances above threshold values

Drawings

Patch cable - VS-FSDB-IP20SDA/981/1,0 SCO - 1420168

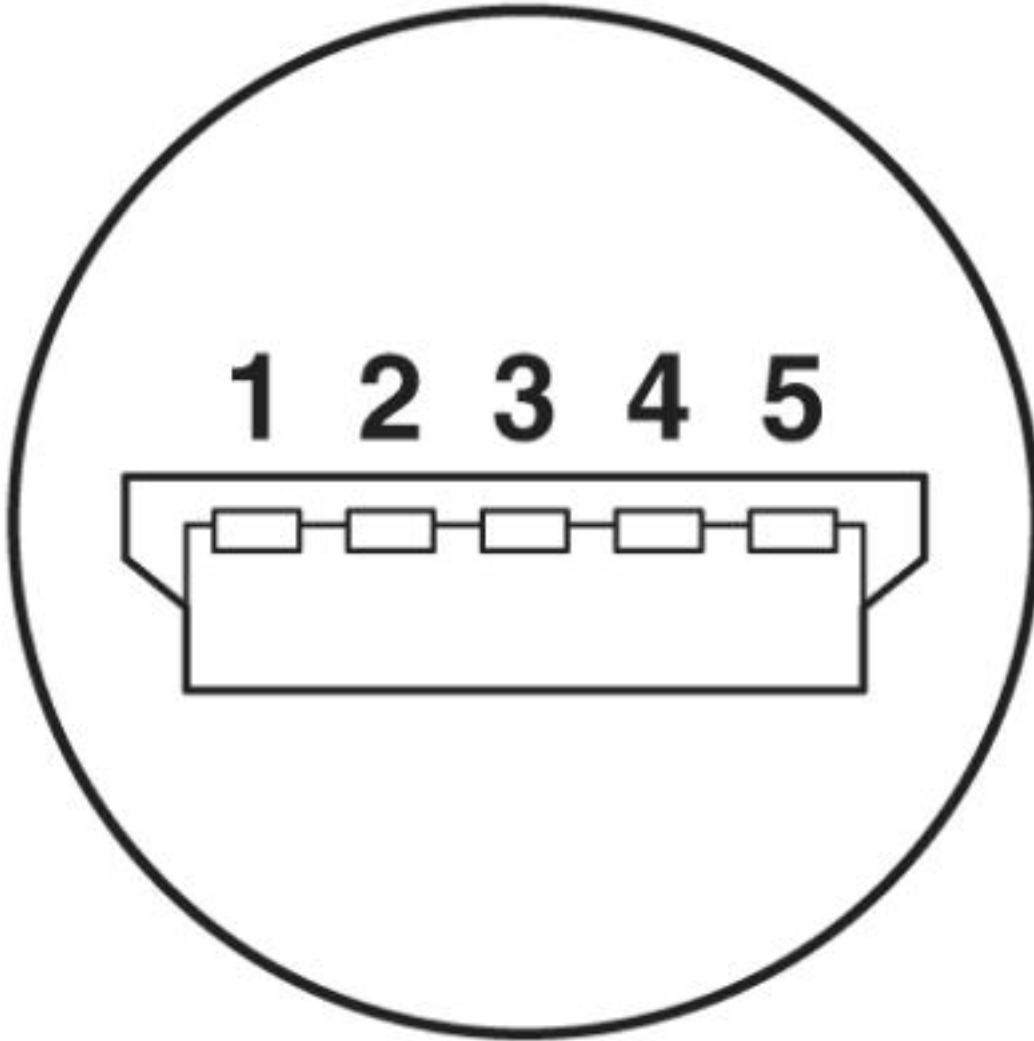
Dimensional drawing



USB connector, type A, Standard

Patch cable - VS-FSDB-IP20SDA/981/1,0 SCO - 1420168

Schematic diagram



Pin assignment plug USB, mini B

Classifications

eCl@ss

eCl@ss 4.0	27260700
eCl@ss 4.1	27260700
eCl@ss 5.0	27260700
eCl@ss 5.1	27269200
eCl@ss 6.0	27269200

Patch cable - VS-FSDB-IP20SDA/981/1,0 SCO - 1420168

Classifications

eCl@ss

eCl@ss 7.0	27060308
eCl@ss 8.0	27060308
eCl@ss 9.0	27060308

ETIM

ETIM 4.0	EC001408
ETIM 5.0	EC002599
ETIM 6.0	EC001262
ETIM 7.0	EC001262

UNSPSC

UNSPSC 6.01	31251501
UNSPSC 7.0901	31251501
UNSPSC 11	31251501
UNSPSC 12.01	31251501
UNSPSC 13.2	26121604
UNSPSC 18.0	26121604
UNSPSC 19.0	26121604
UNSPSC 20.0	26121604
UNSPSC 21.0	26121604